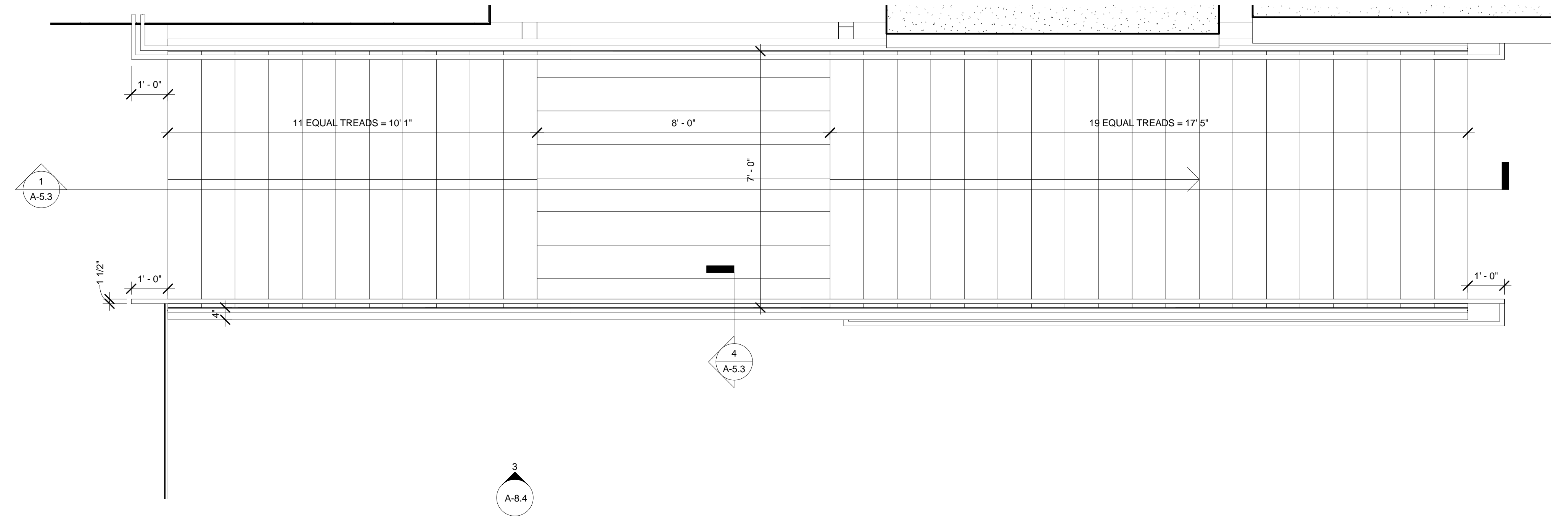
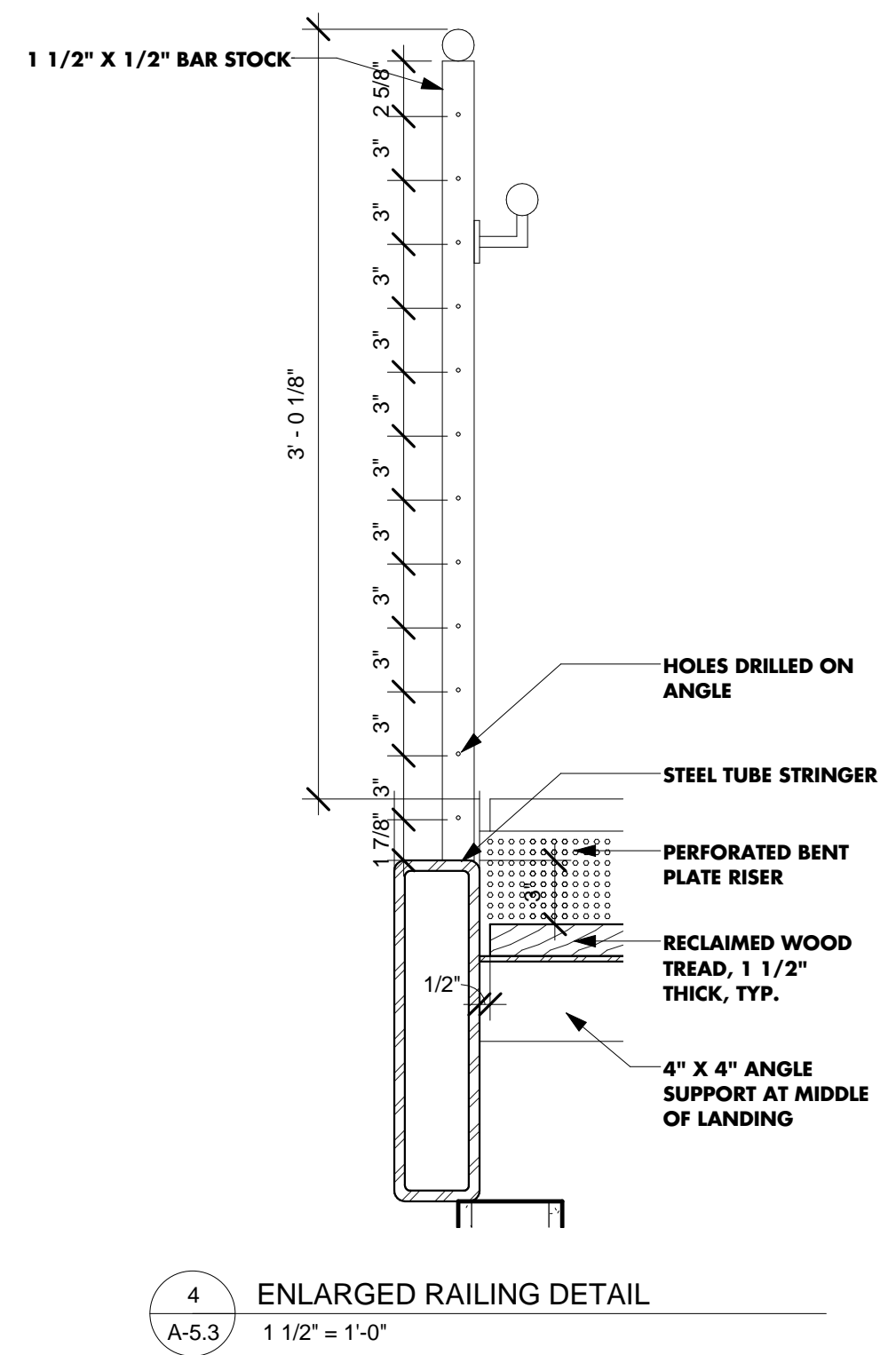


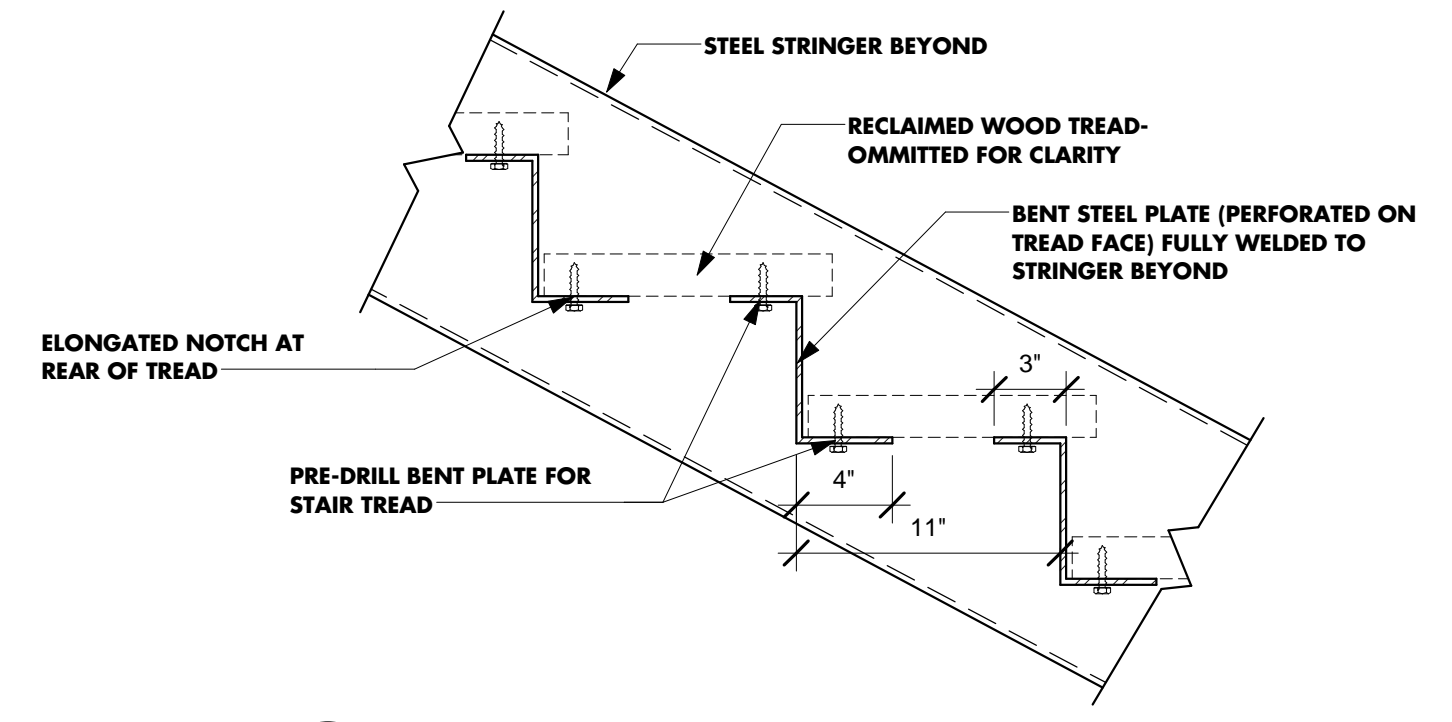
1 MONUMENTAL STAIR SECTION
1/2" = 1'-0"



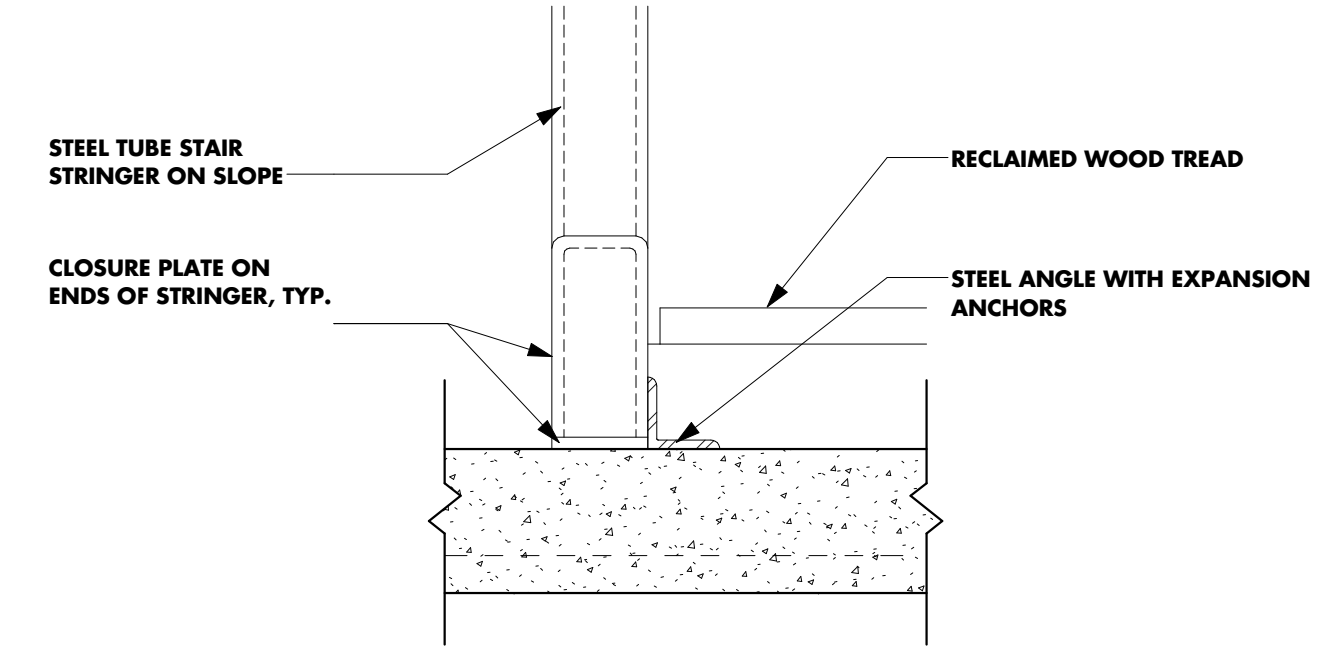
2 ENLARGED PLAN - MONUMENTAL STAIR
1/2" = 1'-0"



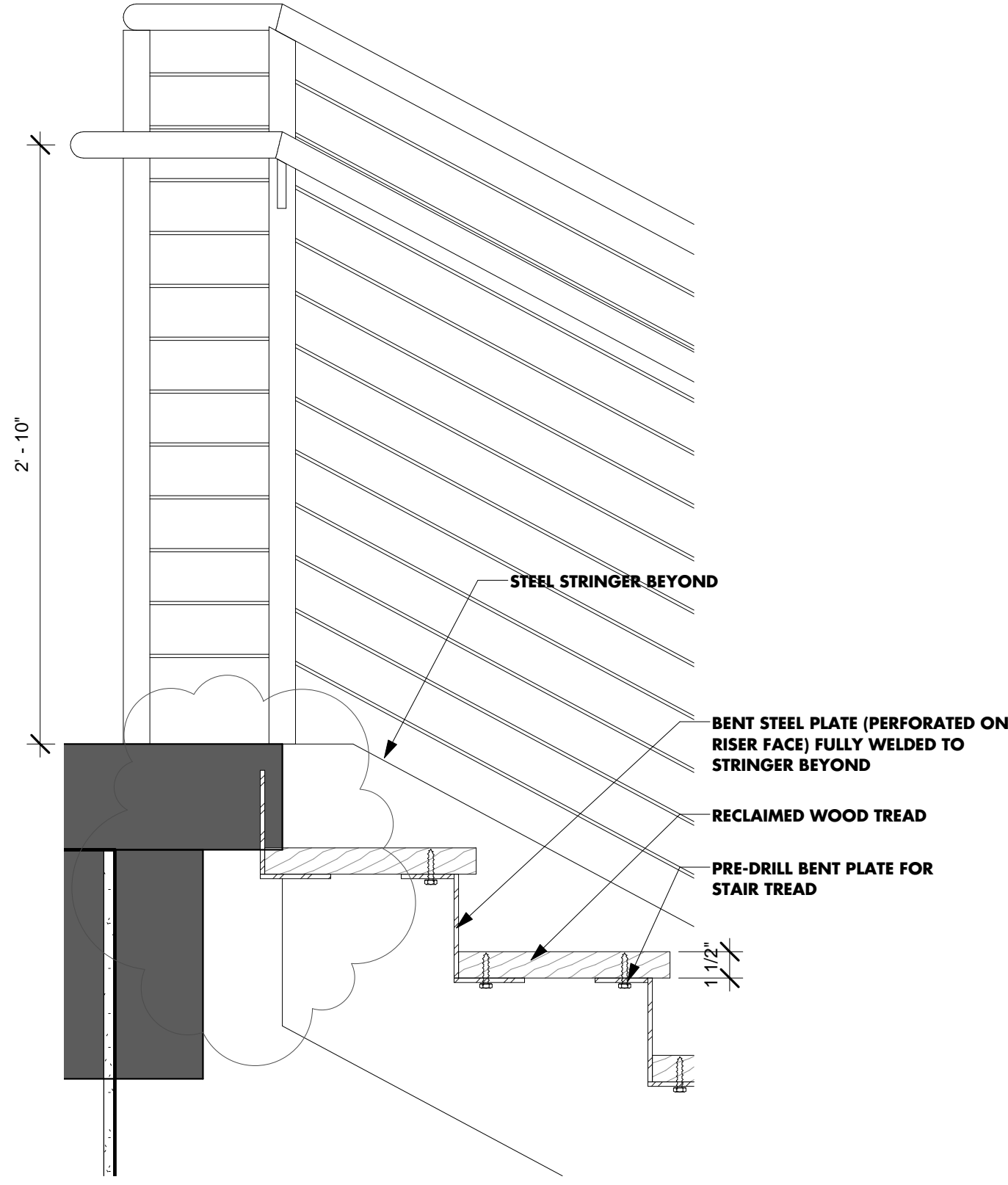
4 ENLARGED RAILING DETAIL
1 1/2" = 1'-0"



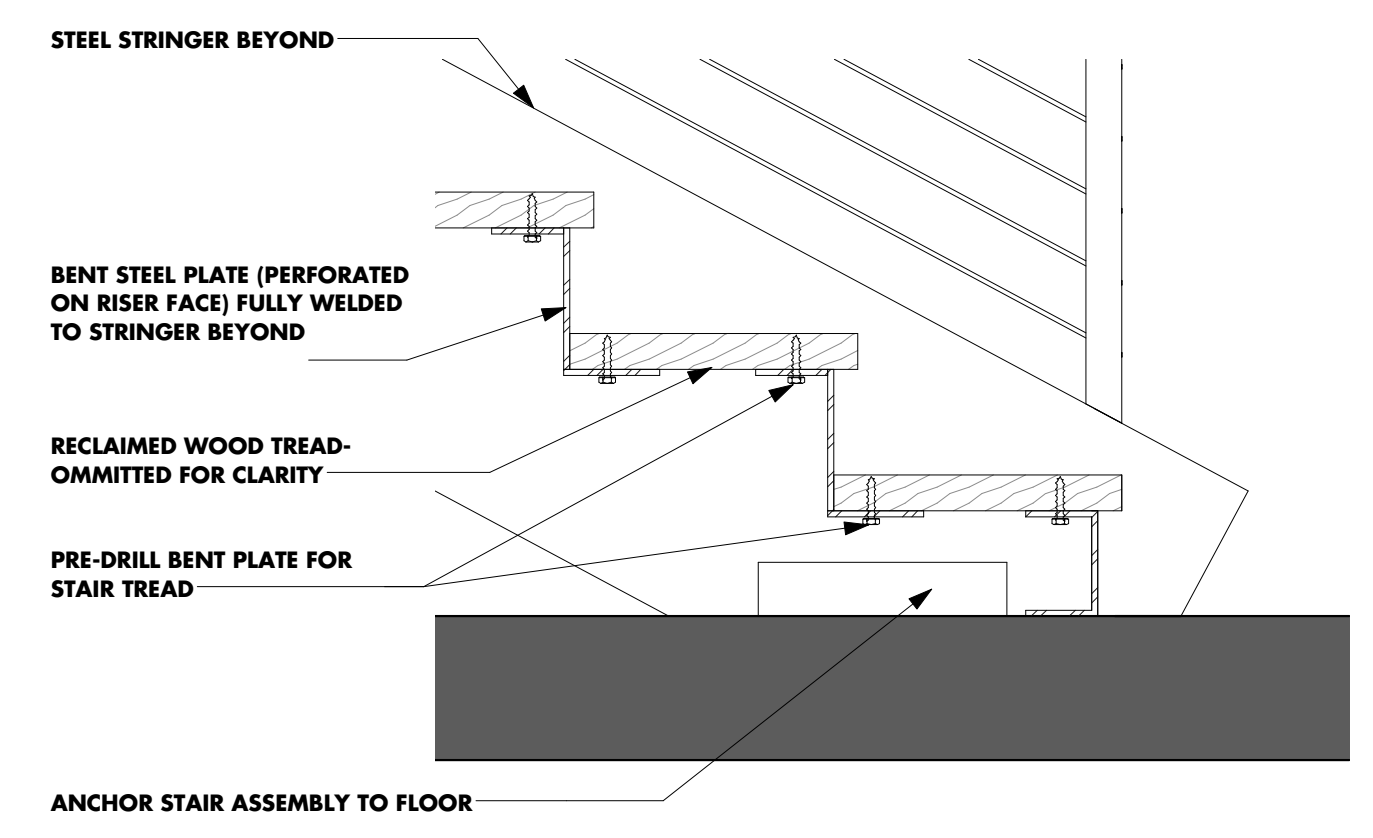
3 TYPICAL DETAIL @ BENT PLATE RISER
1 1/2" = 1'-0"



5 TYPICAL DETAIL @ BASE OF STAIR
1 1/2" = 1'-0"



6 ENLARGED TREAD DETAIL
1 1/2" = 1'-0"



7 ENLARGED TREAD DETAIL - BOTTOM OF MONUMENTAL STAIR
1 1/2" = 1'-0"