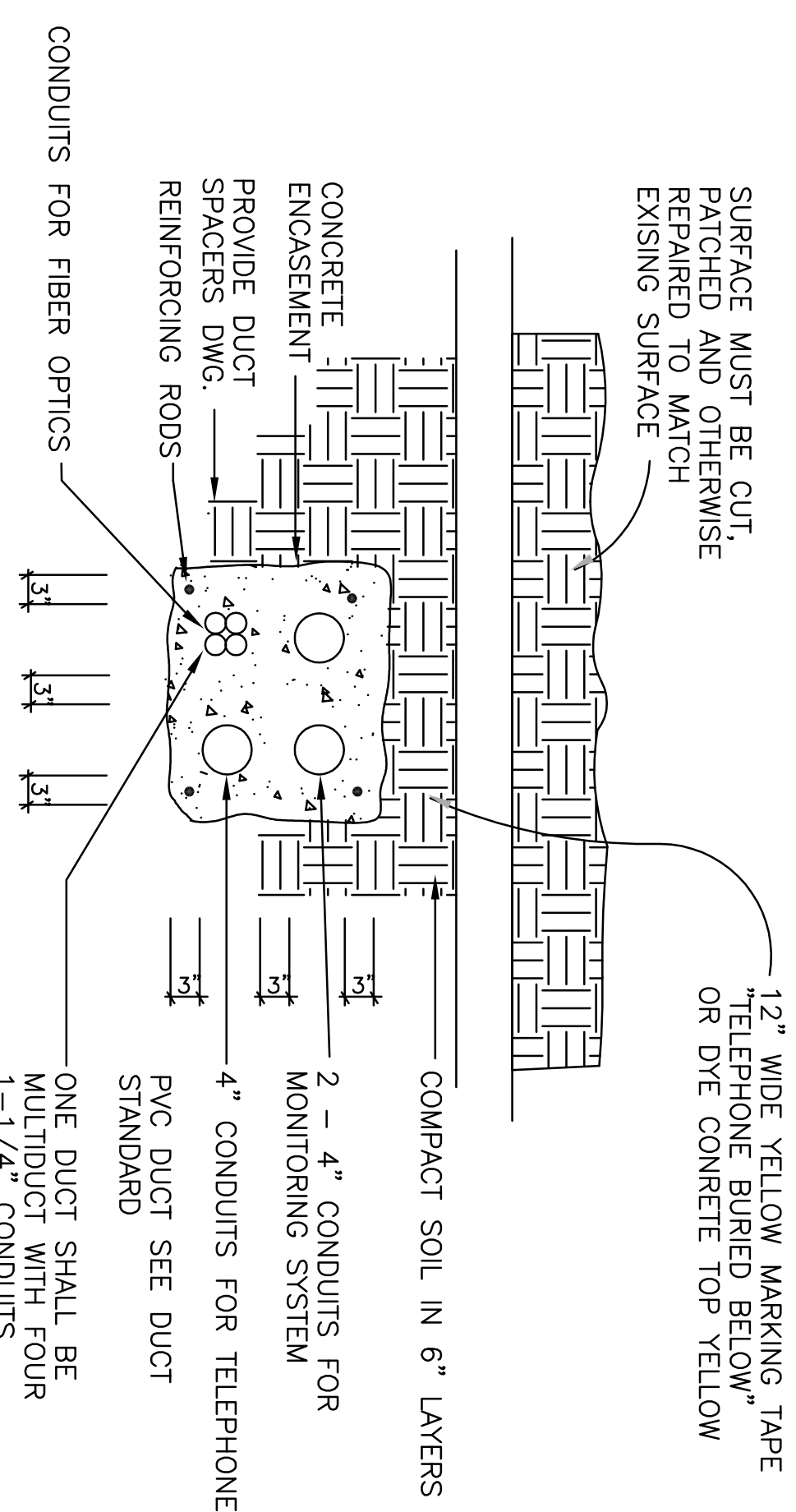
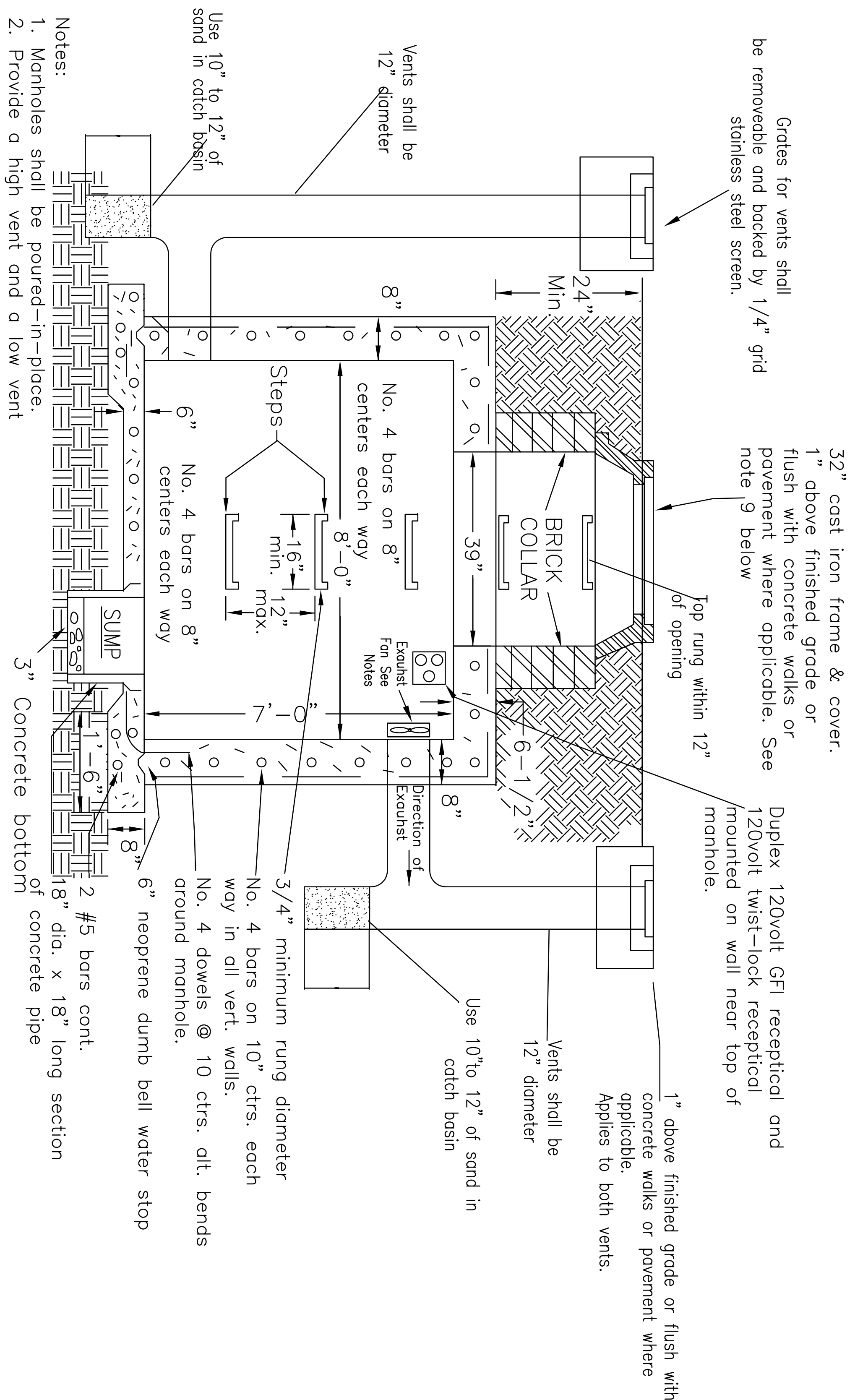


ELECTRICAL PRIMARY DUCT BANK - OVER 600 VOLTS



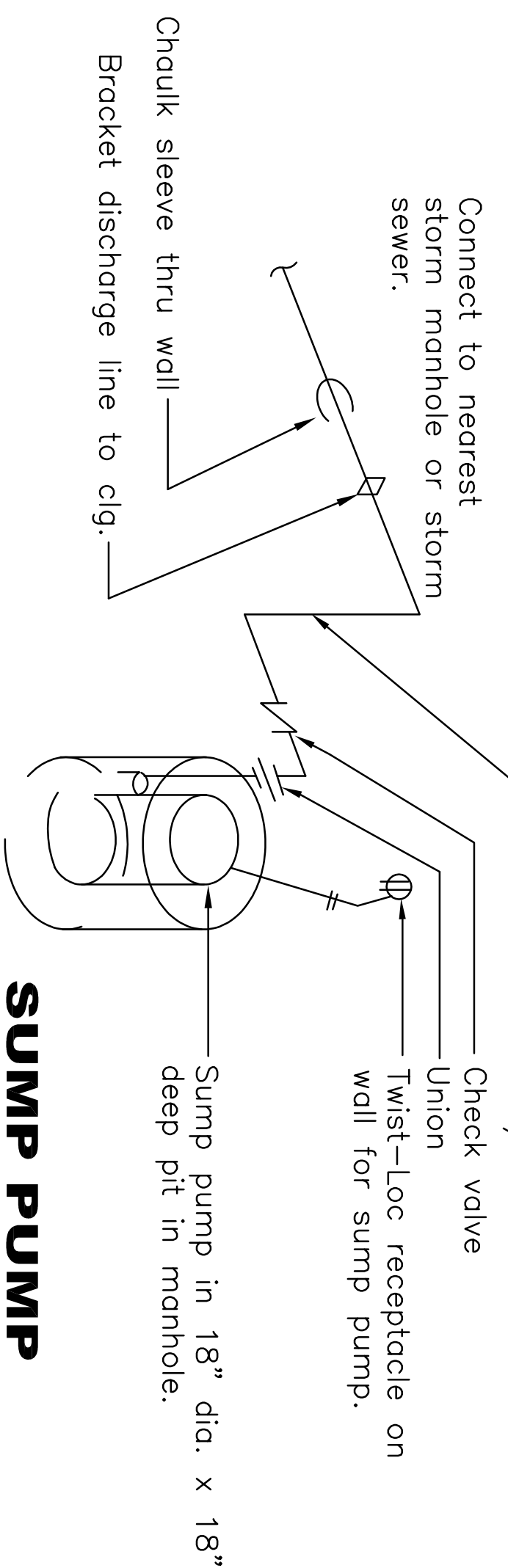
TYPICAL COMMUNICATION BANK

- Notes:
1. Top of concrete encasement shall be installed a minimum of 24" below finished grade.
 2. Provide protective fence if trench is outside of construction area.



CROSS SECTION
NOT TO SCALE

- Notes:
1. Manholes shall be poured-in-place.
 2. Provide a high vent and a low vent.
 3. Total size of manhole shall be a minimum of 8' x 12' x 7'.
 4. Provide pulling eyes one per wall minimum and opposite all duct banks.
 5. Provide vaporproof fluorescent light with switch at manhole opening.
 6. Waterproof exterior surfaces below grade portion of sides and tops of manholes.
 7. Provide Bell Ends on conduit.
 8. H-20 truck loading on ALL manholes.
 9. Flush mounted fabricated Aluminum cover allowed in non-traffic areas, 32" diameter clear opening must be maintained as well as H-20 loading.
 10. Exhaust Fan to meet OSHA requirements.
 11. Minimum Rebar indicated - Provide to meet structural design.
 12. All electrical conduit and boxes are to be PVC.
 12. For additional specifications, refer to UKPPD Guideline 02605S01.



SUMP PUMP
NOT TO SCALE

ELECTRICAL MANHOLE DETAIL

NOT TO SCALE

