



Z5615.258.00.00.00

UKA12
P-1:PIA

1.28 GPF Elongated Wall Hung EcoVantage® TAG
Manual Flush Valve Toilet System



Z5615 HET Series

- Zurn One HET Toilet System designed for optimal performance between Zurn fixture and Zurn flush valve to save water.
- 1.28 gpf (gallons per flush) 4.8 Lpf
- 20% water savings over standard 1.6 gpf system
- Vitreous china
- Elongated front rim
- 2-1/8" fully glazed trapway
- High efficiency siphon jet flush action
- Zurn product system component compatibility and quality assurance
- Shipping Weight: 40 lbs.

Z5615 Series

Suffix Options:

- RF Retro-Fit Nut Kit for extending carrier studs from existing wall.

Recommended Trim:

- Z5955SS-EL Elongated, standard white, open front toilet seat less cover with stainless steel check hinge.

*Note: To ensure system performance:
Minimum Running Water Pressure = 25 psi*

These dimensions and specifications are subject to change without notice.

Fixture dimensions meet ANSI/ASME standard A112.19.2 and CAN/CSA B45 requirements.

Meets the American Disabilities Guidelines and ANSI A117.1 requirements when installed according to these requirements.



EcoVantage® is a registered trademark of Zurn Industries

- Engineering Specification: Z5615.258.00.00.00 EcoVantage® High Efficiency Toilet System**
-System comes complete with exposed manual Z6000AV-HET high efficiency flushometer valve and vitreous china wall-hung toilet. The system is designed to perform to industry standards with as little as 1.28 gallons per flush. The EcoVantage® manual valve is an exposed, quiet diaphragm type that is complete with Zurn's AquaVantage® TPE, chloramine resistant, dual seal diaphragm with a clog resistant filtered by-pass. The valve has a non-hold open and no leak handle feature, high back pressure vacuum breaker, one piece hex coupling nut, adjustable tailpiece, spud coupling and flange for top spud connection. Control stop has internal siphon guard protection. Internal seals are made of chloramine resistant materials. Vitreous china toilet is 1-1/2" top spud with 2-1/8" fully glazed trapway and siphon jet action. Valve and toilet are an engineered system designed to provide optimal performance and 20% water savings over 1.6 gpf conventional toilets.

This space is for Architectural/engineering Approval

See Zurn One Systems for suggested packages.

Zurn Industries, Commercial Fixtures

5900 Elwin Buchanan Drive - Sanford, NC 27330 · Phone: 919-775-2255 · Fax: 919-775-3541 · www.zurn.com

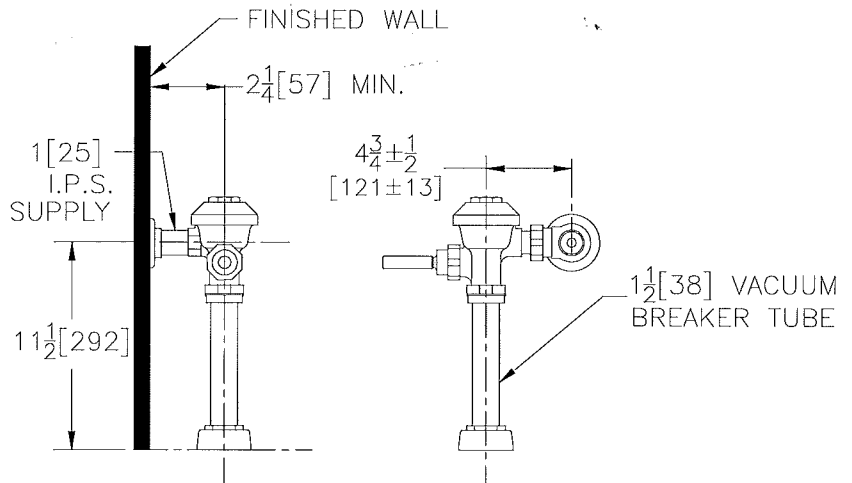
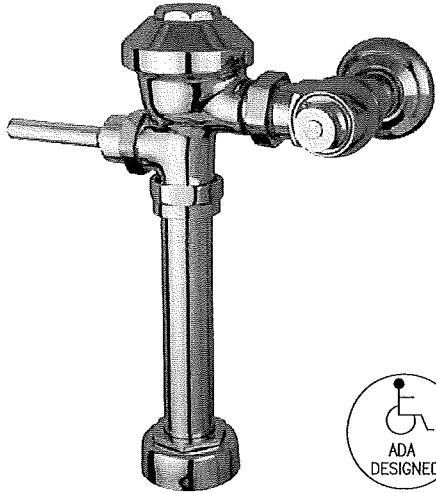


Aquaflush®

TAG _____

P-1: (A)

Z6000 Model for Water Closets



Flow Options

- WS1 1.6 Gal. Low Consumption Flush
- WS 3.5 Gallons Per Flush
- FF 4.5 Gal. Full Flush

Suffix Options (Check/Specify Appropriate Options)

- BG BioCare™ ADA Handle
- DF Dual Flush 1.6/1.1 gpf
- H Handle on Front of Flush Valve
- HL 1" [25] Metal Push Button
- HL3 3" [76] Metal Push Button
- VC Vandal Resistant Stop Cover
- YB Sweat Solder Kit
- YC Cast Wall Flange
- YJ Split Ring Pipe Support
- YK Solid Ring Pipe Support
- Other

ENGINEERING SPECIFICATION: ZURN Z6000 Aquaflush Exposed Closet Flush Valve - Exposed, quiet diaphragm-type, chrome plated flushometer valve with a polished exterior. Complete with a chloramine resistant, dual seal diaphragm with a clog resistant by-pass. The valve is ADA compliant with a non-hold-open and no leak handle feature, high back pressure vacuum breaker, one piece hex coupling nut, adjustable tailpiece, spud coupling and flange for top spud connection. Control stop has internal siphon-guard protection. Internal seals are made of chloramine resistant materials.

- Z6000PL - Aquaflush Plus is furnished as specified above and includes sweat solder kit, vandal resistant stop cap, and cast wall flange with set screw. **Complete with a chloramine resistant, dual seal diaphragm with a clog resistant by-pass.**

Architectural/Engineering Approval

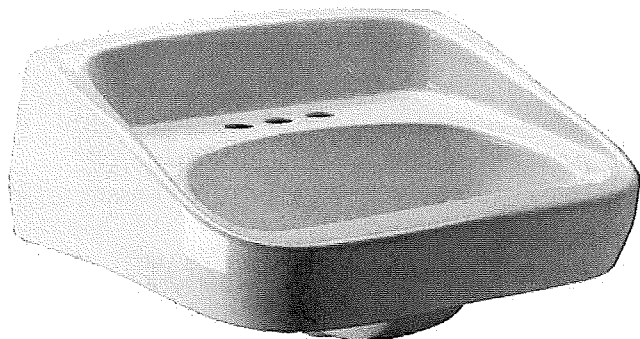
ZURN INDUSTRIES, LLC. ♦ COMMERCIAL BRASS OPERATION ♦ 5900 ELWIN BUCHANAN DRIVE ♦ SANFORD NC 27330
 PHONE: 1-800-997-3876 ♦ FAX: 919-775-3541 ♦ WORLD WIDE WEB: WWW.ZURN.COM
 IN CANADA: ZURN INDUSTRIES LIMITED ♦ 3544 NASHUA DRIVE ♦ MISSISSAUGA, ONTARIO L4V1L2 ♦ PHONE: 905-405-8272 FAX: 905-405-1292



Z5360

20" x 18" High Back Wall Hung Lavatory

TAG _____



Z5360 Series

- 20" [508 mm] x 18" [457 mm]
- Vitreous china
- 4" high back splash
- Faucet holes for single, 4", or 8" centers
- Wall hung lavatory provided with wall hanger or for use with concealed arm carrier systems
- Front overflow
- Waste: 1-1/4" O.D.
- Depth: 5-3/4"
- Shipping weight: 42 lbs.

Z5360 Series

Suffix Options:

___ -PED Vitreous China Half Pedestal.

Recommended Trim:

- Z8743-PC** Grid Strainer.
- Z8700** Series P-Trap.
- Z8800** Series Stop with Flexible Supplies.
- Z8946-1-NT** ADA Trap, Stop, and Supply Protectors.

Optional Trim:

- Z8746-PC** ADA Grid Strainer.
- Z8946-3-NT** ADA Trap, Stop, and Supply Protectors for Offset Grid Strainers.

Engineering Specification:

- Z5361** 20" x 18" vitreous china wall hung lavatory with single faucet hole. Provided with hanger plate and holes for concealed arm carrier systems.
- Z5364** 20" x 18" vitreous china wall hung lavatory with 4" center faucet holes. Provided with hanger plate and holes for concealed arm carrier systems.
- Z5368** 20" x 18" vitreous china wall hung lavatory with 8" center faucet holes. Provided with hanger plate and holes for concealed arm carrier systems.

These dimensions and specifications are subject to change without notice.

Fixture dimensions meet ANSI/ASME standard A112.19.2-2003 and CAN/CSA B45 requirements.

Meets the American Disabilities Guidelines and ANSI A117.1 requirements when lavatory is installed 34" [864mm] from finished floor.



See Zurn One Systems for suggested packages.

This space is for Architectural/engineering Approval

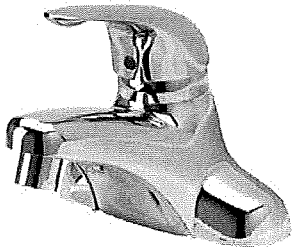
Zurn Plumbing Products Group Commercial Brass and Fixtures Operation
2640 South Work Street · Falconer, NY 14733 · Phone: 716-665-1132 · Fax: 716-665-1135 · www.zurn.com



SIERRA FAUCET Z7440

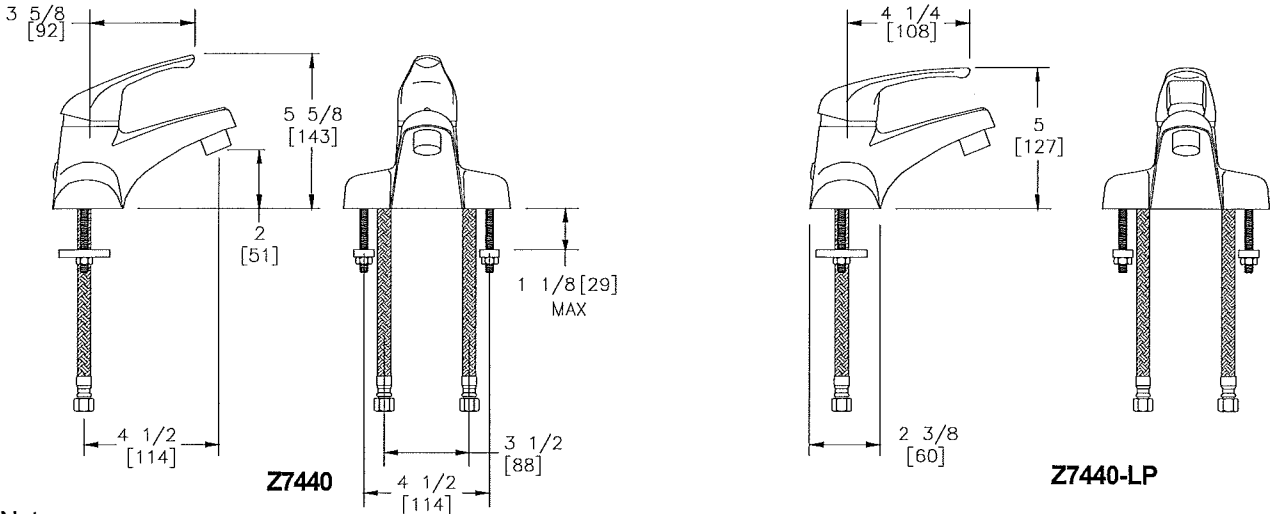
PZ

TAG _____



Engineering Specifications: Zurn AquaSpec® Sierra Faucet Z7440

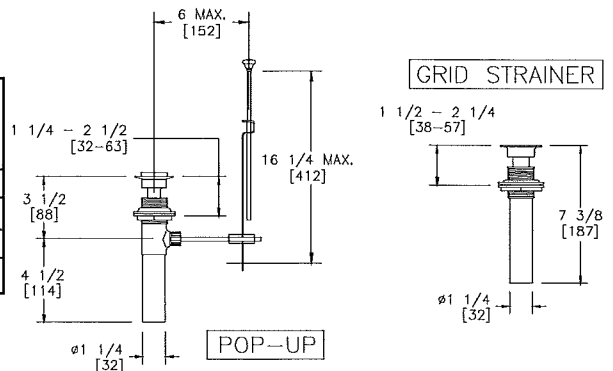
Polished chrome plated 4" [102mm] centerset single control lavatory faucet with 5" [127mm] integral spout, a ceramic disc cartridge and a temperature limit stop. Unit is furnished with 2.2 GPM [8.3L] aerator (complying with ANSI A112.18.1M Standard for flow), an ADA compliant lever handle, 3/8" stainless steel flex hose 18" [457mm] in length with 3/8" female compression fitting.



Note:

Dimensions subject to manufacturing tolerances. Other pipe and fittings not furnished by manufacturer.

Model No.	Lever Handle	No Pop-Up Hole	With Lift Rod Only	With Metal Pop-Up	With Grid Strainer
Z7440	X	X			
Z7441	X		X		
Z7442	X			X	
Z7443	X	X			X



OPTIONS (Check/specify appropriate options)

- ___ - CST Copper Supply Tubes w/ 1/2" IPS Fitting
- ___ - FC 0.5 GPM [1.9L] Vandal Resistant Aerator
- ___ - LA 2.2 GPM [8.3L] Laminar Flow Aerator
- ___ - LP Loop Handle
- ___ - SO 1.0 GPM Spray Outlet
- ___ - STN Satin Nickel Finish
- ___ - VP 2.2 GPM [8.3L] Vandal Resistant Aerator
- ___ - VP1.5 1.5 GPM [5.7L] Vandal Resistant Aerator

STANDARDS

Lever handle models meet or exceed ANSI A117.1M Handicap specifications.

FLOWRATE

2.2 GPM (8.3 LPM) @ 80 PSI



ZURN INDUSTRIES, LLC ♦ COMMERCIAL BRASS OPERATION ♦ 2640 SOUTH WORK STREET ♦ FALCONER NY 14733

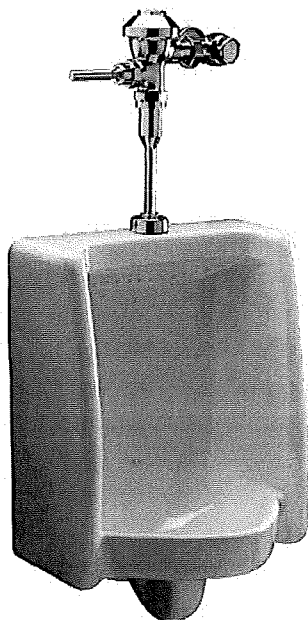
Phone: 1-800-997-3876 ♦ Fax: 1-919-775-3541 ♦ www.zurn.com

In Canada: ZURN INDUSTRIES LIMITED ♦ 3544 Nashua Drive ♦ Mississauga, Ontario L4V1L2 ♦ Phone: 905/405-8272 Fax: 905/405-1292



Z5751.196.00

0.5 GPF Top Spud Washout Urinal with AquaVantage® Exposed Flush Valve TAG _____



Z5751.196.00 (Shown Above)

System Features:

- 0.5 gpf (gallons per flush)
- Vitreous china
- Washout flushing action
- 3/4" top spud with sweat solder kit
- 2" I.P.S. outlet flange and rubber gasket with integral trap
- Shipping Weight: 65 lbs.

Engineering Specification:

Z5751.196.00 0.5 GPF Top spud washout urinal with AquaVantage® exposed flush valve.

Fixture: Z5751

Vitreous china, wall hung washout urinal with 3/4" top spud and wall hanger. 2" I.P.S. outlet flange and rubber gasket with integral trap.

Flush Valve: ZURN Z6003AV-EWS AquaVantage® 'AV' Exposed Urinal Flush Valve- Exposed, quiet diaphragm-type, chrome plated flushometer valve with a polished exterior. Complete with Zurn's AquaVantage® TPE, chloramine resistant, dual seal diaphragm with a clog resistant, triple filtered by-pass. The valve is ADA compliant with a non-hold open and no leak handle feature, high back pressure vacuum breaker, one piece hex coupling nut, adjustable tailpiece, spud coupling and flange for top spud connection. Control stop has internal siphon-guard protection, vandal resistant stop cap, sweat solder kit, and a cast wall flange with set screw. Internal seals are made of chloramine resistant materials.

This space is for Architectural/engineering Approval

These dimensions and specifications are subject to change without notice.

Fixture dimensions meet ANSI/ASME standard A112.19.2 and CAN/CSA B45 requirements.

Meets the American Disabilities Guidelines and ANSI A117.1 requirements when urinal is installed 432mm (17") from finished floor.



See Zurn One Systems for suggested packages.

Zurn Plumbing Products Group Commercial Brass and Fixtures Operation
 2640 South Work Street · Falconer, NY 14733 · Phone: 716-665-1132 · Fax: 716-665-1135 · www.zurn.com

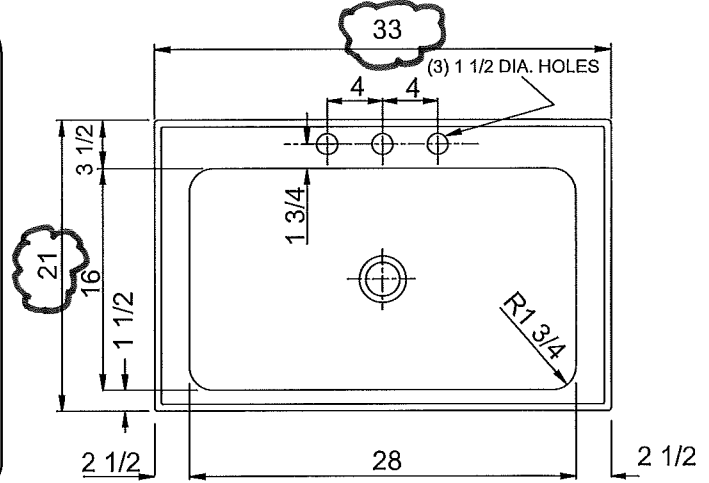
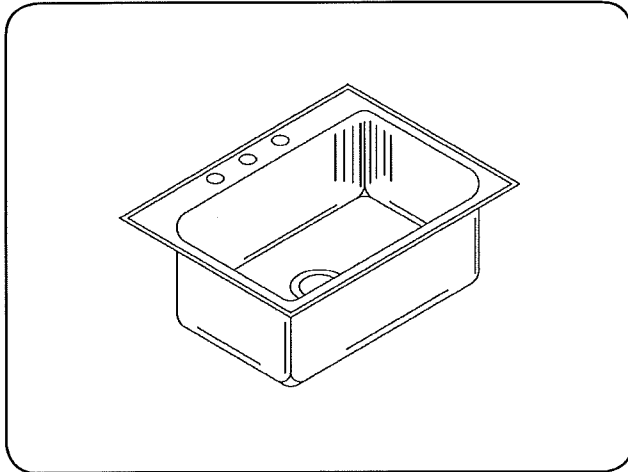


S.S. SINK DROP-IN

SLX-2133-A-GR

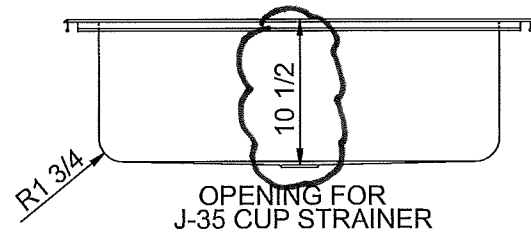
STYLIST GROUP
LEDGE TYPE - DEEP
18 GAUGE

SUBMITTAL DATA

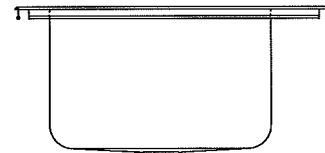


SPECIFICATION

Seamless die-drawn construction of 18 gauge type 304, 18-8 stainless steel. Interior and top surfaces polished to a non-porous Hand-Blended Just Finish with highlighted bowl rim. Fully coated underside insulates for sound, and reduces condensation. Maximum capacity straight-sided compartment with 1 3/4" radius corners provides greater capacity. Self-rimming top mount Grip-Rim Plus with stainless steel mounting channels. Conforms to ASME/ANSI A112.19.3M. Drain punch #35 centered for Just J-35 unless otherwise specified.



TYPE 316 STAINLESS STEEL (Check if applicable)



CUTOUT DIMENSIONS		
Model Number	Front-to-Back	Left-to-Right
SLX-2133-A-GR	20-1/4	32-1/4

FAUCET PUNCHING - MUST BE SPECIFIED	
<input type="checkbox"/> (1) Hole Centered	
<input type="checkbox"/> (2) Holes on 4" centers	
<input type="checkbox"/> (3) Holes on 4" centers (illustrated)	
<input type="checkbox"/> Alternate Punching: Faucet Model:	Punching Required:

APPROVED FOR MANUFACTURING

MODEL NO.: _____ QTY: _____

JOB NAME: _____

TAG/ITEM: _____

CUSTOMER: _____

SIGNATURE: _____



JUST MFG. COMPANY CONTINUES TO MAKE QUALITY AND FUNCTIONALITY A MARK OF THE JUST PRODUCT LINE. TO DO SO REQUIRES THAT WE RESERVE THE RIGHT TO CHANGE PRODUCT INFORMATION WITHOUT NOTICE. DIMENSIONS MAY VARY AND ARE SUBJECT TO CHANGE WITHOUT NOTICE. NO RESPONSIBILITY IS ASSUMED FOR USE OF SUPERSEDED OR VOIDED DATA. FOR THE MOST CURRENT AND ACCURATE INFORMATION REGARDING THE COMPLETE LINE OF JUST SINKS, FAUCETS AND DRAINS, CLICK ON THE SPEC LINE DRAWINGS LINK ON OUR WEB SITE AT www.justmfg.com

JUST MANUFACTURING COMPANY 9233 KING STREET · FRANKLIN PARK · ILLINOIS · 60131-2111

PH: 847-678-5150 FAX: 847-678-6817 E-MAIL: custserv@justmfg.com www.justmfg.com



CONTINENTAL GROUP

SPECIFICATION

Seamless die-drawn construction of Type 304, 18-8 stainless steel. Interior and top surfaces polished to a non-porous Hand-Blended Just Finish with highlighted bowl rim. Fully coated underside insulated for sound and reduces condensation. Straight-sided compartment with radius corners provides greater capacity. Self-rimming top mount Grip-Rim Plus with stainless steel mounting channels. Conforms to ASME/ANSI A112.19.3M. Certified conformance with ASME A112.19.3/CSA B45.4, Canadian Standards (CSA), Uniform Plumbing Code (UPC) and International Plumbing Code (IPC). Drain punch 3-1/2" centered for Just J-35.

To be specified :

■ Faucet hole punching:

- (1) Hole Centered
- (2) Holes on 4" centers
- (3) Holes on 4" centers (illustrated)
- (4) Holes

Alternate Punching:

Faucet Model: _____

Punching required: _____



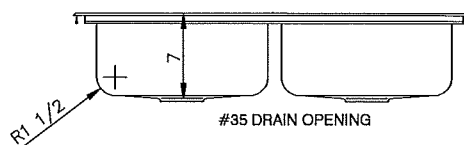
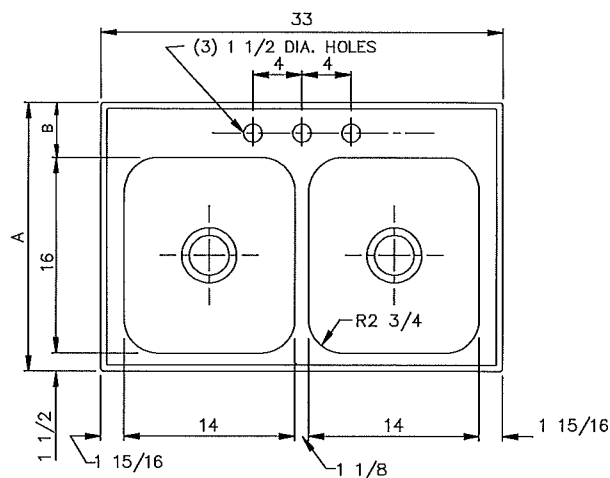
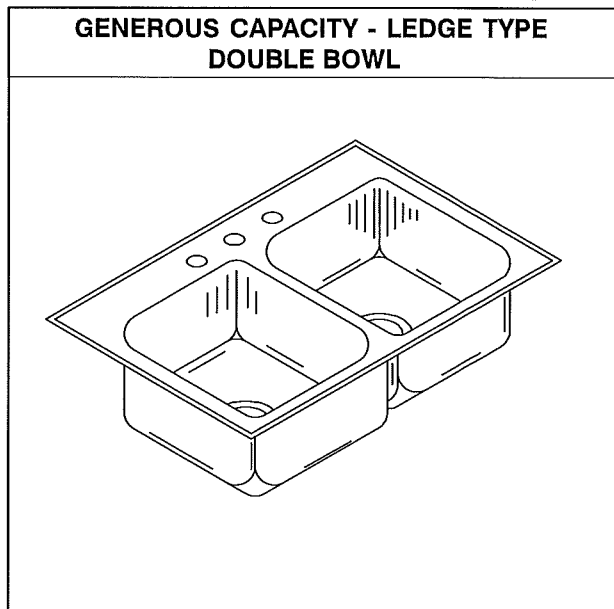
MODEL NO.	A	B	CUTOUT*
CDL-2133-B-GR	21	3-1/2	20 1/4 x 32 1/4
CDL-2233-B-GR	22	4-1/2	21 1/4 x 32 1/4

* Cutout dimensions shown (Front-to-Back) x (Left-to-Right) - Corners of cutout may be square or upto 1/2" radius.

JUST MFG. COMPANY CONTINUES TO MAKE QUALITY AND FUNCTIONALITY A MARK OF THE JUST PRODUCT LINE. TO DO SO REQUIRES THAT WE RESERVE THE RIGHT TO CHANGE PRODUCT INFORMATION WITHOUT NOTICE. DIMENSIONS MAY VARY AND ARE SUBJECT TO CHANGE WITHOUT NOTICE. NO RESPONSIBILITY IS ASSUMED FOR USE OF SUPERCEDED OR VOIDED DATA. FOR THE MOST CURRENT AND ACCURATE INFORMATION REGARDING THE COMPLETE LINE OF JUST SINKS, FAUCETS AND DRAINS, CLICK ON THE SPEC LINE DRAWINGS LINK ON OUR WEB SITE AT www.justmfg.com

CDL SERIES - B-GR - 20 GA.

GENEROUS CAPACITY - LEDGE TYPE DOUBLE BOWL



SUBMITTAL DATA

Job Name _____

Customer _____

Architect/Engineer _____

APPROVED FOR MANUFACTURING

MODEL NO. CDL-2133-B-GR QTY. _____

COMPANY _____

TITLE _____ DATE _____

SIGNATURE _____

REVISED-5/2004

JUST MANUFACTURING COMPANY 9233 KING STREET . FRANKLIN PARK . ILLINOIS . 60131-2111

PH: 847-678-5150 . FAX: 847-678-6817 . E-MAIL: custserv@justmfg.com . www.justmfg.com

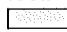
ELKAY[®] SPECIFICATIONS

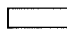
Weldbilt[®] Double Compartment Scullery Sink 1/4-Inch Radius Coved Corner


GENERAL

Model No. WNSF_____ #14 gauge, type 304, (18-8) stainless steel scullery sink. Compartments 14" deep. Welded 1/4" radius coved corner construction. Welds are ground to a smooth and cleanable finish. Full length 8" high backsplash with 45° sloped top. 1-1/2" wide inward sloping top channel rims. Integral drainboard/s, sink compartments pitched to drain. Exposed surfaces polished to a satin finish. Weldbilt sinks carry the NSF International Certification.

Sinks supported on (4) LK251 stainless steel, 1-5/8" O.D. tubular legs, #16 gauge wall thickness. Adjustable bullet shaped feet.

 Shaded models are normally carried in stock with standard faucet location.

 Non-shaded models with specified dimensions are considered standard models which must be made to order—standard faucet location unless otherwise specified.

 Last item in each group is custom. Fill in dimensions. Standard faucet location unless otherwise specified.

Drainboards over 25-1/2" long furnished with one tubular leg.

Drainboards over 48" long furnished with two tubular legs.

SPECIFIED FITTINGS:

SUPPLY:

DRAIN:

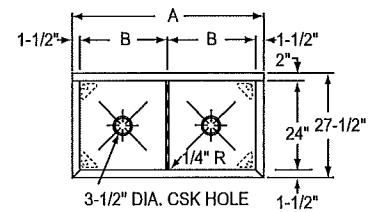
ALL DIMENSIONS IN INCHES.

SEE OTHER SIDE FOR DIMENSIONS IN MILLIMETERS.

(Check Model Specified):

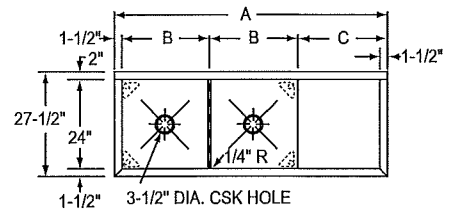
NO DRAINBOARD

Model Number	Dimensions	
	A	B
WNSF8230	33	15
WNSF8236	39	18
WNSF8242	45	21
WNSF8248	51	24
WNSF8254	57	27
WNSF8260	63	30
• WCNSF8200		



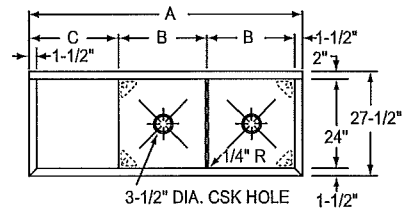
RIGHT DRAINBOARD

Model Number	Dimensions		
	A	B	C
WNSF8230R	55 1/2	15	24
WNSF8236R	61 1/2	18	24
WNSF8248R	73 1/2	24	24
WNSF8254R	79 1/2	27	24
WNSF8260R	85 1/2	30	24
• WCNSF8200R			



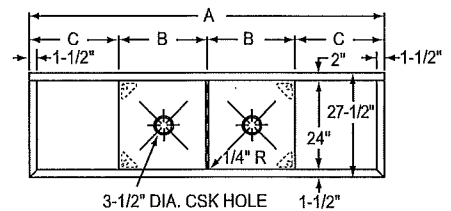
LEFT DRAINBOARD

Model Number	Dimensions		
	A	B	C
WNSF8230L	55 1/2	15	24
WNSF8236L	61 1/2	18	24
WNSF8248L	73 1/2	24	24
WNSF8254L	79 1/2	27	24
WNSF8260L	85 1/2	30	24
• WCNSF8200L			

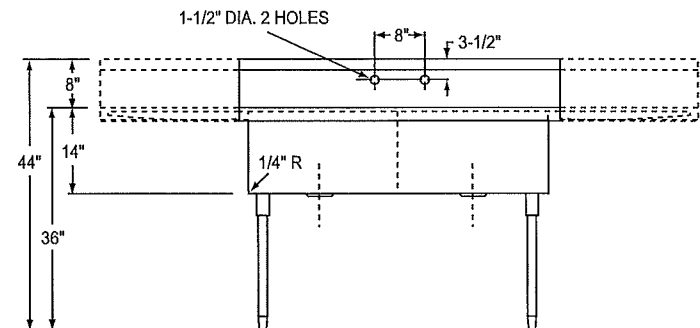


RIGHT & LEFT DRAINBOARD

Model Number	Dimensions		
	A	B	C
WNSF8230LR	78	15	24
WNSF8236LB	84	18	24
WNSF8248LR	96	24	24
WNSF8254LR	102	27	24
WNSF8260LR	108	30	24
• WCNSF8200LR			



INDICATE NUMBER OF FAUCET HOLES WHEN PLACING ORDER. (NON-STANDARD FAUCET AND OVERFLOW DRILLING LOCATIONS ARE AVAILABLE. SPECIFY ON DRAWING AT RIGHT.)



P-6



TERRAZZO MOP SERVICE BASIN 12" DEPTH WITH 6" DROP FRONT

12" MOP SERVICE BASIN WITH 6" DROP FRONT

- One piece, precast terrazzo made of black and white marble chips in gray portland cement to produce a compressive strength not less than 3000 P.S.I. seven days after casting.
- Terrazzo surface shall be ground and polished with all air holes or pits grouted and excess removed.
- Shoulders shall be not less than 12" high outside and 10" inside at lowest wall. Shoulder width not less than 2" on all sides with a 1/4" pitch towards the inside.
- Standard drain body is stainless steel cast integrally and provides for a caulked lead connection not less than 1" deep to a 3" pipe.
- Stainless steel strainer # 1453BB

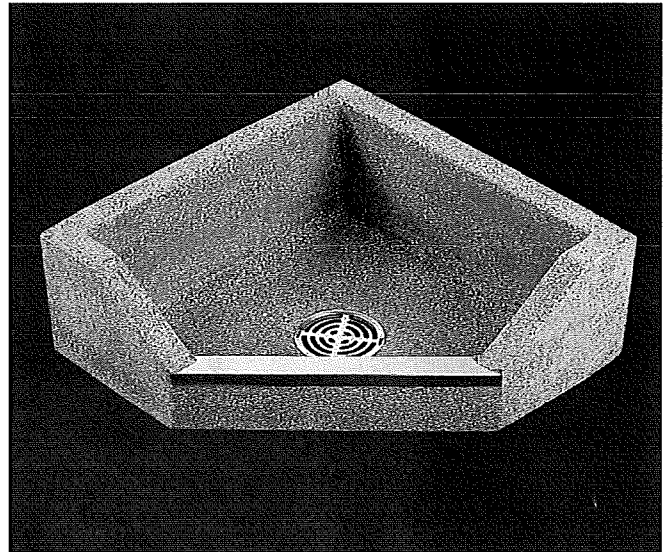
Options

- QDC quick drain connectors
- Integral galvanized tiling flanges available at no additional charge.
- Stainless steel tiling flanges available with up-charge. Must be custom order.
- Chrome plated brass drain or Vandal proof drain. Must be custom order.

- TSBC1610, TSBC1611, TSBC1612**
Neo-corner Series with stainless steel caps on thresholds only
- TSB3000, TSB3001, TSB3002, TSB3003 Series**
with stainless steel caps on all curbs
- TSB3010, TSB3011, TSB3012, TSB3013 Series**
with stainless steel caps on thresholds only

Optional Components:

- 830AA** Mop Service Basin Fitting
- 832AA** Hose & Hose Bracket
- 1239BB** Aluminum Bumperguard with Vinyl Insert
- 833AA** Silicone Sealant
- MSG** Wall Guards - Stainless Steel
 - Wall Guards are manufactured of heavy gauge stainless steel and help protect walls adjacent to Mop Basin. Two panels are required for corner installations. Optional third panel is required for a recessed installation. (MSG2424; MSG2828; MSG3232; MSG3624; MSG3636)



Shown: TSBC1610

SEE REVERSE FOR ROUGHING-IN DIMENSIONS

NOTES: Terrazzo Mop Basins **must** be installed on a 1/2" layer of mortar in order that the mop basin be level and to prevent cracking. Failure to install terrazzo without a mortar bed will void the warranty. Installations require a 1/4" clearance between mop basin and wall.

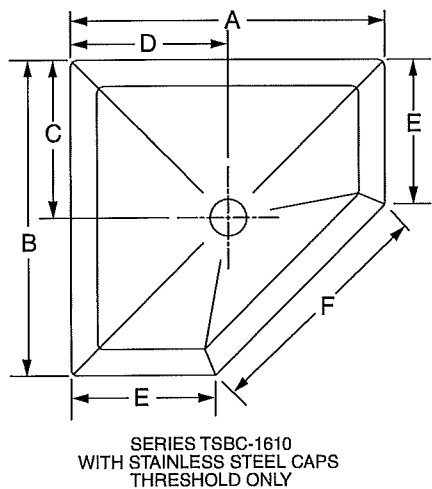
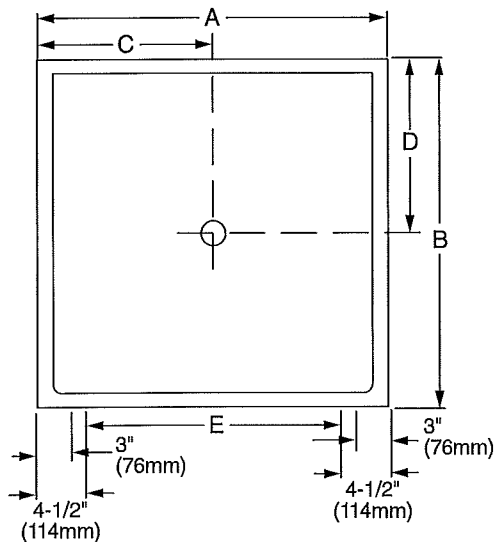
CERTIFICATIONS:

Customer Service Canada
1-800-387-0369
www.fiat.ca

FIAT
QUALITY FOR LIFE
Customer Service United States
1-800-442-1902
www.fiatproducts.com



TERRAZZO MOP SERVICE BASIN 12" DEPTH WITH 6" DROP FRONT



Series TSB3000
With Stainless Steel Caps On All Curbs

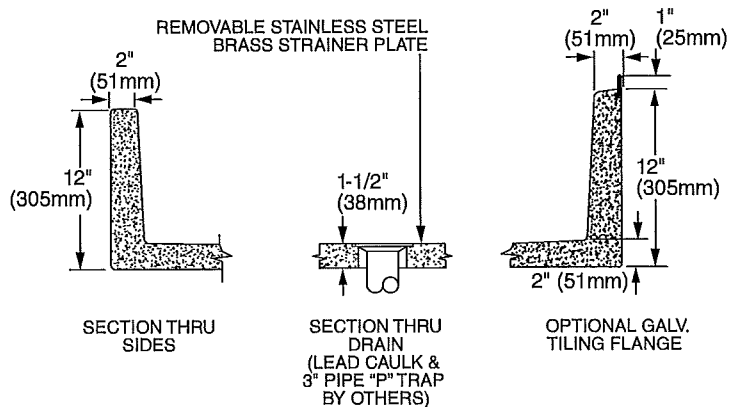
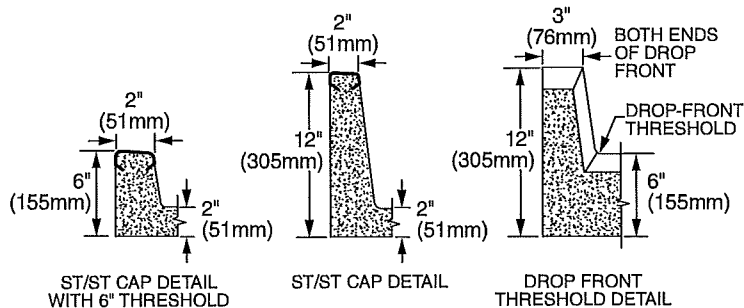
MODEL	SIZE	A	B	C	D	E
TSB3000	24" x 24" x 12"	24	24	12	12	15
TSB3001	32" x 32" x 12"	32	32	16	16	23
TSB3002	36" x 36" x 12"	36	36	18	18	27
TSB3003	36" x 24" x 12"	36	24	18	12	27

Series TSB3010
With Stainless Steel Threshold Only

MODEL	SIZE	A	B	C	D	E
TSB3010	24" x 24" x 12"	24	24	12	12	15
TSB3011	32" x 32" x 12"	32	32	16	16	23
TSB3012	36" x 36" x 12"	36	36	18	18	27
TSB3013	36" x 24" x 12"	36	24	18	12	27

Series TSBC1610
With Stainless Steel Caps Threshold Only

MODEL	SIZE	A	B	C	D	E	F
TSBC1610	24" x 24" x 12"	24	24	12	12	11	18-1/4
TSBC1611	32" x 32" x 12"	32	32	12	12	14	25-3/8
TSBC1612	36" x 36" x 12"	36	36	12	12	18	25-3/8



MODELS TSB3010, TSB3011, TSB3012 AND TSB3013 SHALL BE SUPPLIED WITH STAINLESS STEEL CAP ON DROPPED THRESHOLD CURB ONLY.

IMPORTANT: Roughing in dimensions may vary 1/2" and are subject to change or cancellation without prior notice.



Customer Service Canada
1-800-387-0369
www.fiat.ca

Customer Service United States
1-800-442-1902
www.fiatproducts.com



COMMERCIAL GROUP

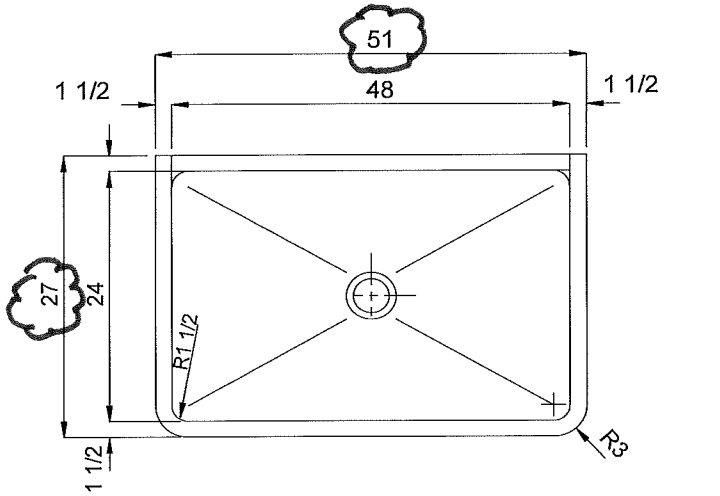
S.S. 27x51" 12" Deep
NSFB-148 (12/12) P-7

**ONE COMPARTMENT
NO DRAINBOARD**



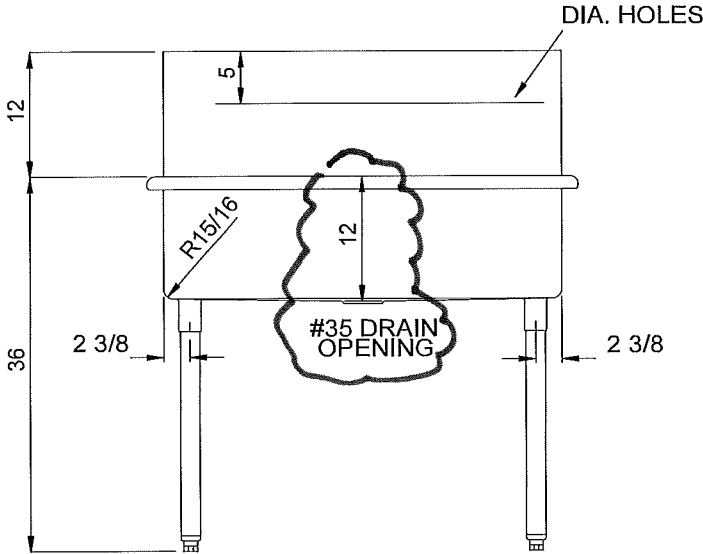
P-7

SUBMITTAL DATA



SPECIFICATION

Constructed of 14 gauge type 304, 18-8 stainless steel. Interior surfaces polished with a non-porous Hand-Blended Just Finish. Exposed exterior surfaces to have a brush finish. Supported on (4) 16 gauge 1 5/8" O.D. stainless steel tubular legs with stainless steel fully enclosed gussets and adjustable bullet feet. Drain punch #35 centered for Just J-35 unless otherwise specified. Certified to ANSI/NSF Standard 2.



To be specified :

- Faucet hole punching:
- (1) Hole Centered
- (2) Holes on 8" centers
- (3) Holes on 4" centers
- Alternate Punching:
Faucet Model: _____
- Punching required: _____

Standard
Depth - 12" (Water Level 12")
Backsplash height - 12"

Alternate sizing

- 8" backsplash / 14" depth
- _____ backsplash
- _____ depth

FUNCTIONAL DESIGN, QUALITY, AND SPECIFICATIONS LISTED DESCRIBE THE JUST STANDARD OF QUALITY. WHEN MAKING COMPARISONS WITH OTHER OFFERINGS, INSIST ON THE JUST QUALITY OF CONSTRUCTION. FOR ADDITIONAL INFORMATION REGARDING THE COMPLETE LINE OF JUST SINKS, FAUCETS AND DRAINS, VISIT OUR WEB SITE AT www.justmfg.com

Job Name _____

Customer _____

Architect/Engineer _____

APPROVED FOR MANUFACTURING

MODEL NO. **NSFB-148 (12/12)** QTY. _____

COMPANY _____

TITLE _____ DATE _____

SIGNATURE _____

REVISED-6/2004


ELKAY[®] SPECIFICATIONS

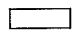
Weldbilt[®] Single Compartment Scullery Sink 1/4-Inch Radius Coved Corner


GENERAL

Model No. WNSF_____ #14 gauge, type 304, (18-8) stainless steel scullery sink. Compartments 14" deep. Welded 1/4" radius coved corner construction. Welds are ground to a smooth and cleanable finish. Full length 8" high backsplash with 45° sloped top. 1-1/2" wide inward sloping top channel rims. Integral drainboard/s, sink compartments pitched to drain. Exposed surfaces polished to a satin finish. Weldbilt sinks carry the NSF International Certification.

Sinks supported on (4) LK251 stainless steel, 1-5/8" O.D. tubular legs, #16 gauge wall thickness. Adjustable bullet shaped feet.

 Shaded models are normally carried in stock with standard faucet location.

 Non-shaded models with specified dimensions are considered standard models which must be made to order—standard faucet location unless otherwise specified.

 Last item in each group is custom. Fill in dimensions. Standard faucet location unless otherwise specified.

Drainboards over 25-1/2" long furnished with one tubular leg.

Drainboards over 48" long furnished with two tubular legs.

SPECIFIED FITTINGS:

SUPPLY:

DRAIN:

ALL DIMENSIONS IN INCHES.

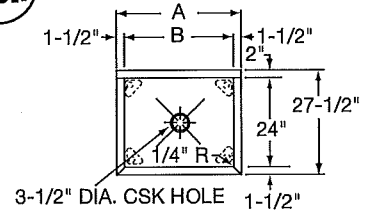
SEE OTHER SIDE FOR DIMENSIONS IN MILLIMETERS.

14"
DEEP

(Check Model Specified):

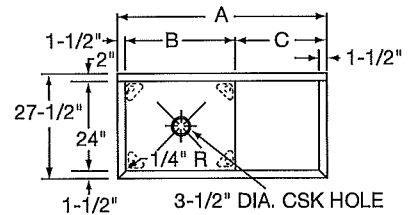
NO DRAINBOARD

Model Number	Dimensions	
	A	B
WNSF8124	27	24
WNSF8130	33	30
WNSF8136	39	36
• WCNSF8100		



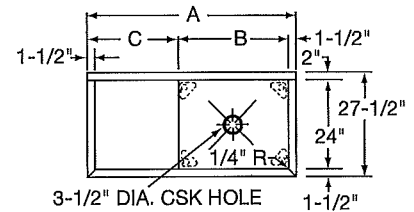
RIGHT DRAINBOARD

Model Number	Dimensions		
	A	B	C
WNSF8124R	49 1/2	24	24
WNSF8130R	55 1/2	30	24
WNSF8136R	61 1/2	36	24
• WCNSF8100R			



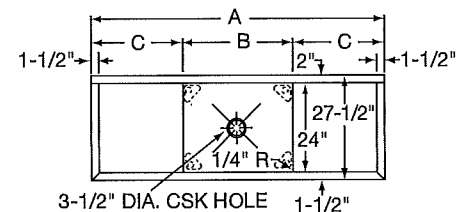
LEFT DRAINBOARD

Model Number	Dimensions		
	A	B	C
WNSF8124L	49 1/2	24	24
WNSF8130L	55 1/2	30	24
WNSF8136L	61 1/2	36	24
• WCNSF8100L			

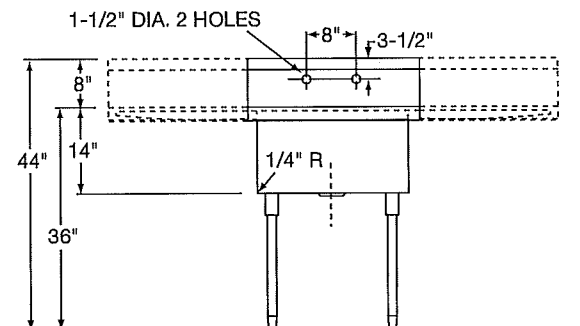


RIGHT & LEFT DRAINBOARD

Model Number	Dimensions		
	A	B	C
WNSF8124LR	72	24	24
WNSF8130LR	78	30	24
WNSF8136LR	84	36	24
• WCNSF8100LR			



INDICATE NUMBER OF FAUCET HOLES WHEN PLACING ORDER. (NON-STANDARD FAUCET AND OVERFLOW DRILLING LOCATIONS ARE AVAILABLE. SPECIFY ON DRAWING AT RIGHT.)



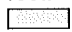
ELKAY[®] SPECIFICATIONS

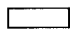
Weldbilt[®] Single Compartment Scullery Sink 1/4-Inch Radius Coved Corner


GENERAL

Model No. WNSF_____ #14 gauge, type 304, (18-8) stainless steel scullery sink. Compartments 14" deep. Welded 1/4" radius coved corner construction. Welds are ground to a smooth and cleanable finish. Full length 8" high backsplash with 45° sloped top. 1-1/2" wide inward sloping top channel rims. Integral drainboard/s, sink compartments pitched to drain. Exposed surfaces polished to a satin finish. Weldbilt sinks carry the NSF International Certification.

Sinks supported on (4) LK251 stainless steel, 1-5/8" O.D. tubular legs, #16 gauge wall thickness. Adjustable bullet shaped feet.

 Shaded models are normally carried in stock with standard faucet location.

 Non-shaded models with specified dimensions are considered standard models which must be made to order—standard faucet location unless otherwise specified.

 Last item in each group is custom. Fill in dimensions. Standard faucet location unless otherwise specified.

Drainboards over 25-1/2" long furnished with one tubular leg.

Drainboards over 48" long furnished with two tubular legs.

SPECIFIED FITTINGS:

SUPPLY:

DRAIN:

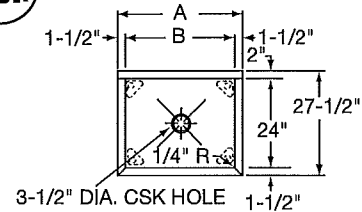
ALL DIMENSIONS IN INCHES.

SEE OTHER SIDE FOR DIMENSIONS IN MILLIMETERS.

(Check Model Specified):

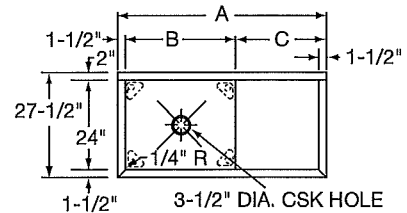
NO DRAINBOARD

Model Number	Dimensions	
	A	B
WNSF8124	27	24
WNSF8130	33	30
WNSF8136	39	36
• WCNSF8100		



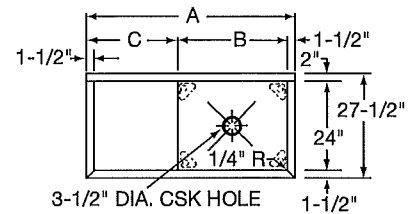
RIGHT DRAINBOARD

Model Number	Dimensions		
	A	B	C
WNSF8124R	49 1/2	24	24
WNSF8130R	55 1/2	30	24
WNSF8136R	61 1/2	36	24
• WCNSF8100R			



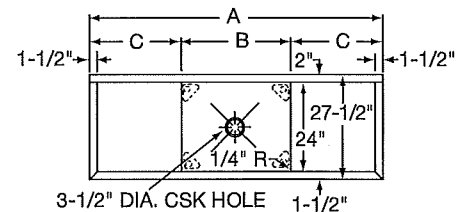
LEFT DRAINBOARD

Model Number	Dimensions		
	A	B	C
WNSF8124L	49 1/2	24	24
WNSF8130L	55 1/2	30	24
WNSF8136L	61 1/2	36	24
• WCNSF8100L			

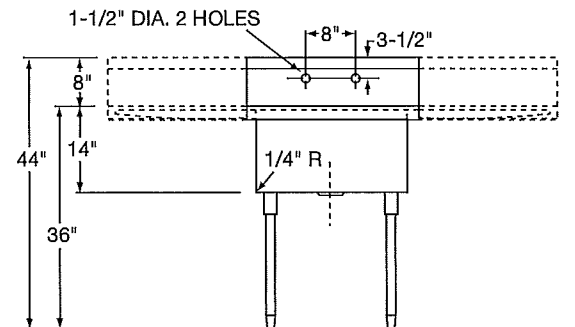


RIGHT & LEFT DRAINBOARD

Model Number	Dimensions		
	A	B	C
WNSF8124LR	72	24	24
WNSF8130LR	78	30	24
WNSF8136LR	84	36	24
• WCNSF8100LR			



INDICATE NUMBER OF FAUCET HOLES WHEN PLACING ORDER. (NON-STANDARD FAUCET AND OVERFLOW DRILLING LOCATIONS ARE AVAILABLE. SPECIFY ON DRAWING AT RIGHT.)



PBB


ELKAY[®] SPECIFICATIONS

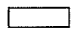
Weldbilt[®] Single Compartment Scullery Sink 1/4-Inch Radius Coved Corner


GENERAL

Model No. WNSF_____ #14 gauge, type 304, (18-8) stainless steel scullery sink. Compartments 14" deep. Welded 1/4" radius coved corner construction. Welds are ground to a smooth and cleanable finish. Full length 8" high backsplash with 45° sloped top. 1-1/2" wide inward sloping top channel rims. Integral drainboard/s, sink compartments pitched to drain. Exposed surfaces polished to a satin finish. Weldbilt sinks carry the NSF International Certification.

Sinks supported on (4) LK251 stainless steel, 1-5/8" O.D. tubular legs, #16 gauge wall thickness. Adjustable bullet shaped feet.

 Shaded models are normally carried in stock with standard faucet location.

 Non-shaded models with specified dimensions are considered standard models which must be made to order—standard faucet location unless otherwise specified.

 Last item in each group is custom. Fill in dimensions. Standard faucet location unless otherwise specified.

Drainboards over 25-1/2" long furnished with one tubular leg.

Drainboards over 48" long furnished with two tubular legs.

SPECIFIED FITTINGS:

SUPPLY:

DRAIN:

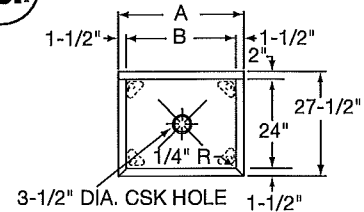
ALL DIMENSIONS IN INCHES.

SEE OTHER SIDE FOR DIMENSIONS IN MILLIMETERS.

(Check Model Specified):

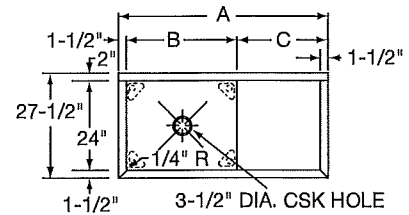
NO DRAINBOARD

Model Number	Dimensions	
	A	B
WNSF8124	27	24
WNSF8130	33	30
WNSF8136	39	36
• WCNSF8100		



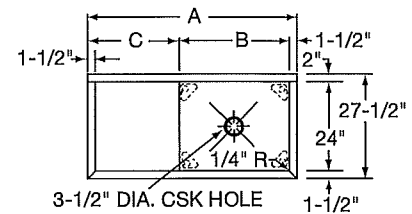
RIGHT DRAINBOARD

Model Number	Dimensions		
	A	B	C
WNSF8124R	49 1/2	24	24
WNSF8130R	55 1/2	30	24
WNSF8136R	61 1/2	36	24
• WCNSF8100R			



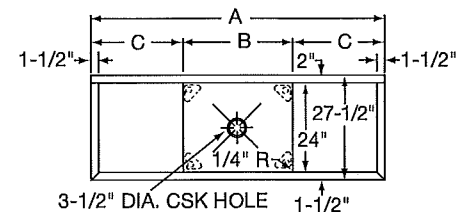
LEFT DRAINBOARD

Model Number	Dimensions		
	A	B	C
WNSF8124L	49 1/2	24	24
WNSF8130L	55 1/2	30	24
WNSF8136L	61 1/2	36	24
• WCNSF8100L			

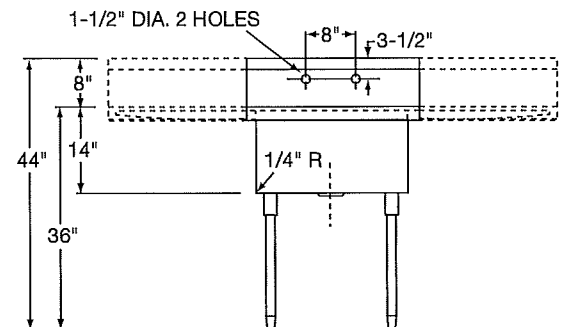


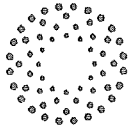
RIGHT & LEFT DRAINBOARD

Model Number	Dimensions		
	A	B	C
WNSF8124LR	72	24	24
WNSF8130LR	78	30	24
WNSF8136LR	84	36	24
• WCNSF8100LR			

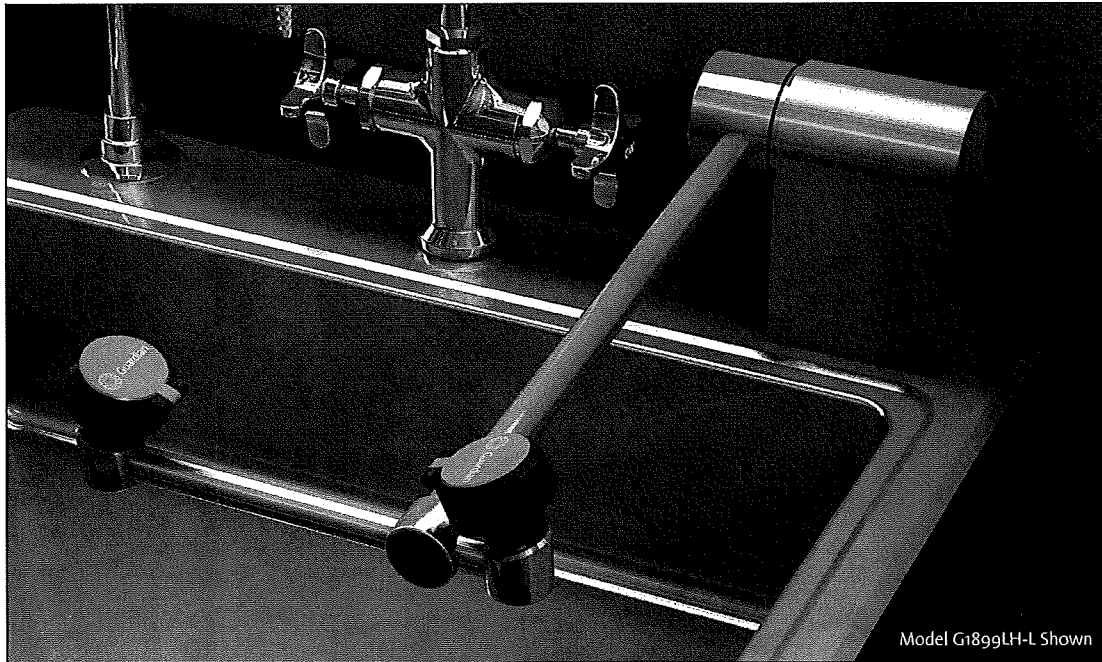
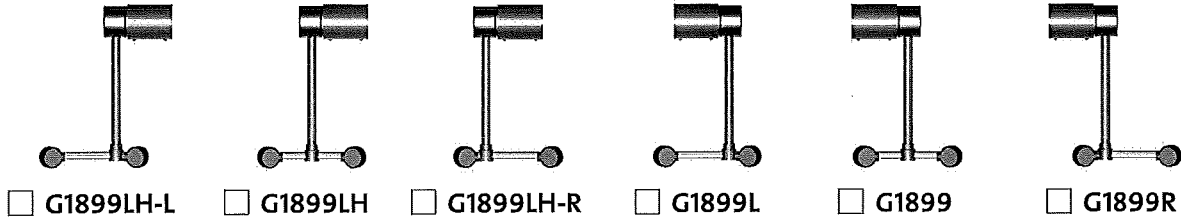


INDICATE NUMBER OF FAUCET HOLES WHEN PLACING ORDER. (NON-STANDARD FAUCET AND OVERFLOW DRILLING LOCATIONS ARE AVAILABLE. SPECIFY ON DRAWING AT RIGHT.)





○ **G1899** Eyewash, Deck Mounted AutoFlow™ Swing-Down, All-Stainless Steel



APPLICATION: All-stainless steel AutoFlow™ eyewash for mounting on counter. Constructed entirely in stainless steel. Ideal for use in highly corrosive environments, cleanrooms and pharmaceutical applications. Spray heads swing down from storage to operational position, activating water flow. Available in a variety of spray head configurations to minimize obstructions at a sink. *Note: If unit is not installed at a sink, floor drain should be provided underneath unit to prevent accumulation of water on floor.*

SPRAY HEAD ASSEMBLY: Two GS-Plus™ spray heads. Each head has a “flip top” dust cover, internal flow control and filter to remove impurities from the water flow.

VALVE: 1/2" IPS stainless steel plug-type valve with O-ring seals. Swinging head assembly down from storage to operational position opens orifice and activates water flow. Unit remains in operation until spray head assembly is returned to storage position.

STRAINER: Unit is furnished with in-line strainer to protect valve and spray heads from debris in water line.

MOUNTING: Unit mounts on countertop behind sink. Furnished with hardware for securing unit to counter.

CONSTRUCTION: Type 316 stainless steel.

SUPPLY: 3/8" NPT male inlet.

SIGN: ANSI-compliant identification sign.

QUALITY ASSURANCE: Unit is completely assembled and water tested prior to shipment.

Available Options

- **TMV G3600** thermostatic mixing valve precisely blends hot and cold water to deliver tepid water as required by ANSI Z358.1-2009.

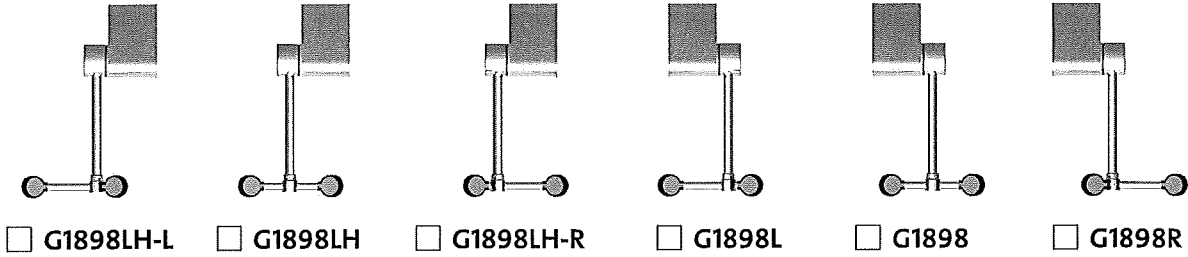


Guardian

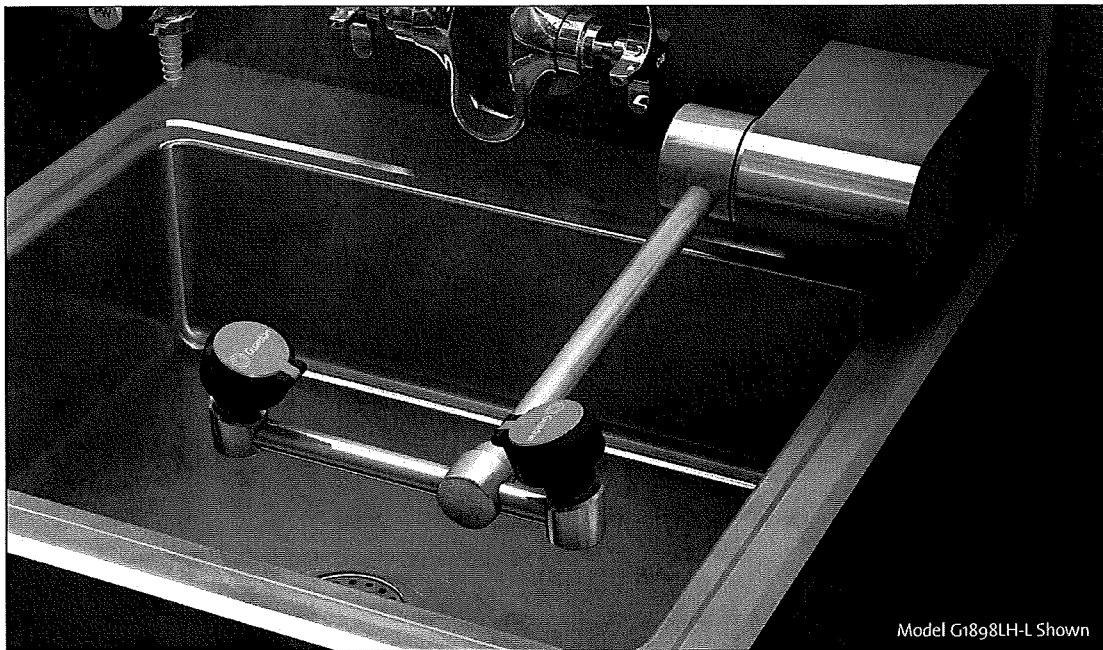
P-9A

Eyewashes

○ G1898 Eyewash, Wall Mounted AutoFlow™ 90° Swing-Down, All-Stainless Steel



Units shown in plan view



APPLICATION: All-stainless steel AutoFlow™ eyewash for mounting on wall. Unit is constructed entirely in stainless steel. Ideal for use in highly corrosive environments, cleanrooms and pharmaceutical applications. Spray heads swing down from storage to operational position, activating water flow. Available in a variety of spray head configurations to minimize obstructions at a sink. *Note: If unit is not installed at a sink, floor drain should be provided underneath unit to prevent accumulation of water on floor.*

SPRAY HEAD ASSEMBLY: Two GS-Plus spray heads. Each head has a “flip top” dust cover, internal flow control and filter to remove impurities from the water flow.

VALVE: 1/2” IPS stainless steel plug-type valve with O-ring seals. Swinging head assembly down from storage to operational position opens orifice and activates water flow. Unit remains in operation until head assembly is returned to storage position.

MOUNTING: Valve is installed in Type 316 stainless steel housing. Mount housing on wall using anchors or other mounting hardware.

CONSTRUCTION: Type 316 stainless steel.

SUPPLY: 1/2” NPT female inlet.

SIGN: ANSI-compliant identification sign.

QUALITY ASSURANCE: Unit is completely assembled and water tested prior to shipment.

Available Options

- TMV G3600 thermostatic mixing valve precisely blends hot and cold water to deliver tepid water as required by ANSI Z358.1-2009. Refer to “Tempering Units” section for complete technical and product selection information.



G1909PCC Safety Station with WideArea™ Eye/Face Wash, Polished Chrome Construction

Application: Combination WideArea™ eye/face wash and shower safety station. Unit is constructed of polished chrome plated brass pipe, fittings and components for attractive appearance and superior durability. Four GS-Plus™ spray-type outlet heads deliver a flood of water over a wide area of coverage for complete rinsing of eyes and face.

Shower Head: 10" diameter stainless steel.

Shower Valve: 1" IPS chrome plated brass stay-open ball valve. Valve is US-made with chrome plated brass ball and Teflon® seals. Furnished with stainless steel actuating arm and 29" stainless steel pull rod.

Spray Head Assembly: Four GS-Plus™ spray heads. Each head has a "flip top" dust cover, internal flow control and filter to remove impurities from the water flow.

Eye/Face Wash Bowl: 11-1/2" diameter stainless steel.

Eye/Face Wash Valve: 1/2" IPS chrome plated brass stay-open ball valve. Valve is US-made with chrome plated brass ball and Teflon® seals.

Pipe And Fittings: Polished chrome plated brass.

Supply: 1-1/4" NPT female top inlet.

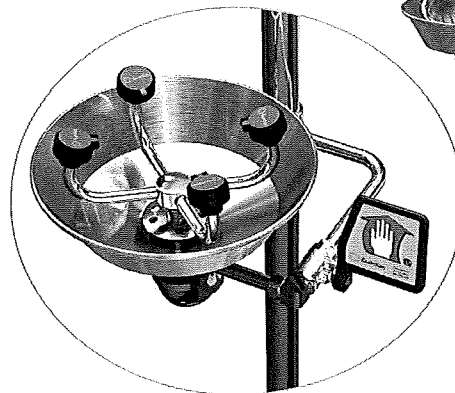
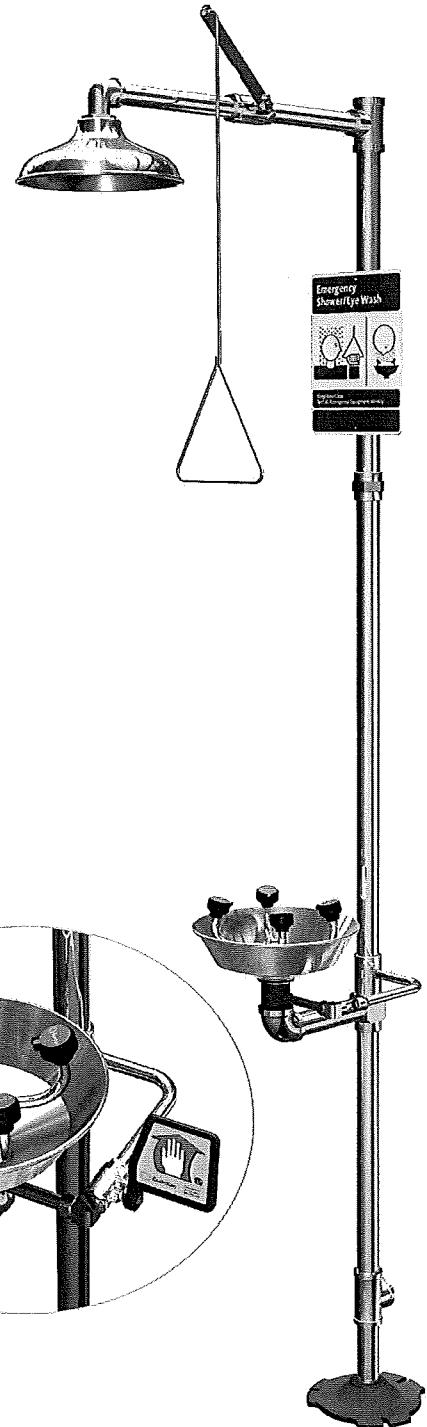
Waste: 1-1/4" NPT female outlet. Outlet can be positioned at either 9-1/4" or 19-5/8" above finished floor by reversing lower pipe nipples.

Sign: Furnished with ANSI-compliant identification sign.

Quality Assurance: Valve and spray head assemblies are factory assembled and water tested prior to shipment.

Available Options

- FC20** Regulates shower flow rate to 20 GPM.
- SSH** Stainless steel shower head.
- AP275-100 Electric Light and Alarm Horn**
Light and alarm horn summon assistance when eye/face wash or shower is activated.
- AP250-015 Modesty Curtain**
Modesty curtain for mounting on safety station.
- TMV G3800** thermostatic mixing valve precisely blends hot and cold water to deliver warm (tepid) water as required by ANSI Z358.1-2009.





Halsey Taylor
Satisfying Thirsts Since 1912

P-11 DUAL UNIT NON REFRIG.
P-11A D/U W/ BOTTLE FILLER NON/R

**Vandal-Resistant
HYDROBOOST™**

Models: HTHBHVR8BL-NF
 HTHBHVRBL-NF

GENERAL

Complete water station including HydroBoost™ bottle filling station and HVR water cooler.

HVR WATER COOLER

Self-contained, stainless steel, wall mount single level water cooler. Model HTHBHVR8BL-NF delivers chilled water; HTHBHVRBL-NF delivers ambient drinking water. Vandal-resistant one-piece, chrome-plated bubbler with integral hood guard design to prevent tampering, airborne deposits and contamination. Automatic stream height regulator is located inside unit to prevent tampering. A constant stream height is automatically maintained under line pressures that vary from 20 to 105 psi. Includes self-closing vandal-resistant pushbutton which does not require grasping or twisting. Type 300 series stainless steel cooler top with satin finish to resist stains and corrosion. Basin includes anti-splash ridge and contoured to insure proper drainage.

HYDROBOOST™ BOTTLE FILLING STATION

Stainless steel design for tamper-resistance. Pushbutton activation enhanced with embossed user graphics. Quick fill rate is 1.1 gallons per minute on chilled model and 1.5 gpm on ambient model. Laminar flow provides a clean fill with minimal splash and easy maintenance. 30-second shut-off timer for water flow. Recessed orifice to prevent cross-contamination.

GREEN COUNTER™

Visually displays count of plastic water bottles saved from the landfills. Protected behind tempered glass.

INLET STRAINER

Easily cleaned in-line strainer screen traps particles of 140 microns or larger before they enter the waterway.

REFRIGERATION SYSTEM (Model HTHBHVR8BL-NF Only)

Unit provides 8GPH of 50°F drinking water at 90°F ambient air and 80°F inlet water. Hermetically sealed, positive start compressor with lifetime lubrication and built-in overload protection, efficient capillary sizing, large capacity dryer-strainer and self-lubricated fan cools copper/ aluminum condenser. R-134a refrigerant. Protected by Halsey Taylor's Limited Warranty.

TEMPERATURE CONTROL

Positive sensing thermostat for controlling temperature of storage tank water. Factory set at 50°F adjustable ± 5°F.

Trap and service stop not included.

**HVR Bi-Level Cooler
with Bottle Filler**



SUGGESTED SPECIFICATION

Model HTHBHVR8BL-NF shall deliver 8GPH of 50°F drinking water at 90°F ambient air and 80°F inlet water. Model HTHBHVRBL-NF shall deliver non-chilled drinking water. Shall have stainless steel construction. Shall include vandal-resistant, one-piece bubbler with integral hood. Shall include vandal-resistant pushbutton activation with embossed user graphics. Shall include 30-second auto shut-off for water flow. Shall include Green Counter with tempered glass protective covering. Shall provide 1.1-1.5 gpm with laminar flow for minimal splash and recessed orifice to prevent cross-contamination. Cooler shall have stainless steel basin with anti-splash ridge and removeable drain strainer. Shall comply with ADA standards, UL399, CAN/CSA 22.2 No. 120, NSF/ANSI 61 and NSF/ANSI 372.

JOB NAME: _____

 ENGINEER/CONTRACTOR NAME: _____

 APPROVAL: _____
 DATE: _____

NOTE: Continued product improvement makes specification sheets subject to change without notice.



HTHBHVR8BL-NF and HTHBHVRBL-NF

Bi-Level HVR Cooler with HydroBoost™ Bottle Filler

(CONTINUED)

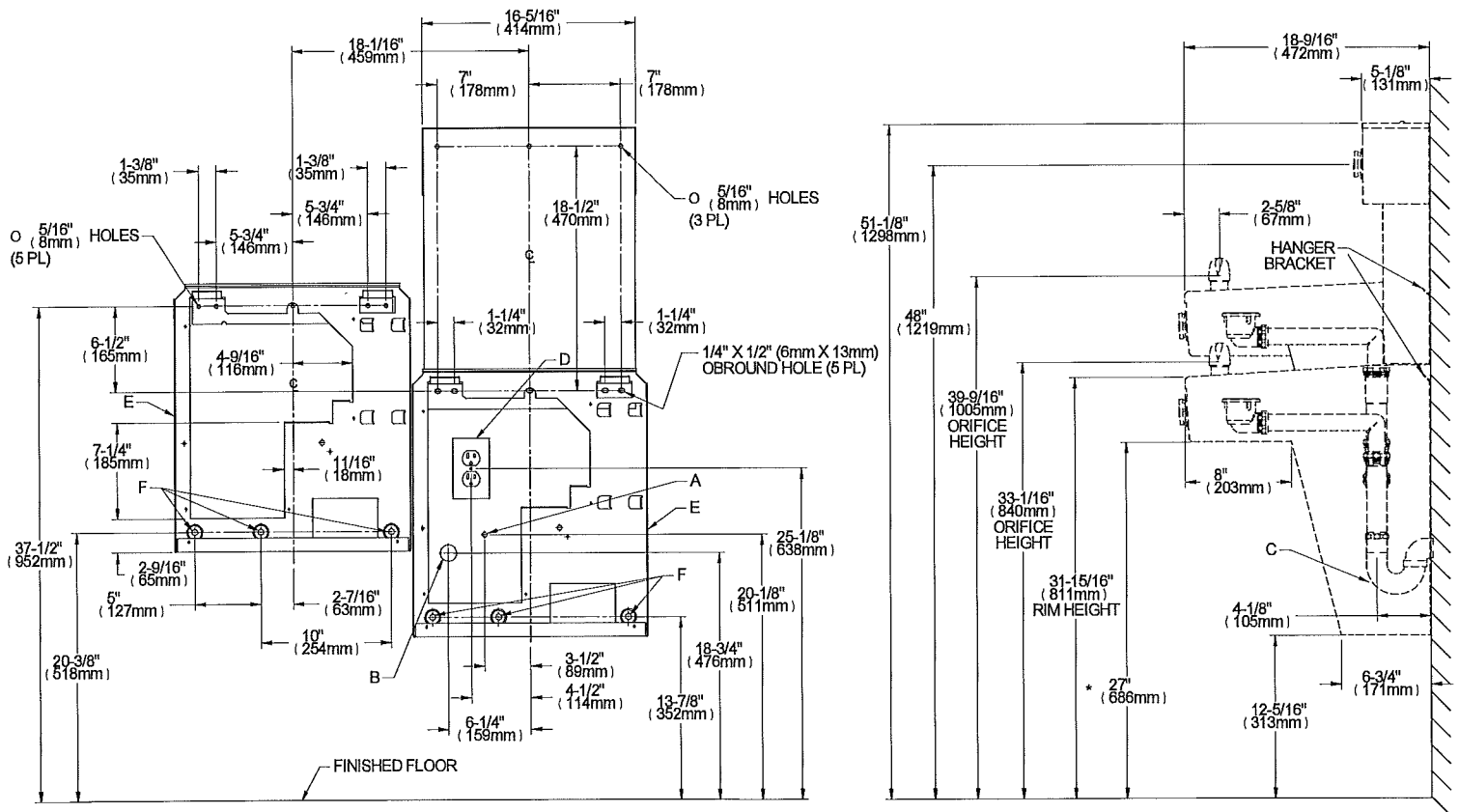
OPERATING PRESSURES

Supply water – 105 psi maximum

Minimum 40 psi supply line pressure required in special circumstances when both units are in use simultaneously to ensure adequate flow.

ELECTRICAL

HydroBoost Station equipped with plug-in, 3-wire ground type service cord. Install 120-volt receptacle, rated at 15-amp minimum, to receive 3-wire parallel blade grounding type male plug.



* REDUCE HEIGHT BY 3" FOR INSTALLATION OF CHILDRENS ADA COOLER

LEGEND:

A = RECOMMENDED WATER SUPPLY LOCATION 3/8" O.D. UNPLATED COPPER TUBE CONNECT STUB 1-1/2" (38mm) OUT FROM WALL. SHUT OFF VALVE NOT FURNISHED.

B = RECOMMENDED LOCATION FOR WASTE OUTLET 1-1/4" O.D. DRAIN.

C = 1-1/2" TRAP NOT FURNISHED.

D = ELECTRICAL SUPPLY (3) WIRE RECESSED BOX, DUPLEX OUTLET REQUIRED.

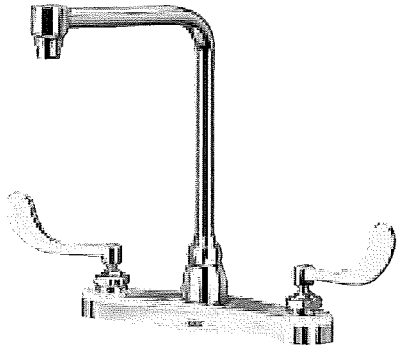
E = INSURE PROPER VENTILATION BY MAINTAINING 6" (152mm) MIN. CLEARANCE FROM CABINET LOUVER TO WALL.

F = 7/16" BOLT HOLES FOR FASTENING UNITS TO WALL.



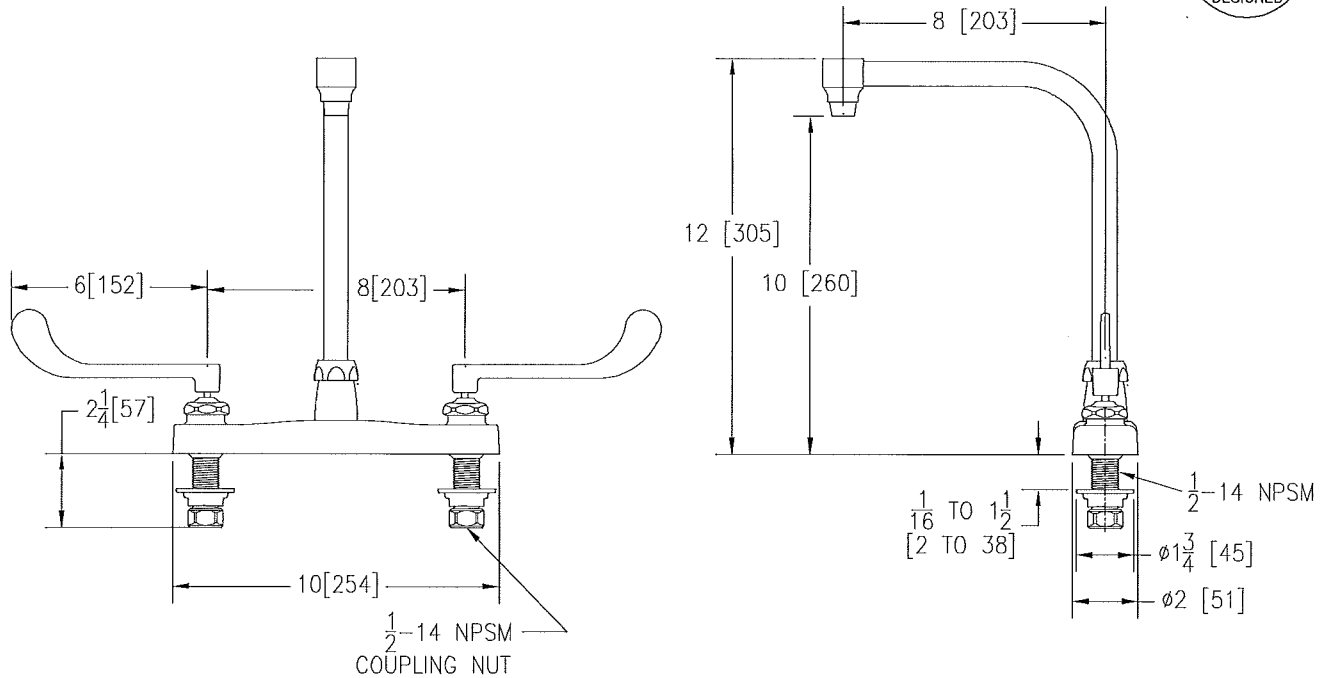
KITCHEN SINK FAUCET
Z871S6

TAG _____



Engineering Specifications: Zurn AquaSpec® Z871S6

Polished chrome-plated 8" [203mm] brass deck faucet with an 8" [203mm] bent riser spout and quarter turn ceramic disc cartridges. Unit is furnished with a 2.2 GPM [8.3 L] pressure compensating aerator (complying with ANSI A112.18.1 Standard for flow), 6" [152mm] vandal-resistant, color-coded metal wrist blade handles, mounting hardware and 1/2" NPSM riser nuts for standard lavatory risers.



Note: All dimensions are for reference only. Do not use for pre-plumbing

OPTIONAL ACCESSORIES

Suffix Description

- ___ -HCT Hot/Cold Text Indexes
- ___ -HS Hose and Spray
- ___ -PT 1-1/4" [32mm] Cast Brass P-Trap with a 7-1/2" [191mm] Long 17-Gauge Wall Bend
- ___ -2M 2.2 GPM [8.3 L] Vandal-Resistant Pressure Compensating Male Aerator
- ___ -3M 0.5 GPM [1.9 L] Vandal-Resistant Pressure Compensating Male Spray Outlet
- ___ -4M 2.2 GPM [8.3 L] Vandal-Resistant Pressure Compensating Male Laminar Flow
- ___ -7M 1.0 GPM [3.8 L] Pressure Compensating Male Spray Outlet
- ___ -16M 1.0 GPM [3.8 L] Vandal Resistant Pressure Compensating Male Spray Outlet
- ___ -17M 1.5 GPM [5.7 L] Vandal Resistant Pressure Compensating Male Aerator
- ___ -18M 1.5 GPM [5.7 L] Vandal Resistant Pressure Compensating Male Laminar Flow

ZURN INDUSTRIES, LLC ♦ COMMERCIAL BRASS OPERATION ♦ 2640 SOUTH WORK STREET ♦ FALCONER NY 14733

Phone: 1-716-665-1132 ♦ Fax: 1-716-665-1135 ♦ World Wide Web: www.zurn.com

In Canada: ZURN INDUSTRIES LIMITED ♦ 3544 Nashua Drive ♦ Mississauga, Ontario L4V1L2 ♦ Phone: 905/405-8272 Fax: 905/405-1292

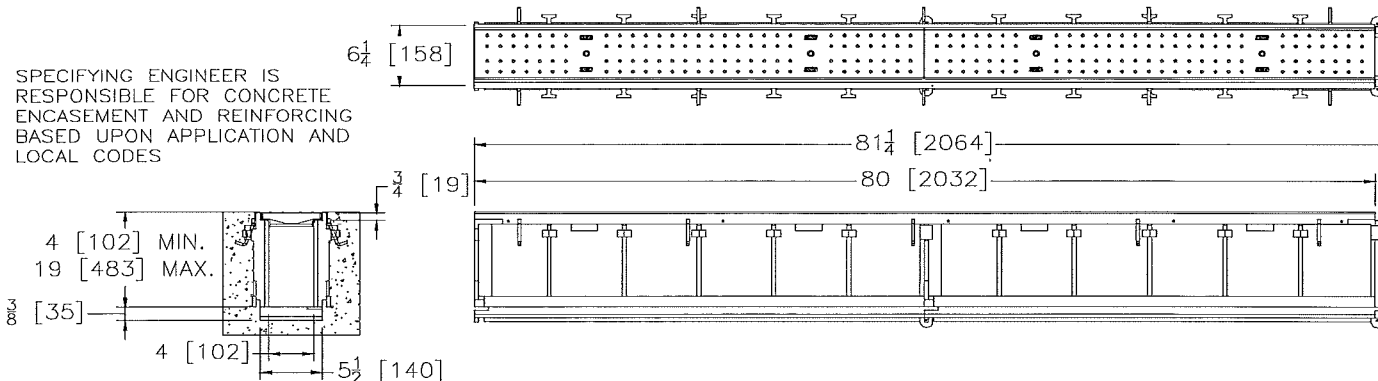


Z874-U-4-HDS
UTILITY TRENCH W/ HEAVY DUTY STAINLESS
STEEL FRAME 4" THROAT WIDTH & COVER

SPECIFICATION SHEET

TAG _____

Dimensional Data (inches and [mm]) are Subject to Manufacturing Tolerances and Change Without Notice



ENGINEERING SPECIFICATION: Zurn Z874-U-4-HDS Channels shall be 80 [2032] long, 6.25 [159] wide reveal and have a 4 [102] wide throat. Modular channel sections shall be made of 0% water absorbent High Density Polyethylene (HDPE). Shall have a positive mechanical connection between channel sections that will not separate during the installation and shall mechanically lock into the concrete surround every 10 [254]. Channels shall weigh less than 2.31 lbs. [1.05kg] per linear foot, smooth bottom with a Manning's coefficient of 0.009 and neutral 0% built in slope. Shall be provided with standard RSC covers that lock down to frame. Zurn 5.375 [137] wide reveal Stainless Steel Cover conforming to ASTM specification A351, Grade CF8 (type 304), cast grate is rated class B per the DIN EN1433 top load classification. Supplied in 20 [508] nominal lengths and 0.75 [19] bearing depth. The 0.105 [2.66] thick Heavy-Duty Stainless Steel Frame Assembly conforms to ASTM specification A-240 (type 304), with 10 - 4 [102] long concrete anchors per 80 [2032]. Grate lockdown bars are to be integral to the frame. All welds must be performed by a certified welder per ASTM standard AWS D1.6. Frames Shall be produced in the U.S.A.

PREFIX OPTIONS (Check/specify appropriate options)

- Z Six-foot, Eight-inch High Density Polyethylene (HDPE) channel, Stainless Steel Heavy Duty Frame with anchor studs *

SUFFIX OPTIONS (Check/specify appropriate options)

Outlet Adapters Add/Each

- E1 Closed End Cap
- E2 2 [51] No-Hub End Outlet (6 [152] min.)
- E4 4 [102] No-Hub End Outlet (8 [203] min.)
- E6 6 [152] No-Hub End Outlet (10 [254] min.)
- U4 4 [102] No-Hub Bottom Outlet
- U6 6 [152] No-Hub Bottom Outlet

Grate Options (Load Classifications are per DIN EN1433)

- DCE Ductile Iron Solid Cover - Class E

Made in the U.S.A. (Load Classifications are per DIN EN1433)

- RSC Reinforced Stainless Steel Cover - Class B *

Miscellaneous Options

- DB Bottom Dome Strainer
- SSGL Stainless Steel Lockdown
- VP Vandal-Proof Lockdown

*REGULARLY FURNISHED UNLESS OTHERWISE SPECIFIED

REV.	DATE: 7/2/10	C.N. NO. 120522
DWG. NO. 303524	PRODUCT NO. Z874-U-4-HDS	

MOP - SINKS



T&S BRASS AND BRONZE WORKS, INC.

2 Saddleback Cove / P.O. Box 1088
Travelers Rest, SC 29690



Model No.

B-0665-BSTP

Item No.

Travelers Rest, SC: 800-476-4103 • Simi Valley, CA: 800-423-0150 • Fax: 864-834-3518 • www.tsbrass.com

This Space for Architect/Engineer Approval

Job Name _____ Date _____

Model Specified _____ Quantity _____

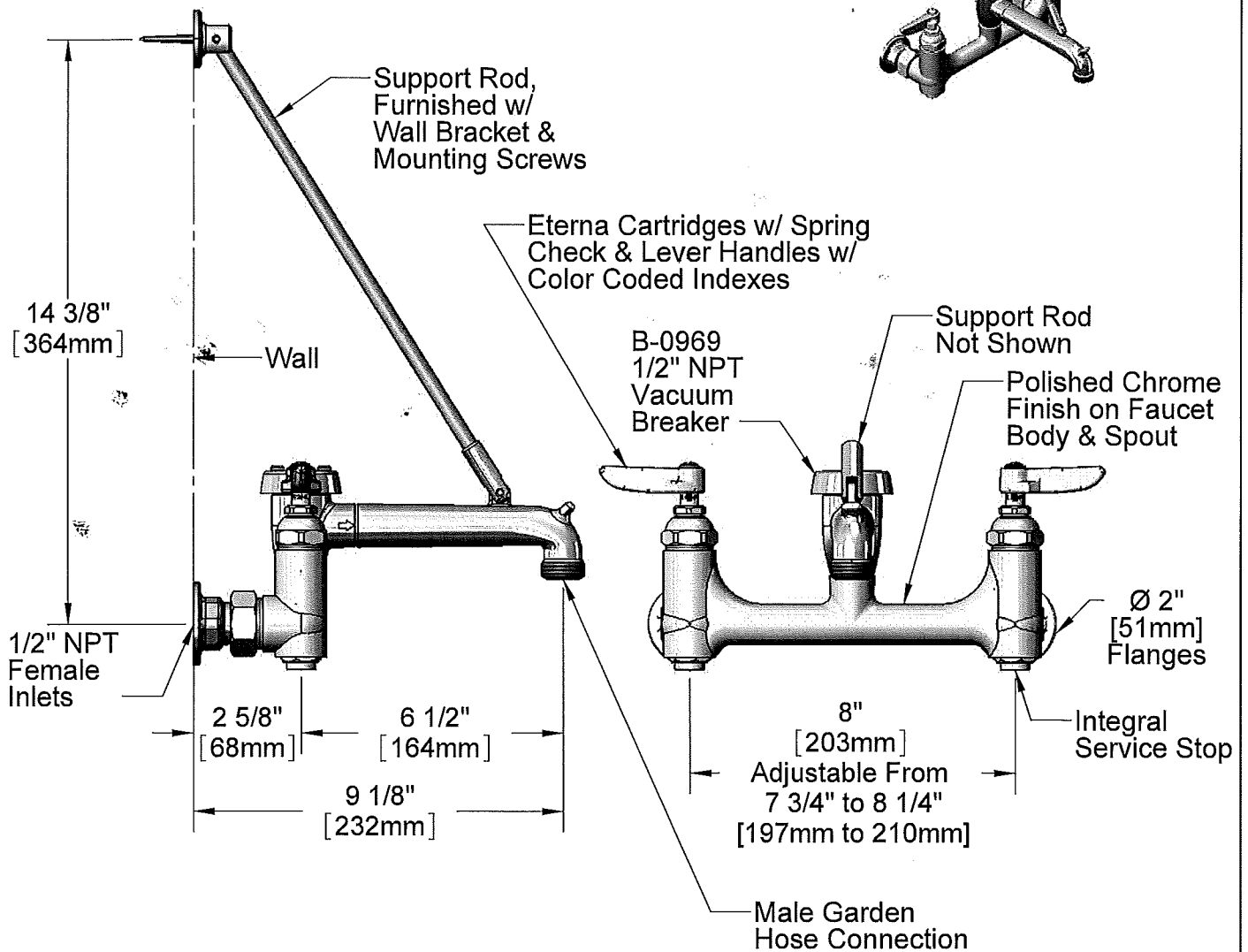
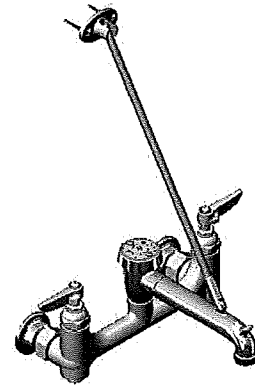
Customer/Wholesaler _____

Contractor _____

Architect/Engineer _____



ADA Compliant



Product Specifications:
Service Sink, Inlet Stops, Eterna Spring Check Cartridges,
Lever Handles, Polished Chrome

Drawn DHL	Checked JRM	Approved JHB
Scale: 1:4		Date: 03/22/11



T&S BRASS AND BRONZE WORKS, INC.

2 Saddleback Cove / P.O. Box 1088
Travelers Rest, SC 29690



Model No.

B-0674-BSTP

Item No.

Travelers Rest, SC: 800-476-4103 • Simi Valley, CA: 800-423-0150 • Fax: 864-834-3518 • www.tsbrass.com

This Space for Architect/Engineer Approval

Job Name _____ Date _____

Model Specified _____ Quantity _____

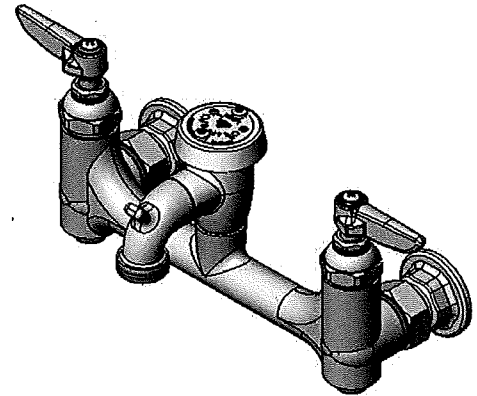
Customer/Wholesaler _____

Contractor _____

Architect/Engineer _____



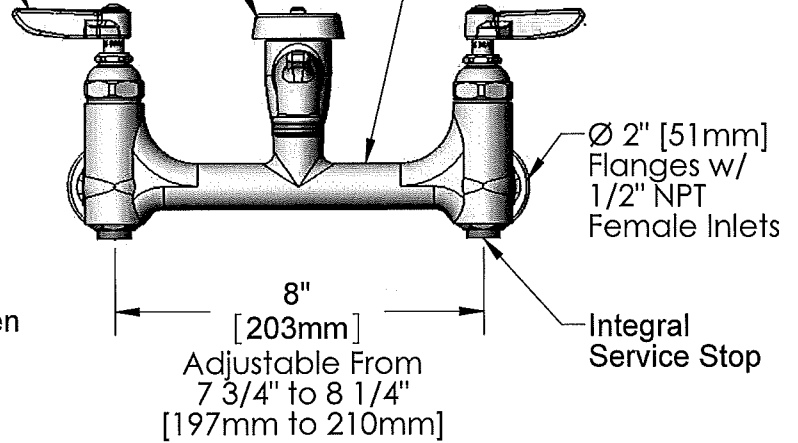
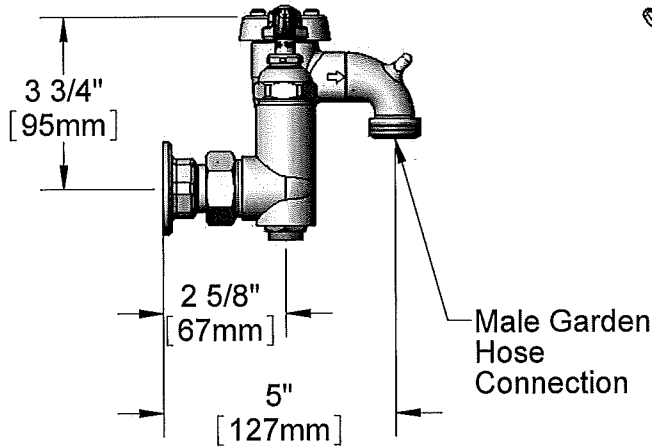
ADA Compliant



Eterna Cartridges w/
Spring Checks &
Lever Handles w/
Color Coded Indexes

B-0969
1/2" NPT
Atmospheric
Vacuum
Breaker

Polished Chrome
Finish on Faucet
Body & Spout



Product Specifications:
Polished Chrome Service Sink, Inlet Stops, Eterna Cartridges
w/ Spring Checks & Lever Handles

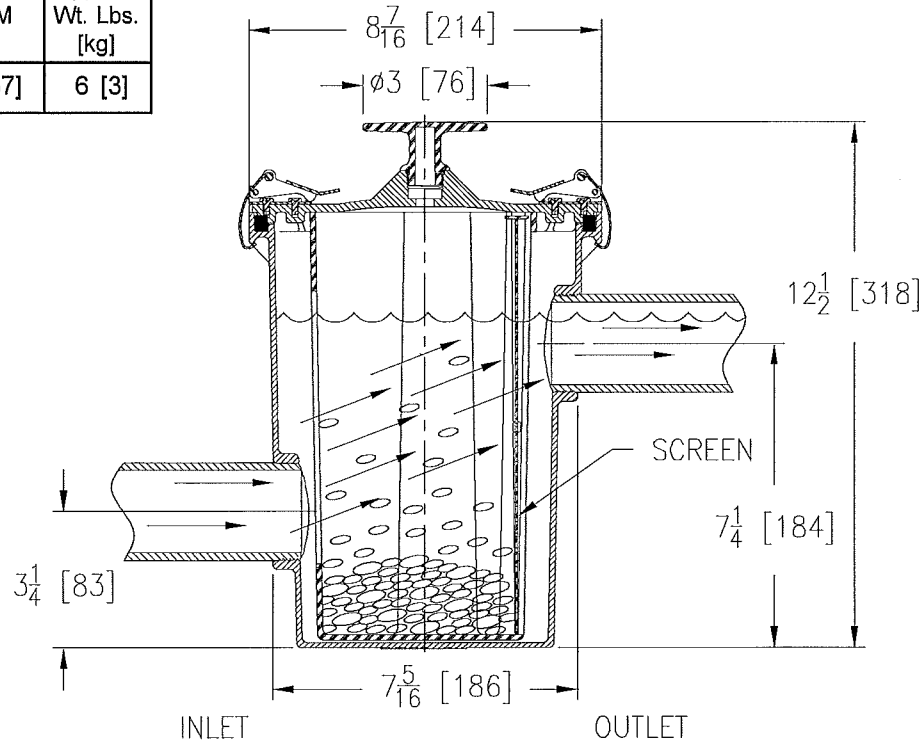
Drawn DHL	Checked KJG	Approved JHB
Scale: 1:4		Date: 09/22/11



Z1180 Solids Interceptor

Operation and Maintenance Instructions

Inlet/Outlet Inches	Flow Rate GPM [L]	Approx. Wt. Lbs. [kg]
1 1/2, 2** [38, 51]	15 [57]	6 [3]



SIZING

There are no sizing requirements for this interceptor, except to specify the inlet and outlet size. All units are made with a standard 2 [51] pipe size inlet and outlet, reduced to 1 1/2 [38] with a bushing when specified and are capable of handling drainage volumes standard to their respective pipe size.

DESIGN

The Zurn Z1180 Solids Interceptor is designed to recover all types of solids from precious metal particles, to plaster, clay or similar materials. This is accomplished through the principal of gravity separation. Particles of various sizes and weights are trapped in the bucket.

OPERATION

The waste water flows from the inlet piping into the removable bucket, passing through the screen, into the main body chamber, then exits the interceptor to the sanitary drain system.

MAINTENANCE

Cleaning should be done on a regular basis, either before or after the bucket becomes clogged. First unlatch and remove the cover/bucket assembly, twist and lift the bucket to remove from cover, take out the screen and clean out all debris. Replace the screen in the bucket, next place the bucket back on the cover, twist to reattach. Make certain cover gasket is intact and clean. Apply a light coating of oil on the cover gasket, which helps prevent cover gasket from adhering to cover and aids in maintaining a complete seal. The cover/bucket assembly should then be placed back in the unit, **MAKING SURE THE SCREEN IN THE BUCKET IS ON THE OUTLET SIDE AS SHOWN**, and relatch to secure cover. Efficiency of operation is directly related to the level of maintenance.

Form # IT59 Date: 2/8/07 C.N. No. 96173 Rev. B