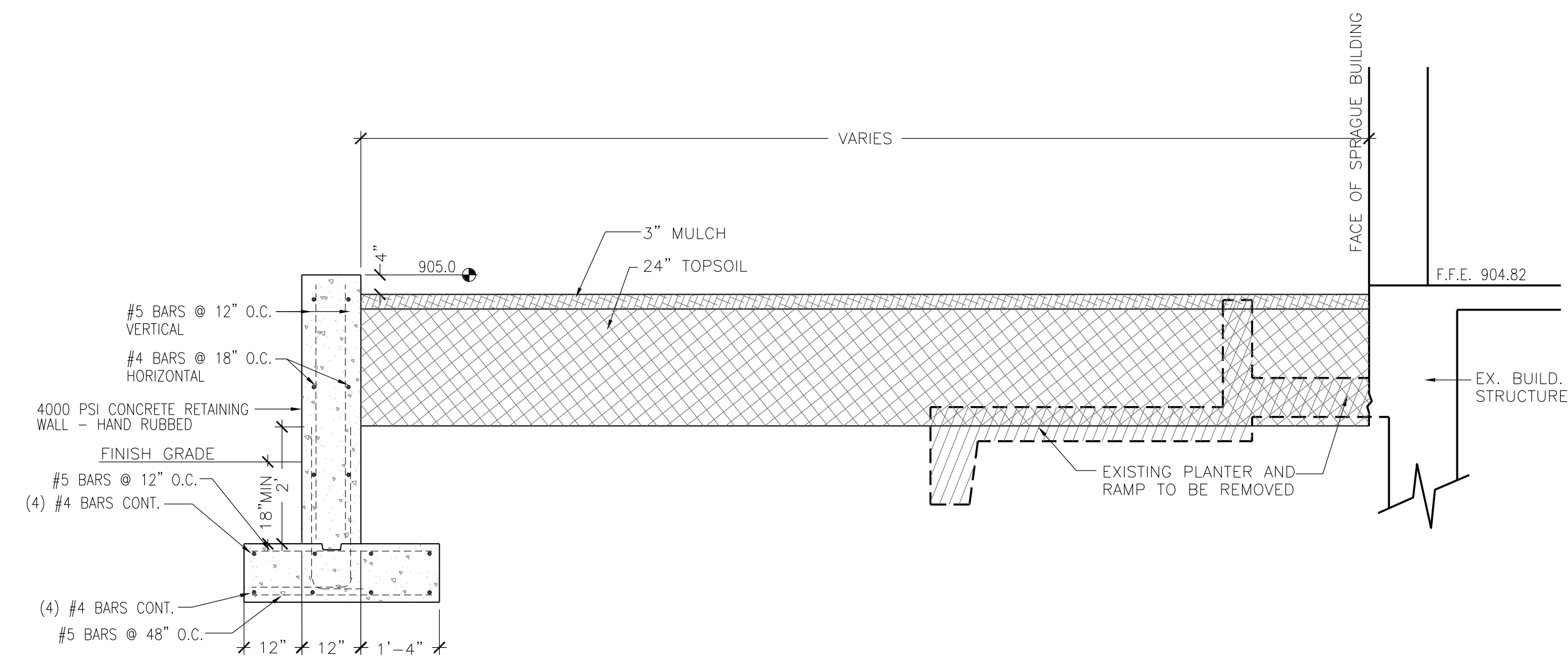
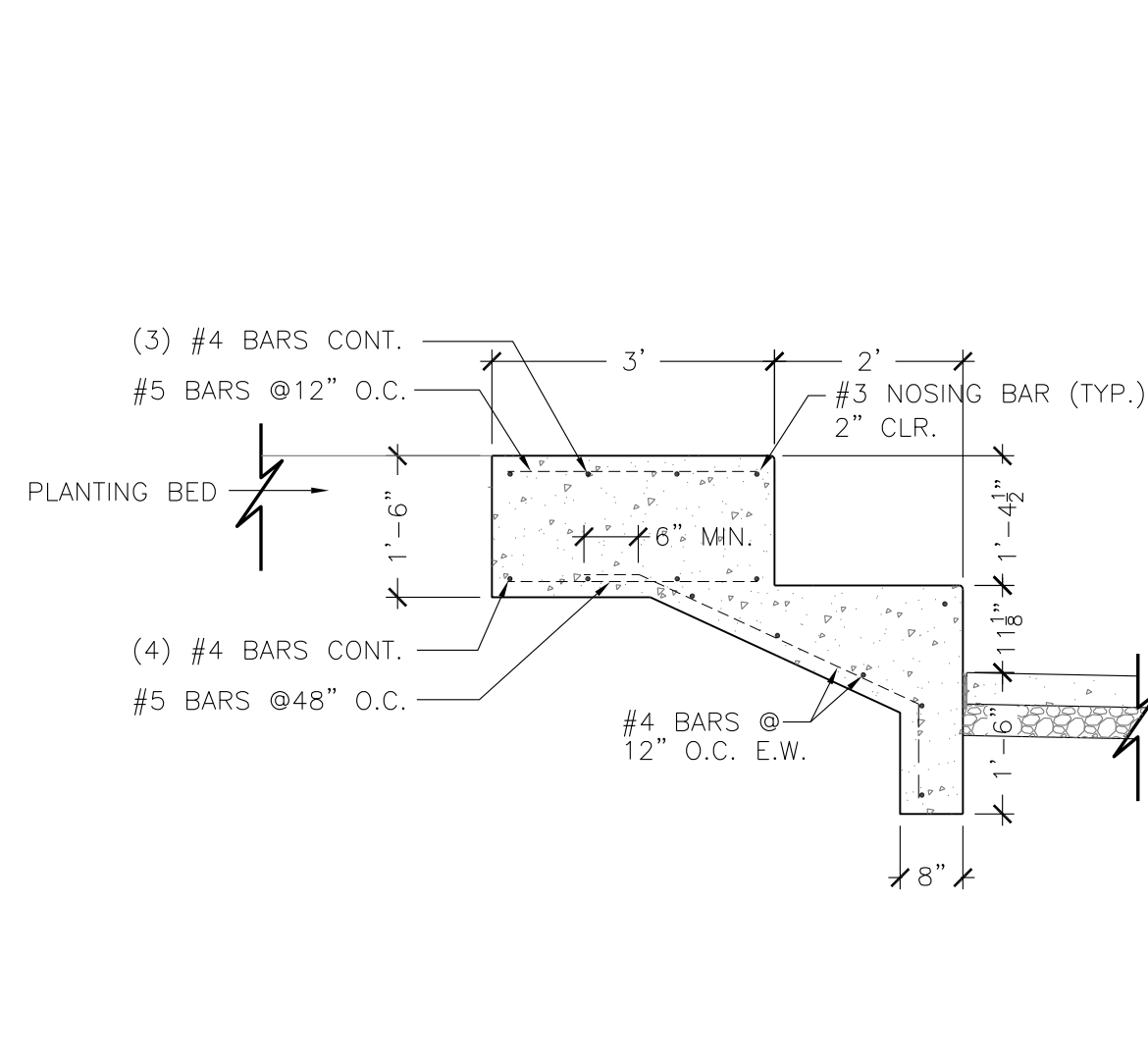


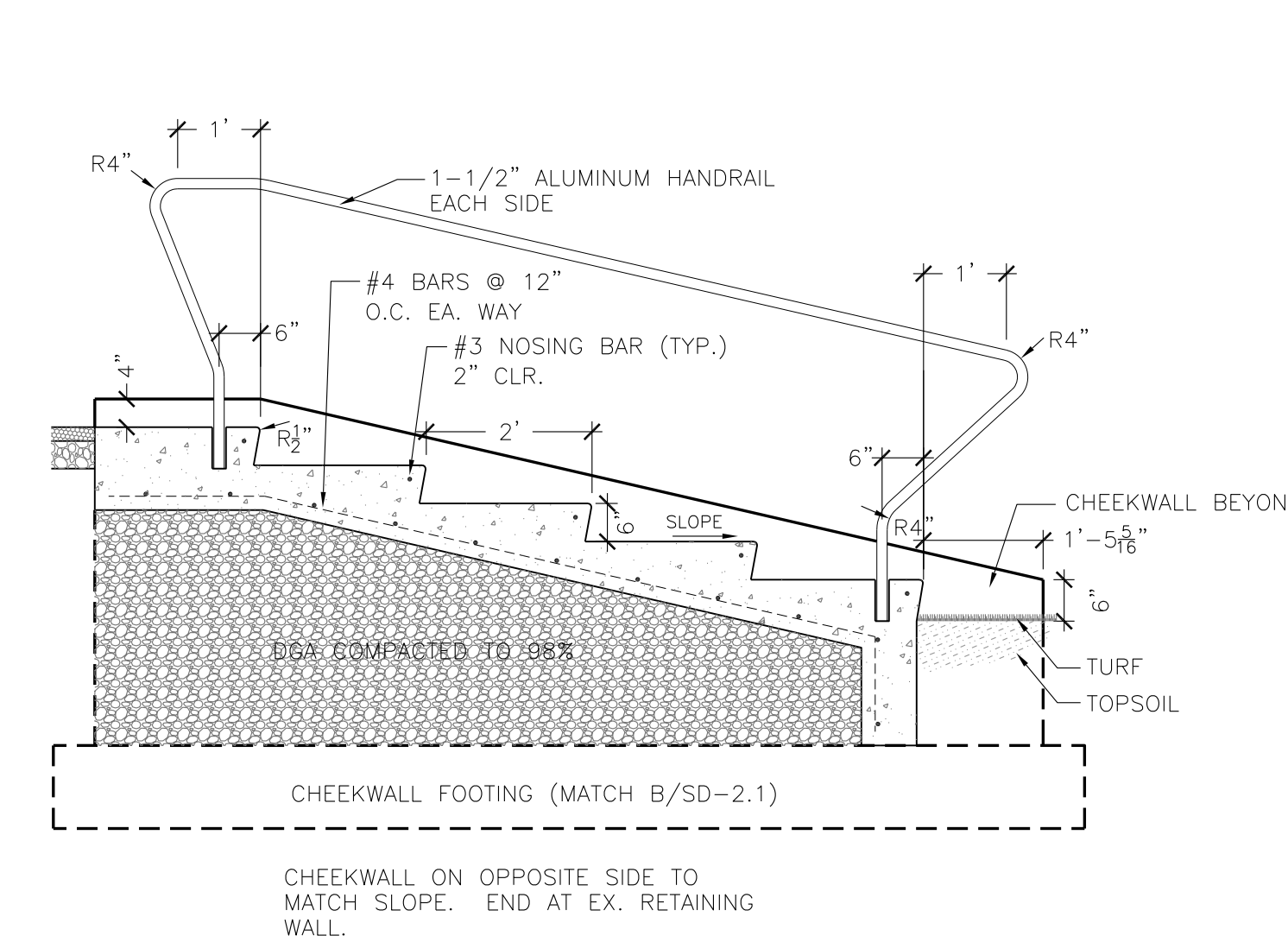
A STEP SECTION
SCALE: 1/2" = 1'

B RAMP SECTION
SCALE: 1/2" = 1'

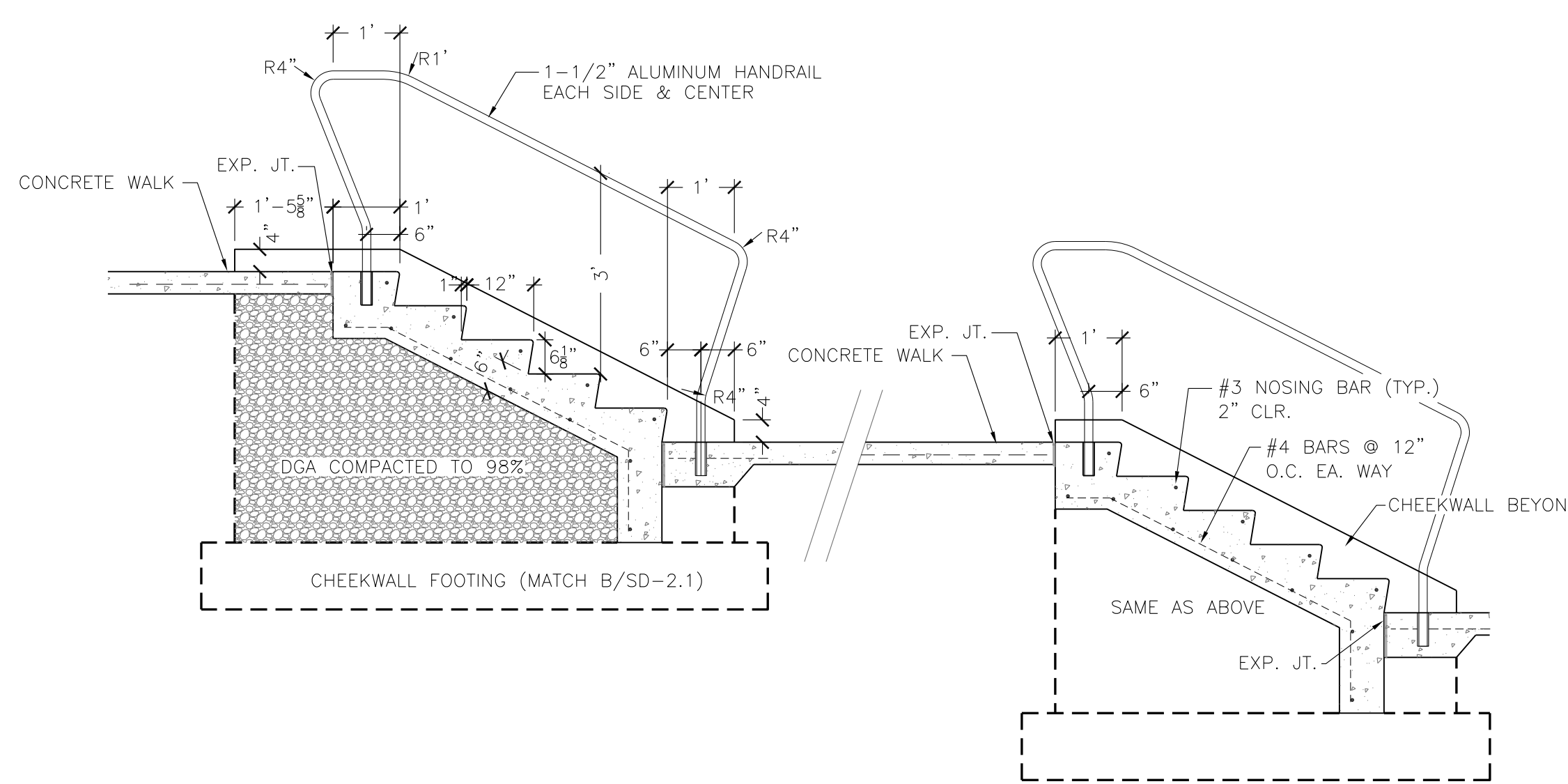


C MONOLITHIC SEAT WALL SECTION
SCALE: 1/2" = 1'

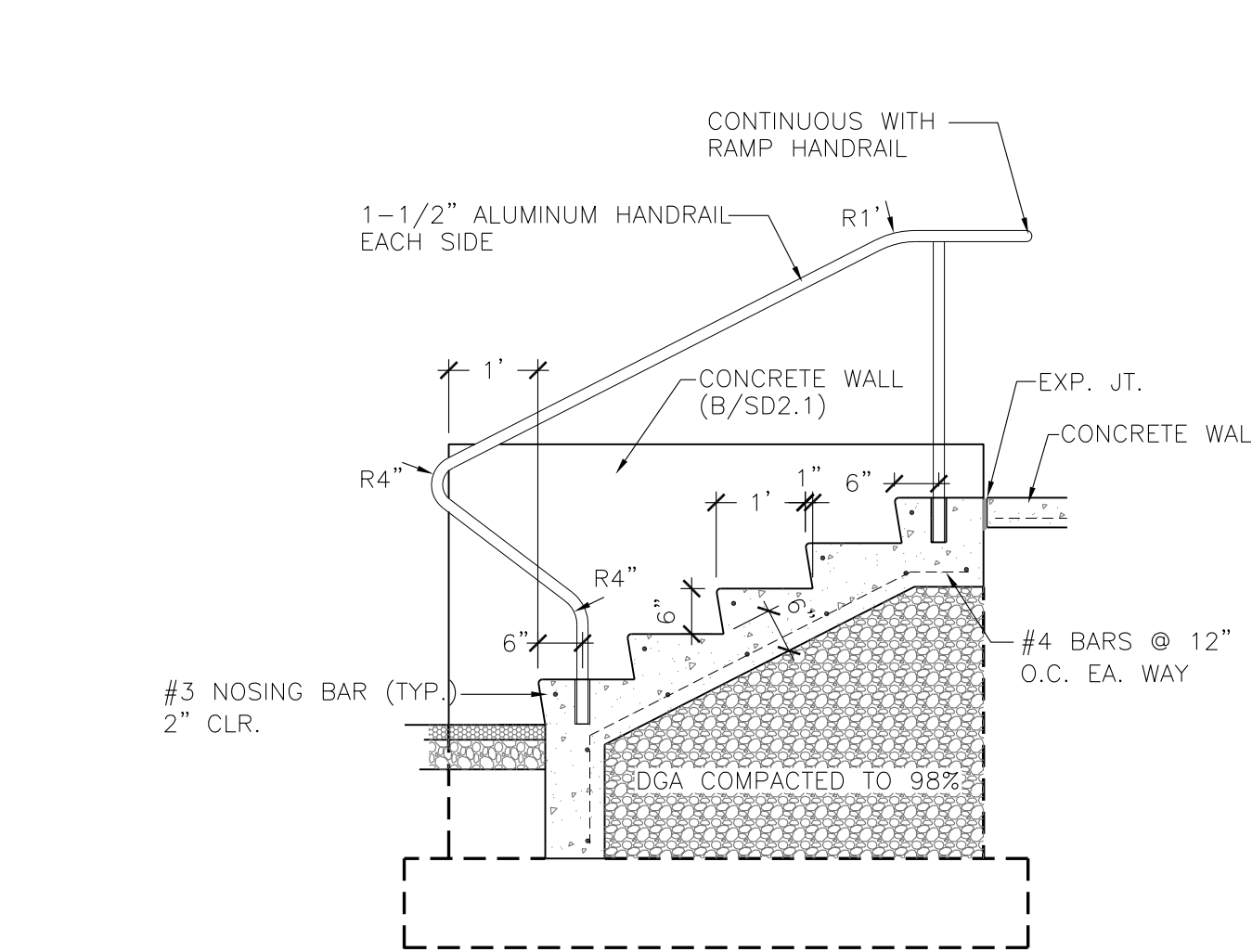
D PLANTER SECTION
SCALE: 1/2" = 1'



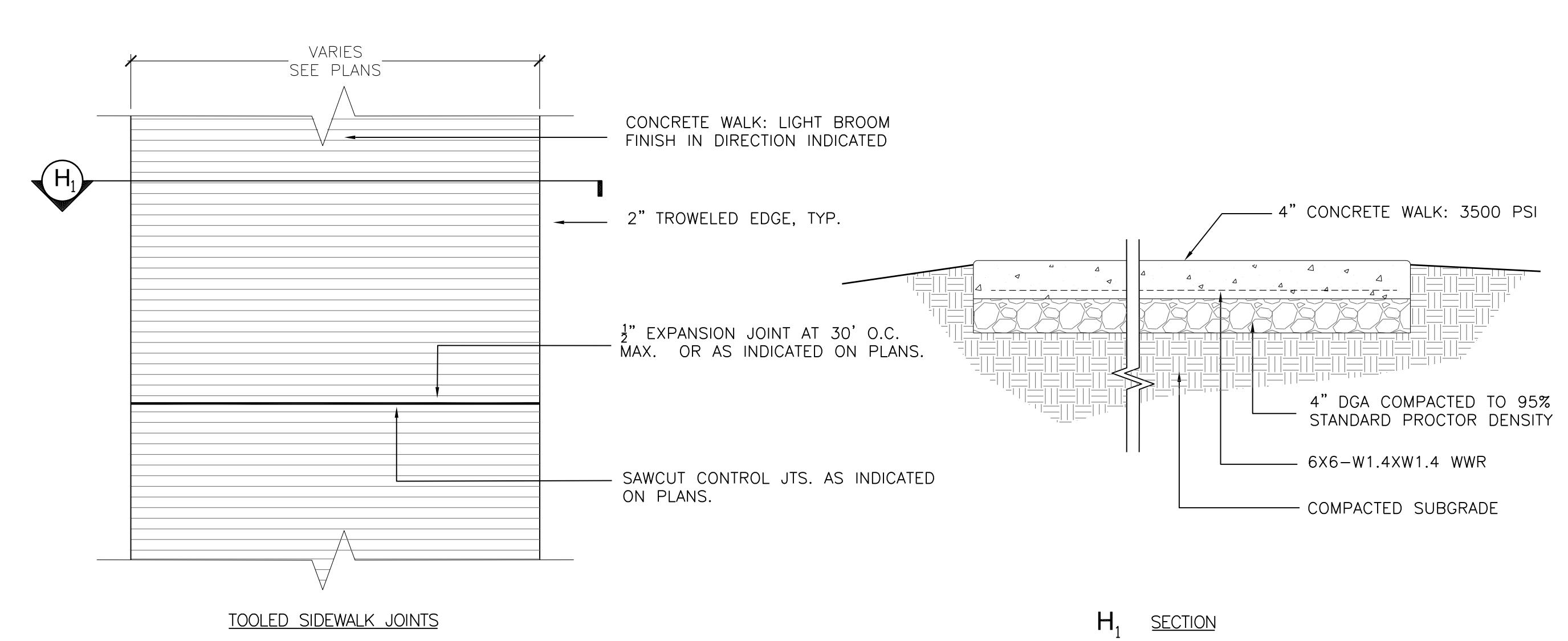
E STEPS TO LAWN
SCALE: 1/2" = 1'



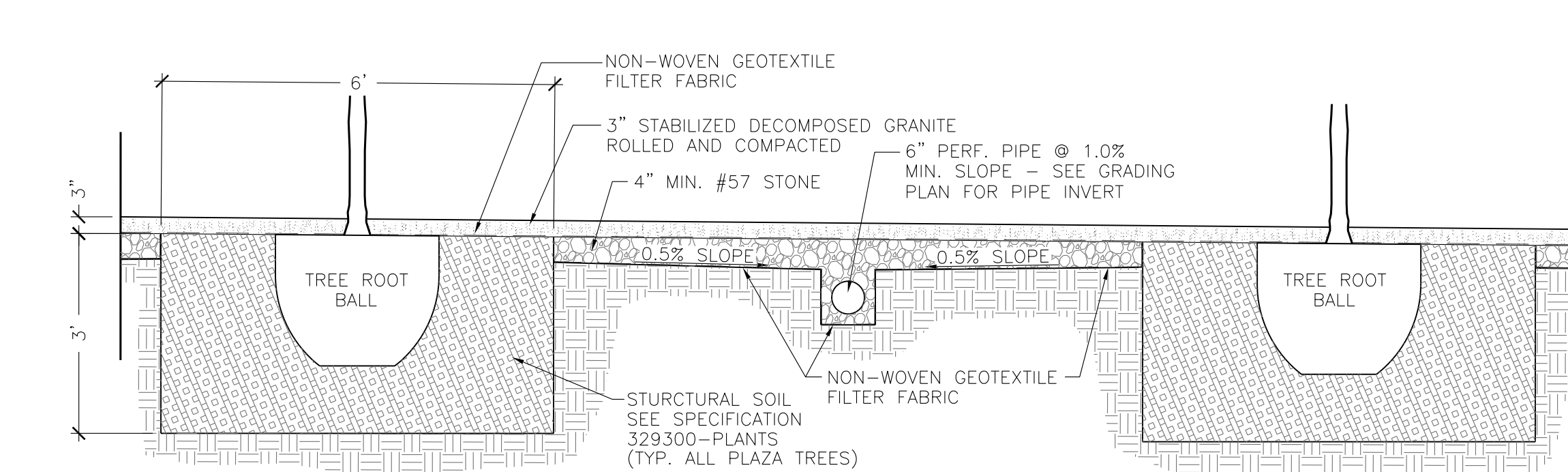
F CSG FRONT STEPS
SCALE: 1/2" = 1'



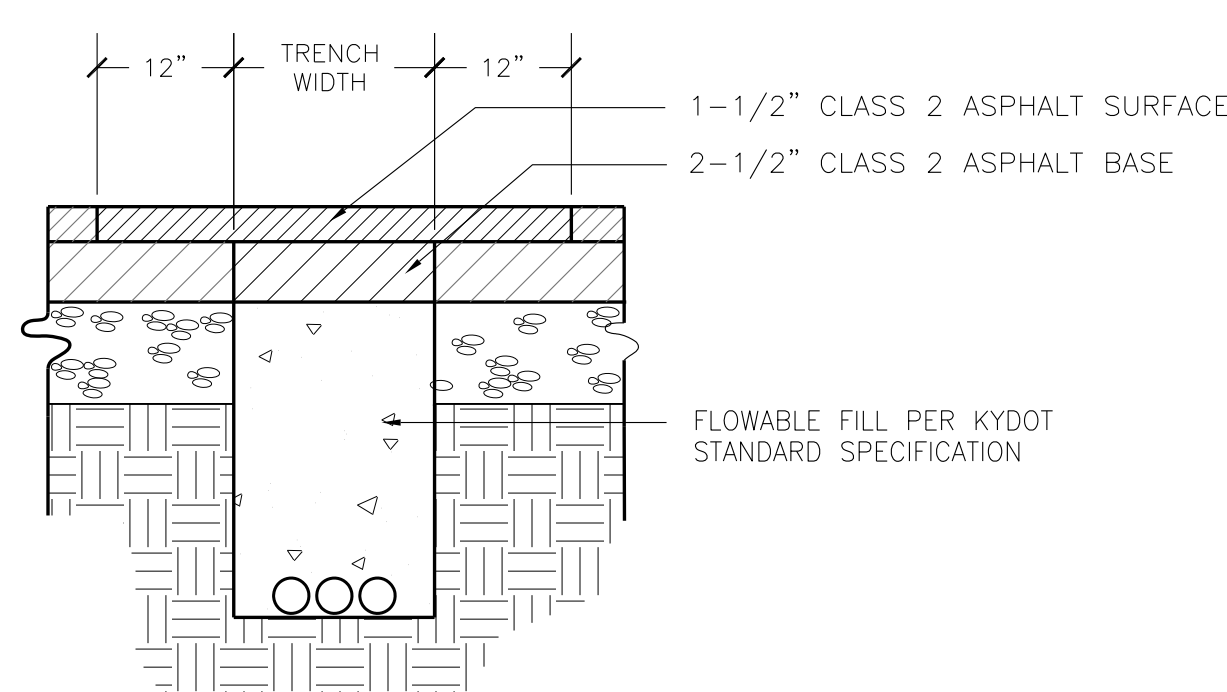
G STEPS TO CRUSHED GRANITE PLAZA
SCALE: 1/2" = 1'



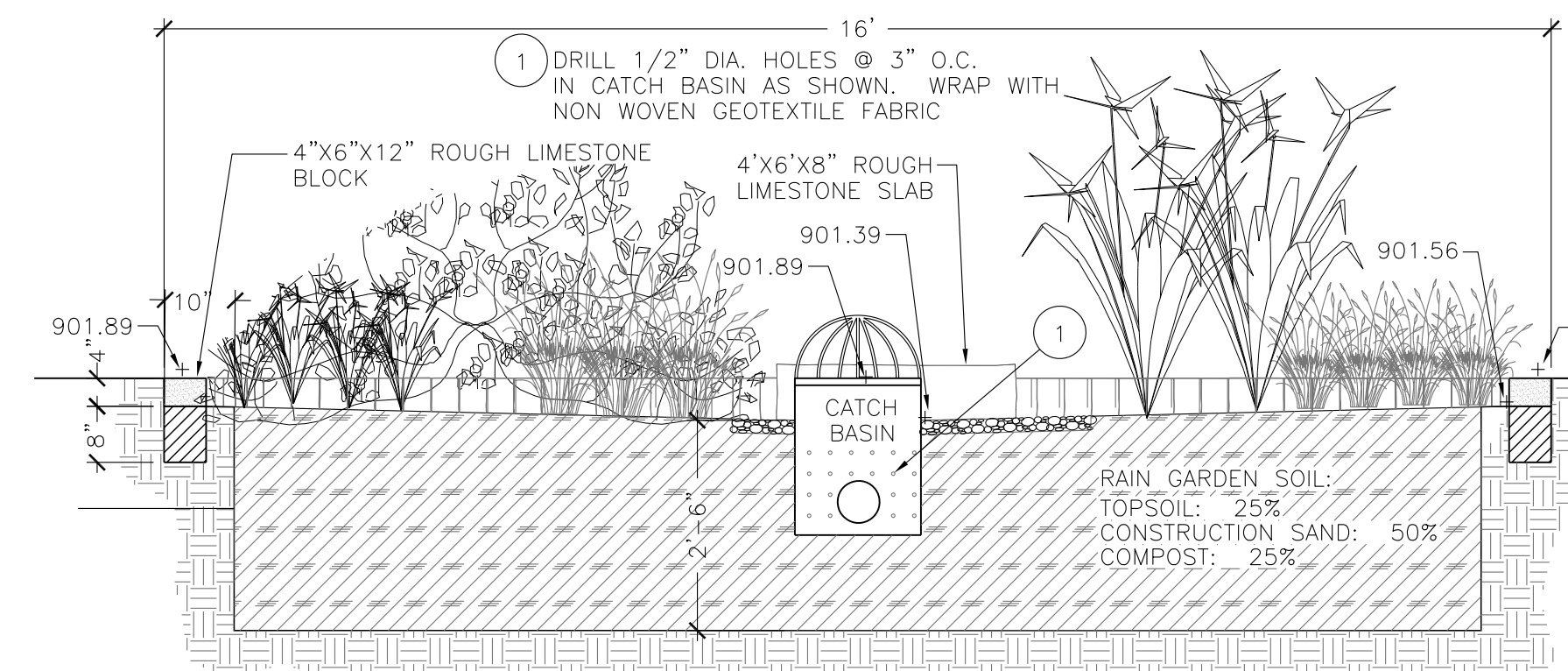
H STEPS TO CRUSHED GRANITE PLAZA
SCALE: NTS



I DECOMPOSED GRANITE PLAZA
SCALE: 1/2" = 1'



J UTILITY TRENCH IN ASPHALT
SCALE: NTS



K RAIN GARDEN SECTION
SCALE: NTS

REVISIONS		DATE	The Council of State Governments Building Complex Renovation	
1			Lexington, Kentucky	
2			PLAZA DETAILS	
3			DRAWN BY TE	
4			COMMONWEALTH OF KENTUCKY	
5			DIVISION OF ENGINEERING & CONTRACT ADMINISTRATION	
6			DEPARTMENT FOR FACILITIES AND SUPPORT SERVICES	
7			CHECKED BY CH	
8			FRANKFORT, KENTUCKY	
9			A & E FILE NO	
		Nov. 2013	13-107	REVIEWED: DNY, OF ENGR.
			AGENCY AUTHORIZED AGENT	APPROVED FOR PROGRAM CONCEPT ONLY
			DIVISION OF ENGINEERING	APPROVED FOR PROGRAM CONCEPT ONLY

