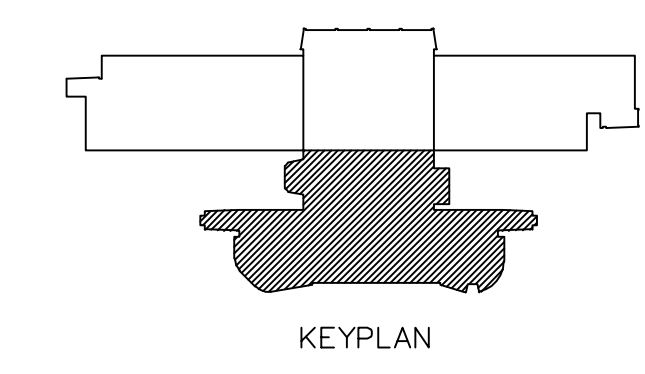


3rd FLOOR LABORATORY PLAN S  
**A-10.10**

01-14-03

PARTIAL THIRD FLOOR PLAN  
 1/4"=1'-0"



REVISIONS	DATE	NORTHERN KENTUCKY UNIVERSITY NATURAL SCIENCE BUILDING		PHASE C
1				DRAWING NO. <b>A=10.10</b>
2				REVIEWED DIV. OF ENGR.
3				ENGR. FILE NO.
4				
5				
6				
7				
8				
9				

DRAWN BY <b>AREJM</b>	COMMONWEALTH OF KENTUCKY FINANCE AND ADMINISTRATION CABINET
CHECKED BY <b>SCH</b>	DIVISION OF ENGINEERING DEPARTMENT FOR FACILITIES MANAGEMENT FRANKFORT, KENTUCKY
A & E FILE NO.	
DATE <b>6/99</b>	
AGENCY AUTHORIZED AGENT	APPROVED FOR PROGRAM CONCEPT ONLY
DIVISION OF ENGINEERING	APPROVED FOR PROGRAM CONCEPT ONLY

health education + research associates  
**hera**

