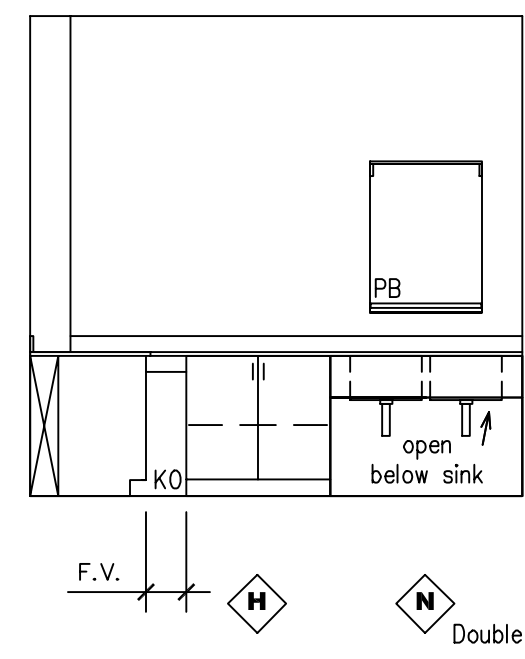
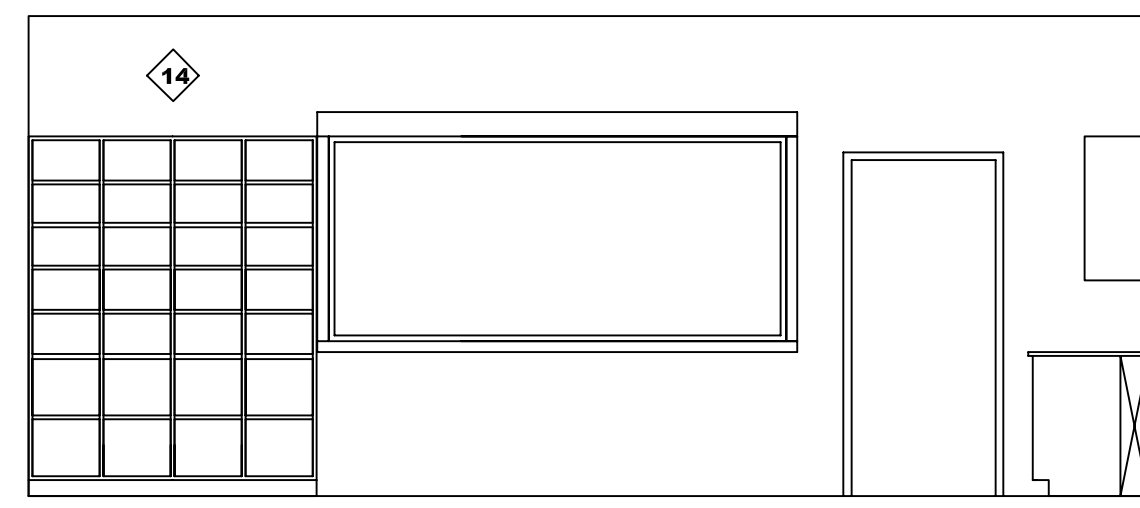


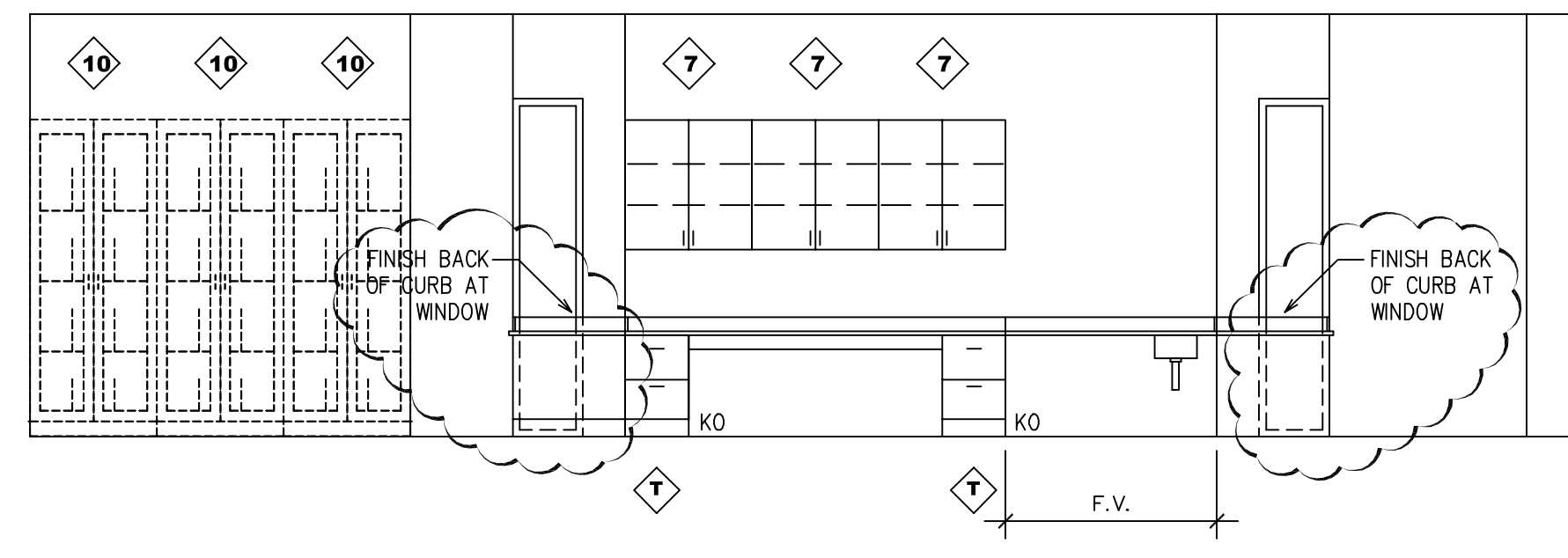
1
A10.16/ 1/4"=1'-0"



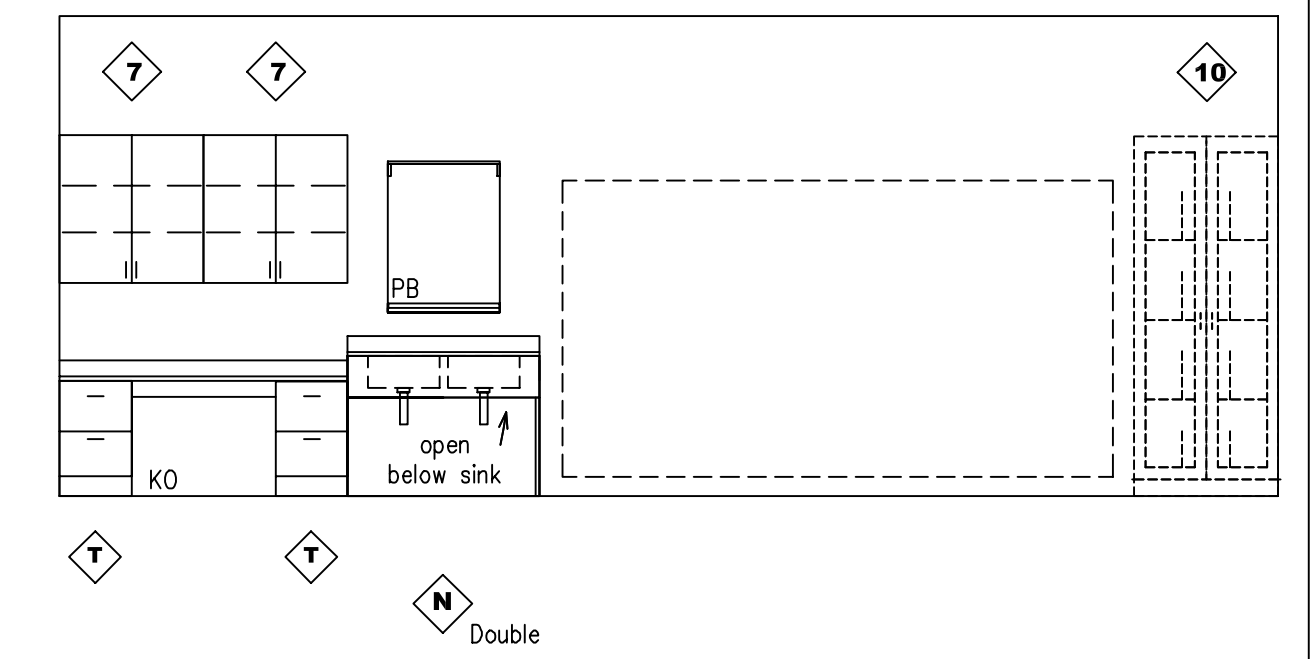
2
A10.16/ 1/4"=1'-0"



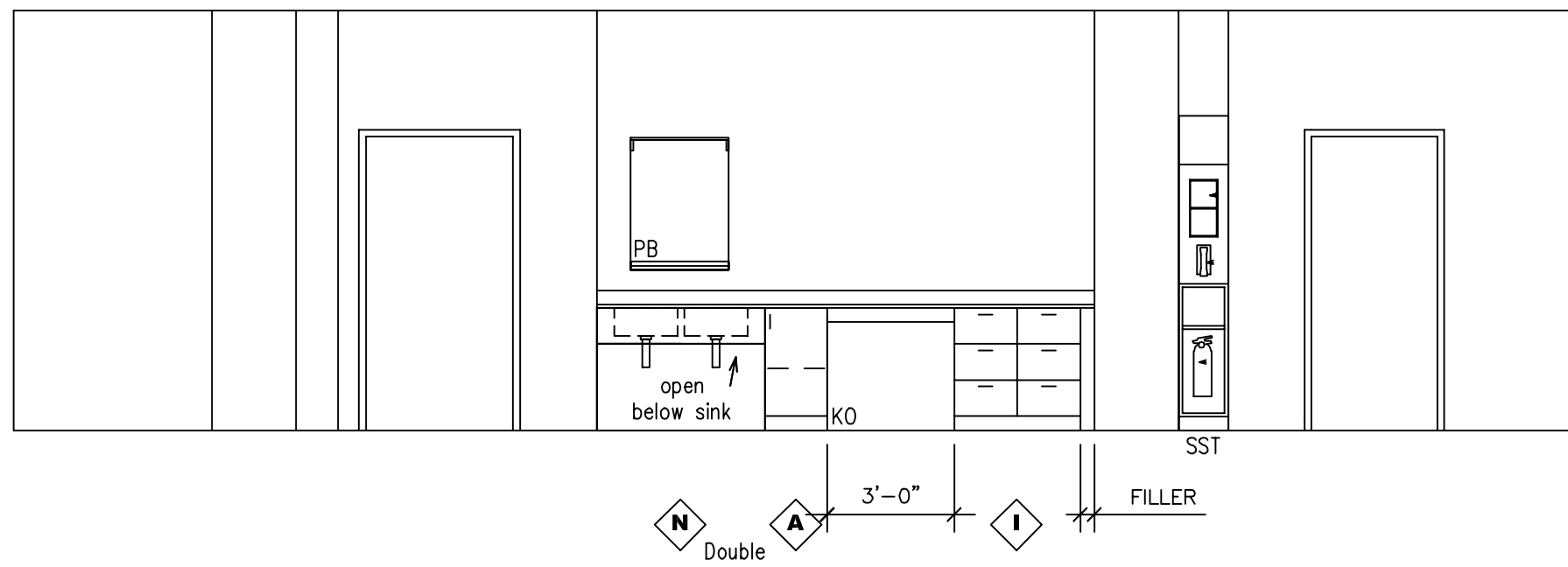
6
A10.16/ 1/4"=1'-0"



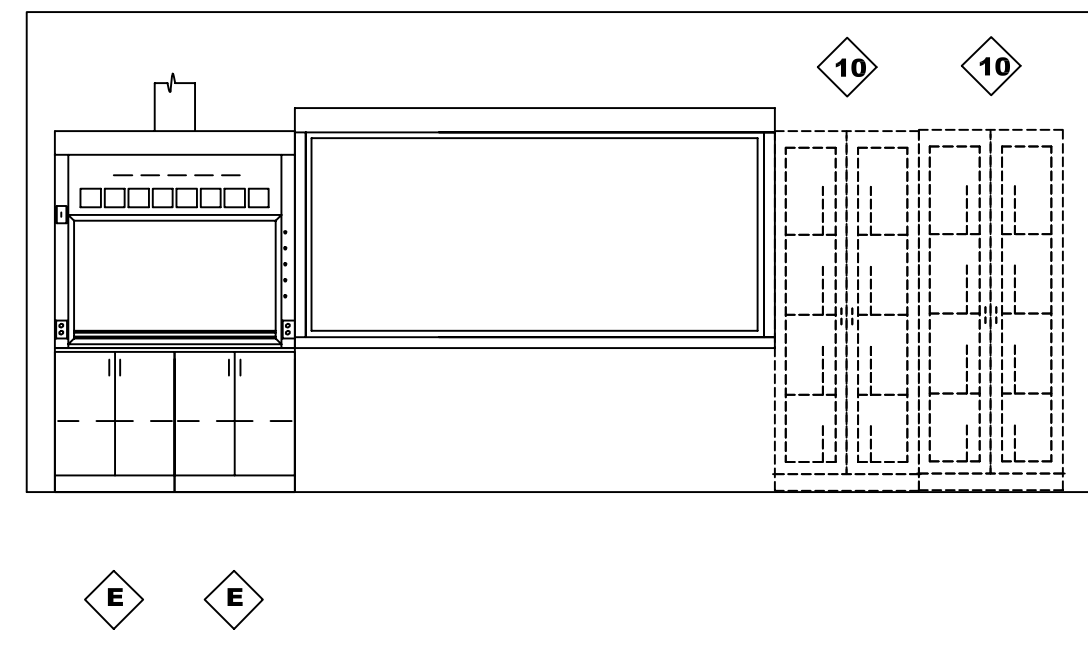
7
A10.16/ 1/4"=1'-0"



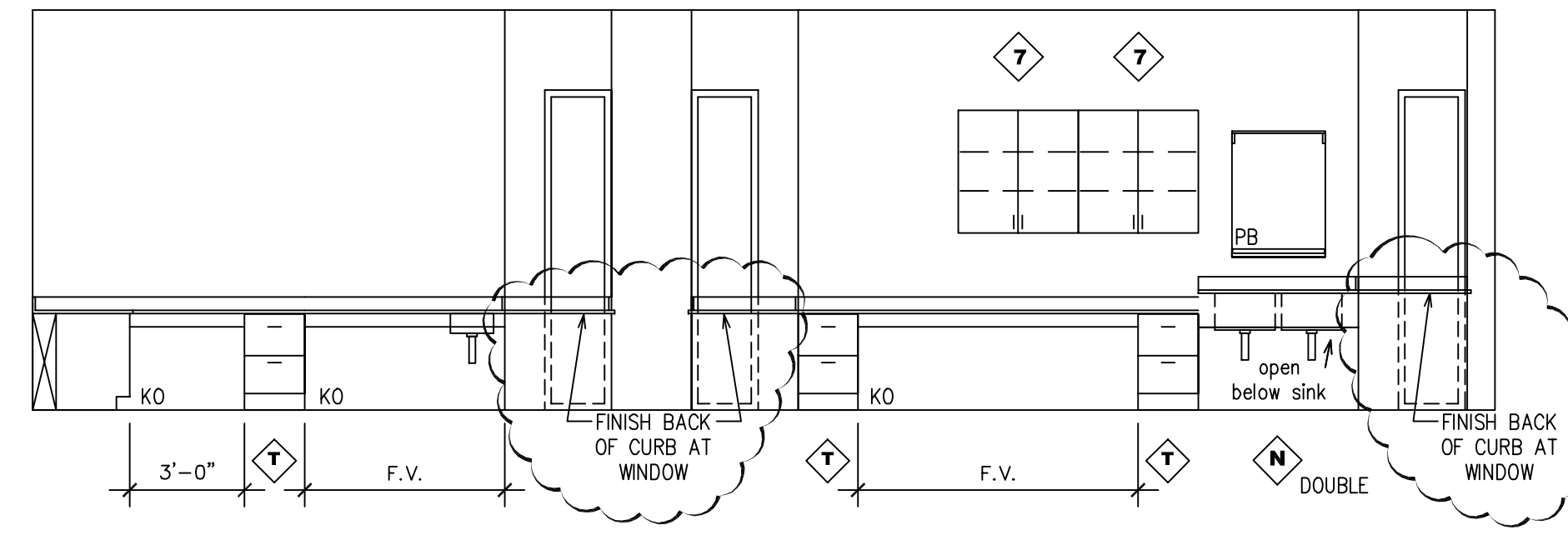
8
A10.16/ 1/4"=1'-0"



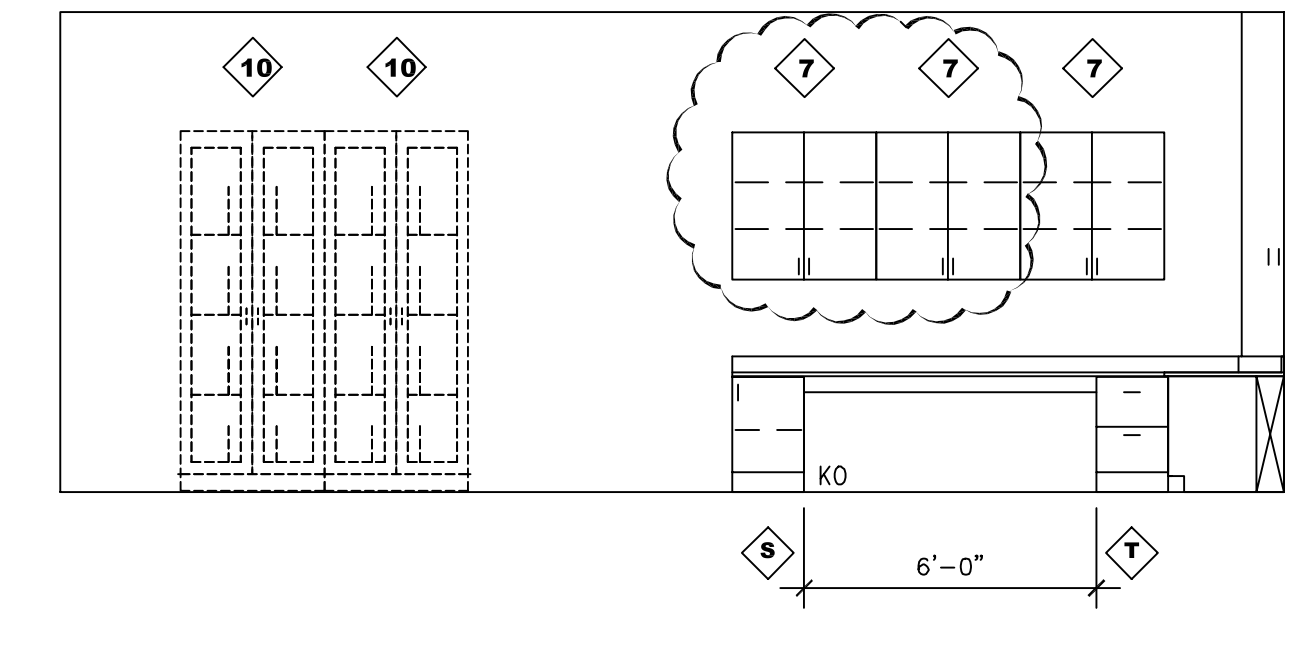
9
A10.16/ 1/4"=1'-0"



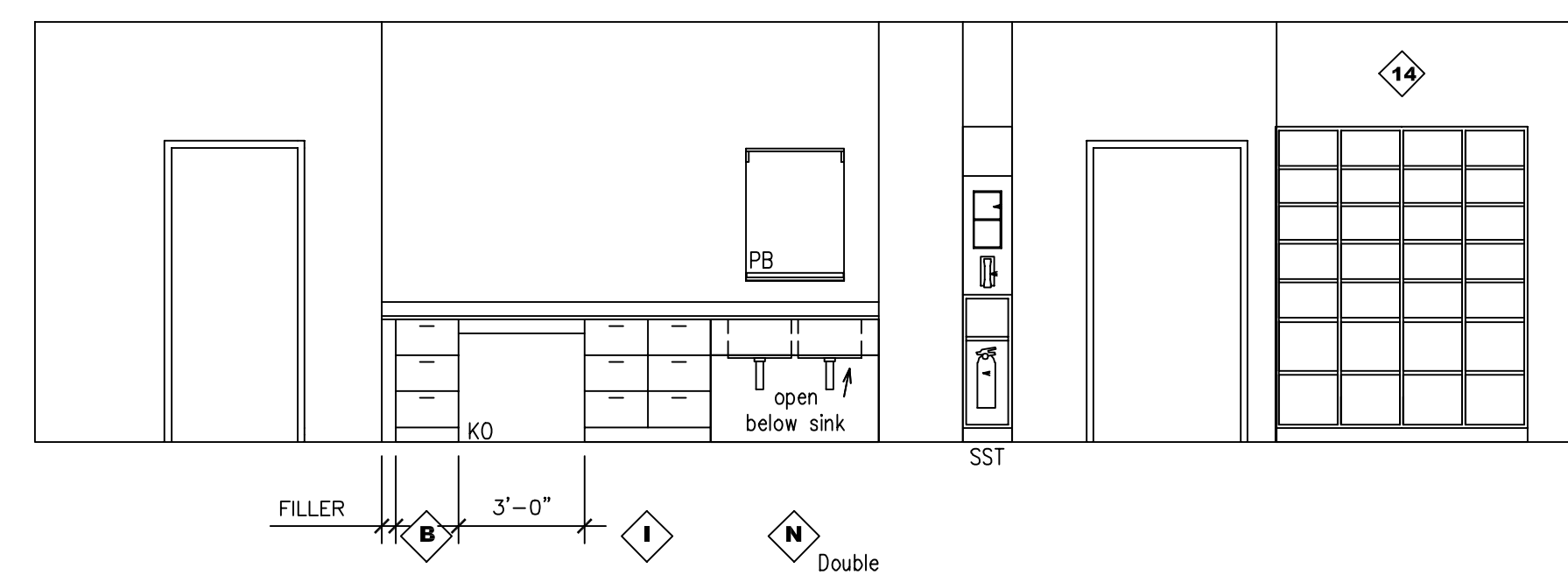
10
A10.16/ 1/4"=1'-0"



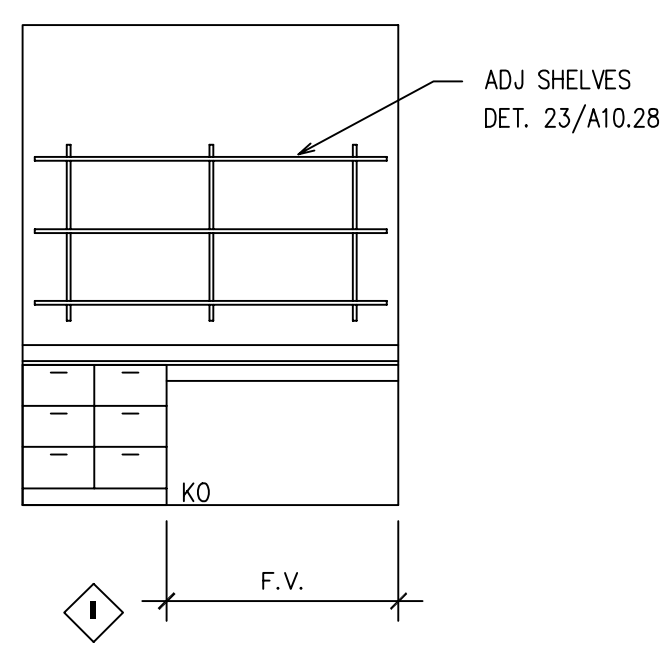
11
A10.16/ 1/4"=1'-0"



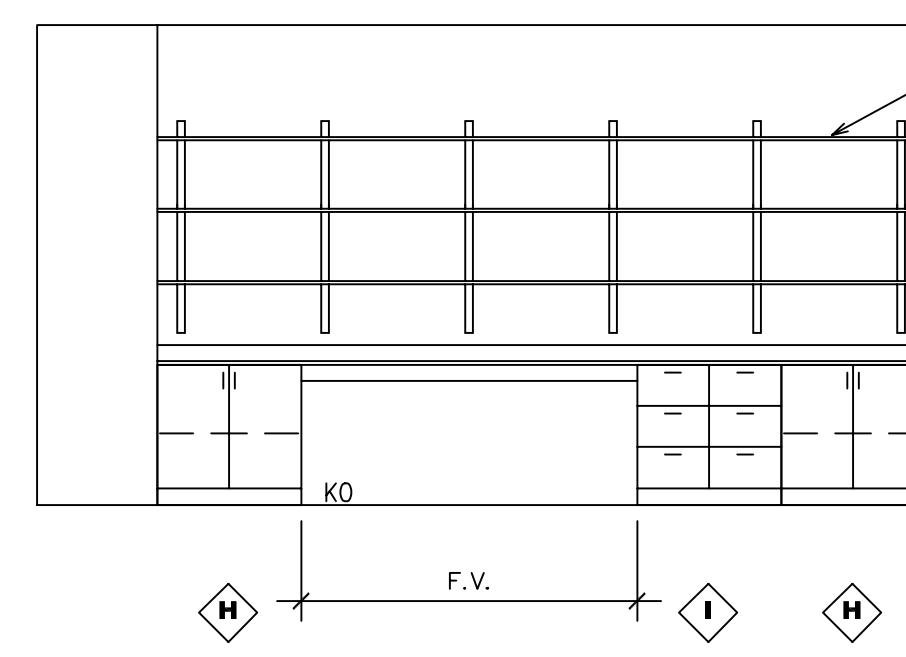
12
A10.16/ 1/4"=1'-0"



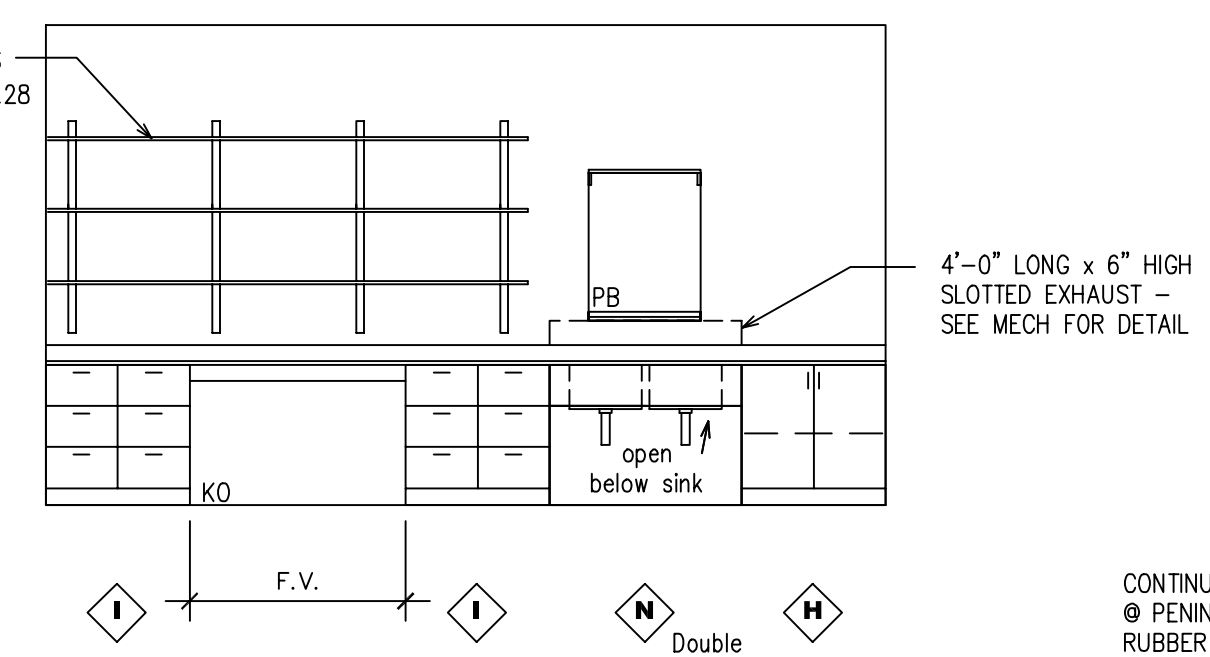
13
A10.16/ 1/4"=1'-0"



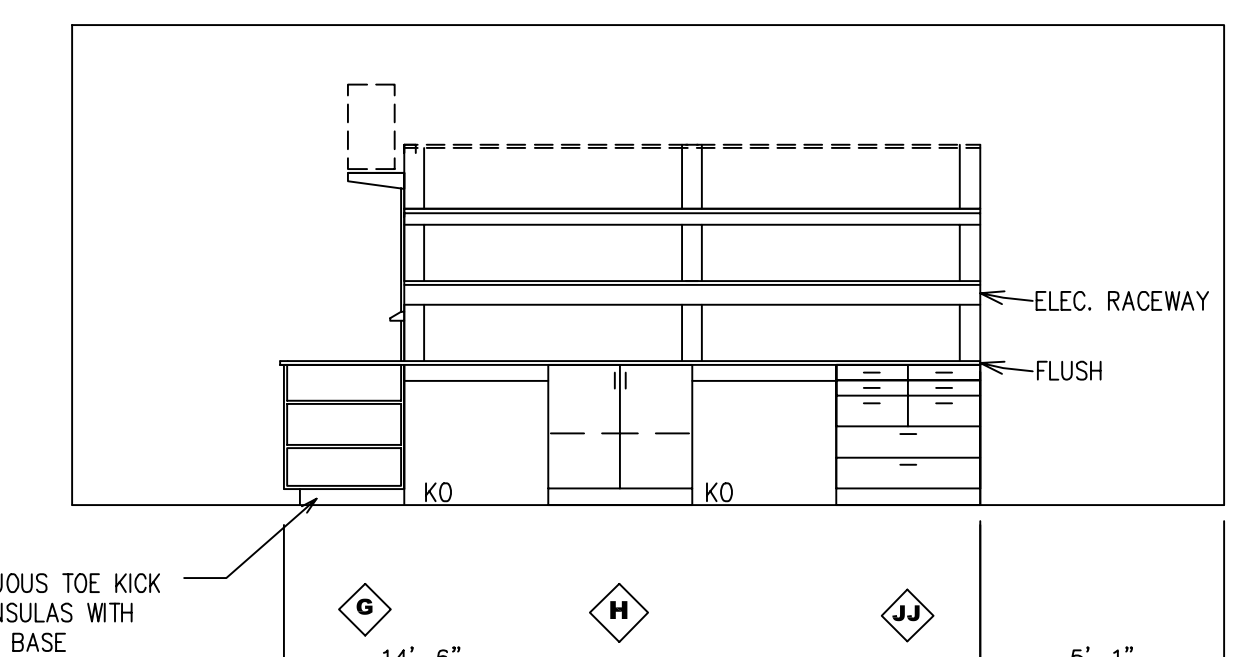
14
A10.16/ 1/4"=1'-0"



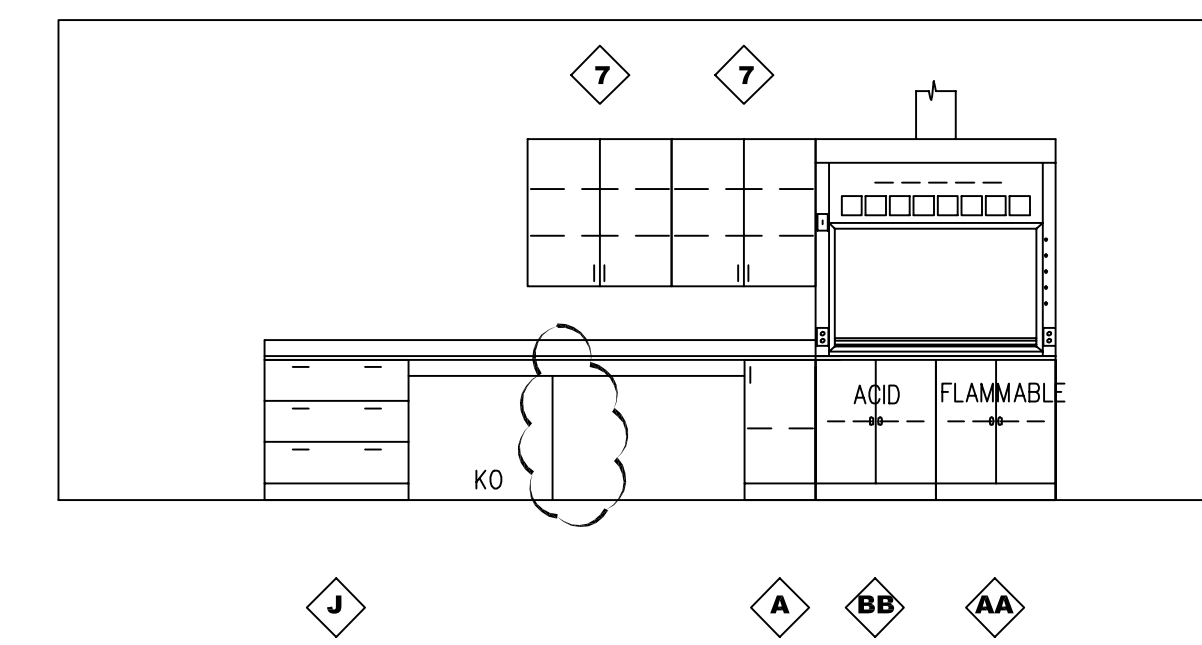
15
A10.16/ 1/4"=1'-0"



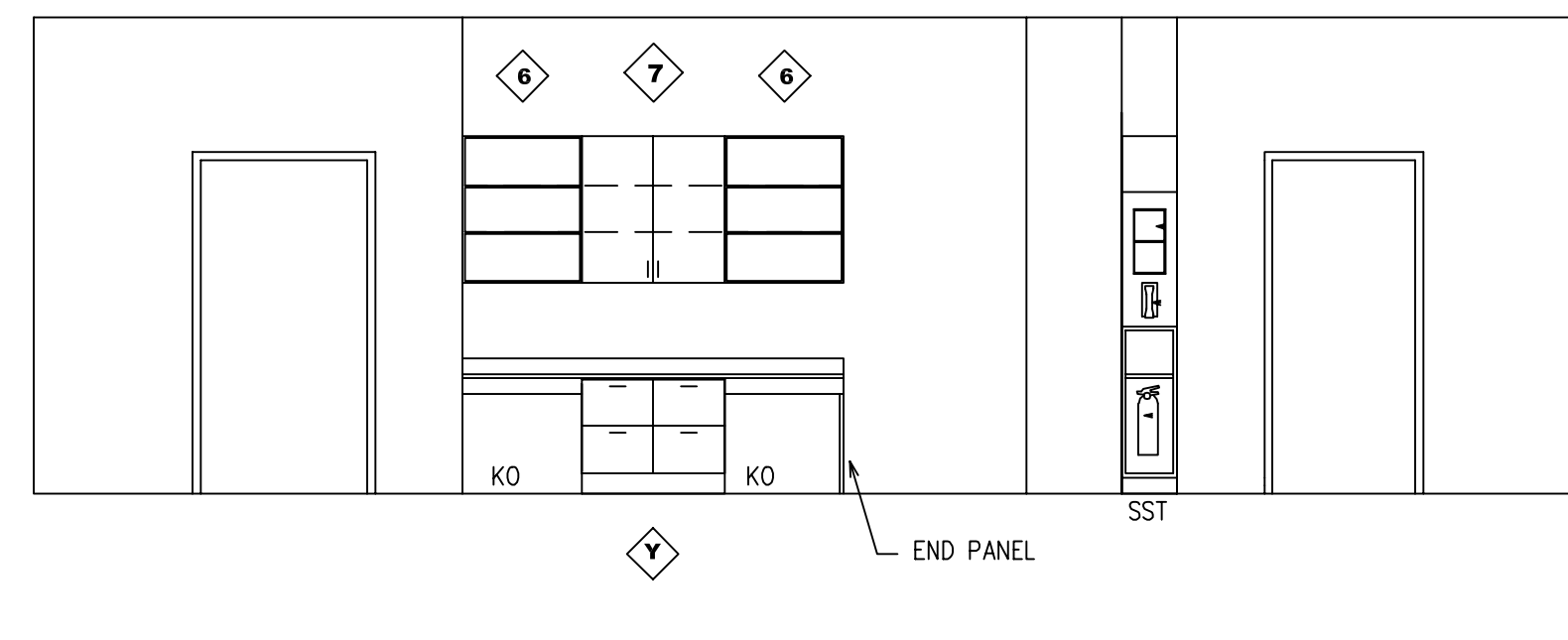
16
A10.16/ 1/4"=1'-0"



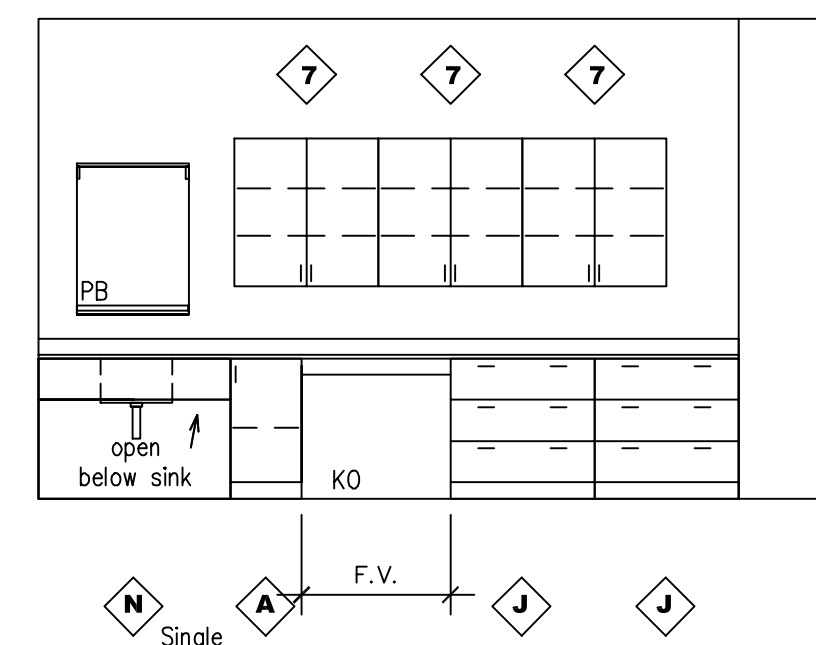
17
A10.16/ 1/4"=1'-0"



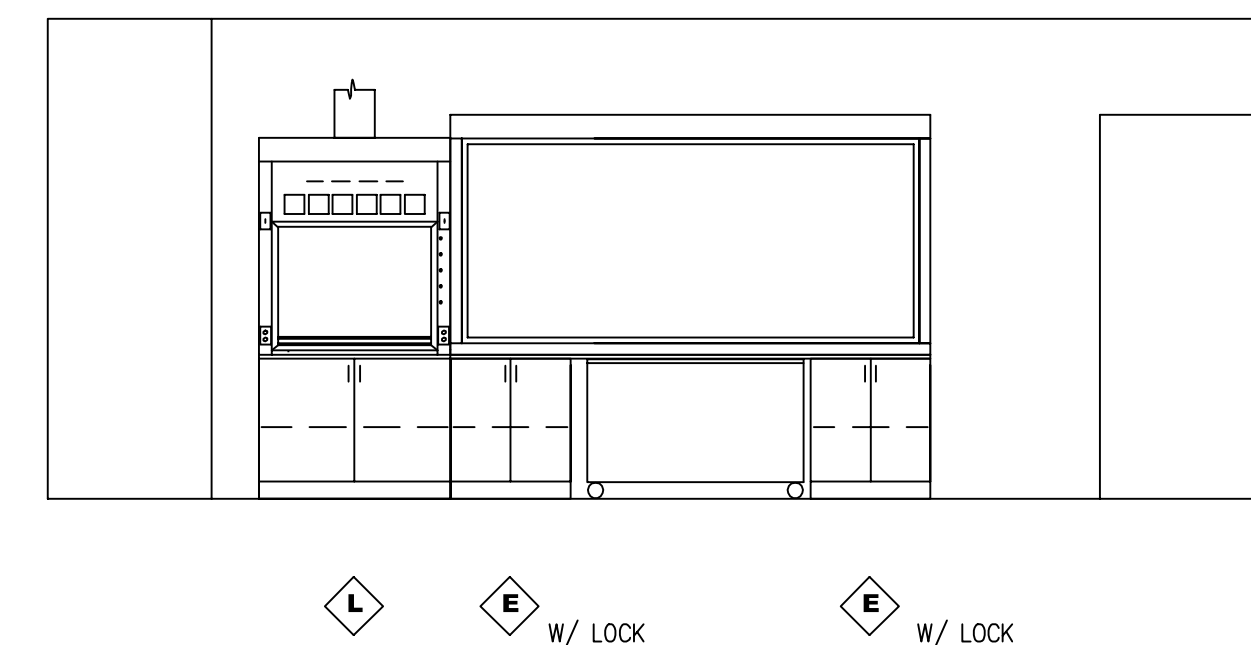
18
A10.16/ 1/4"=1'-0"



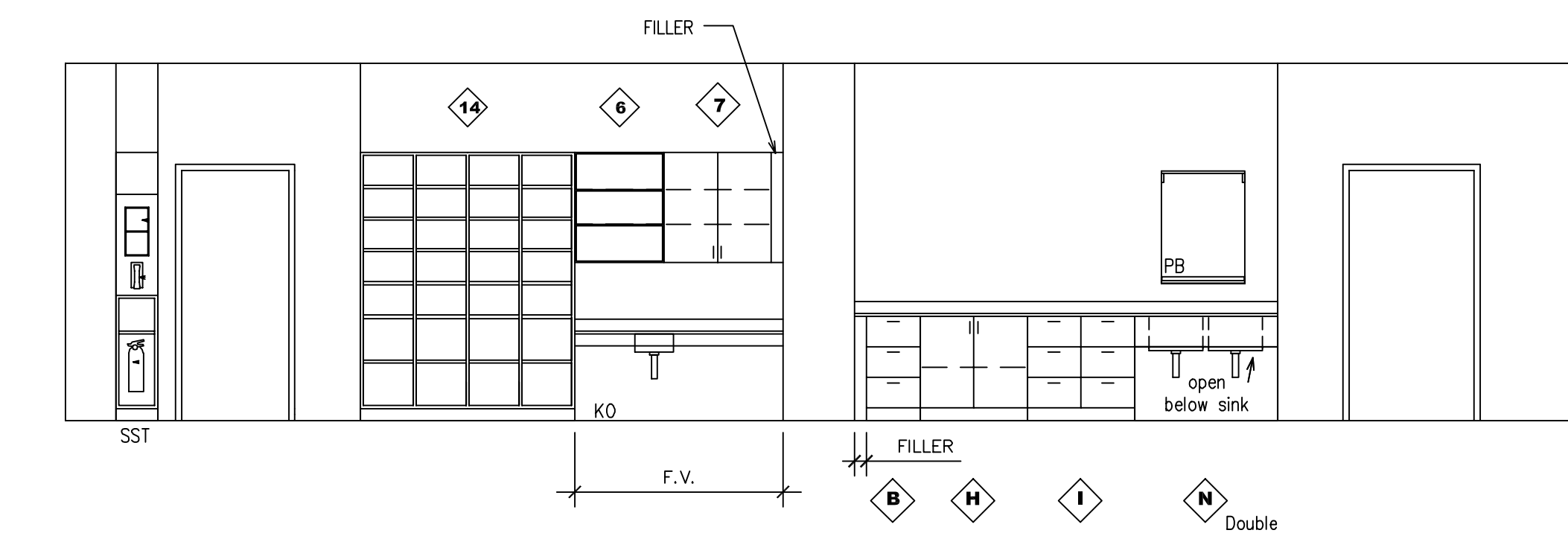
19
A10.16/ 1/4"=1'-0"



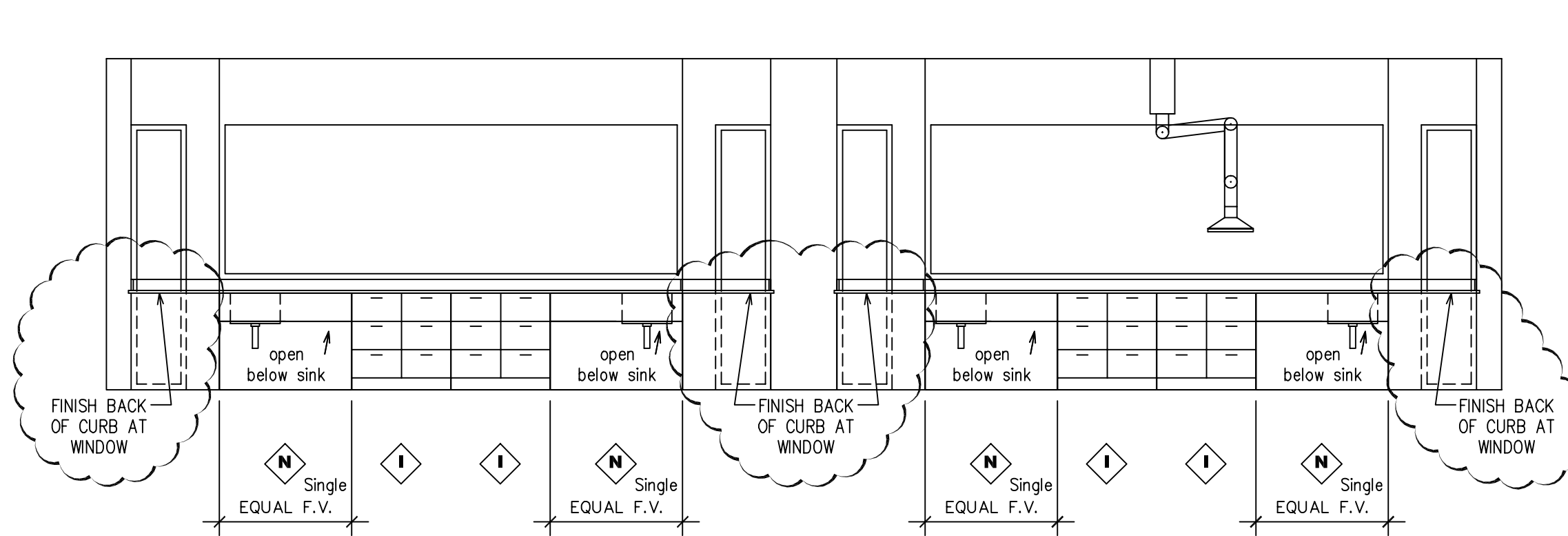
20
A10.16/ 1/4"=1'-0"



22
A10.16/ 1/4"=1'-0"



23
A10.16/ 1/4"=1'-0"



24
A10.16/ 1/4"=1'-0"

01-14-03

LABORATORY ELEVATIONS
A-10.16

REVISIONS	DATE	NORTHERN KENTUCKY UNIVERSITY NATURAL SCIENCE BUILDING		PHASE C
1				DRAWING NO.
2				A-10.16
3				REVIEWED
4				DIV. OF ENGR.
5				ENGR. FILE NO.
6				
7				
8				
9				

DRAWN BY SMH/EJM	COMMONWEALTH OF KENTUCKY FINANCE AND ADMINISTRATION CABINET DIVISION OF ENGINEERING
CHECKED BY SCH	DEPARTMENT FOR FACILITIES MANAGEMENT FRANKFORT, KENTUCKY
A & E FILE NO.	
DATE 6/99	
AGENCY AUTHORIZED AGENT	APPROVED FOR PROGRAM CONCEPT ONLY
DIVISION OF ENGINEERING	APPROVED FOR PROGRAM CONCEPT ONLY

health education	research associates	Omni Architects
------------------	---------------------	------------------------