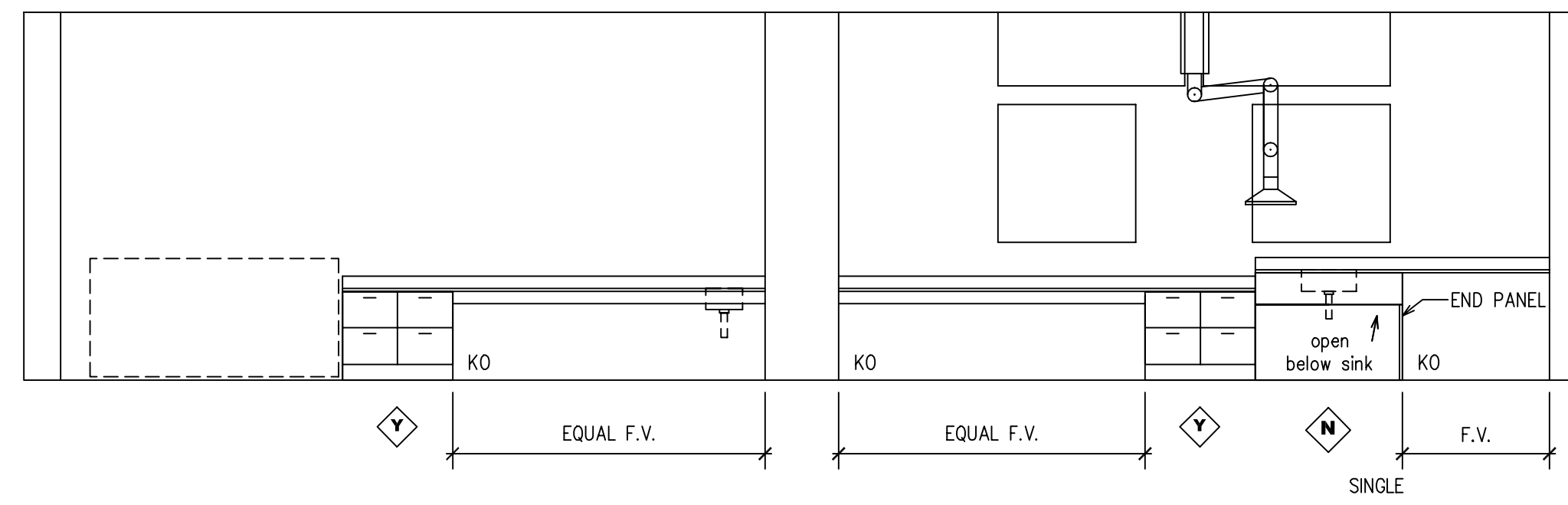
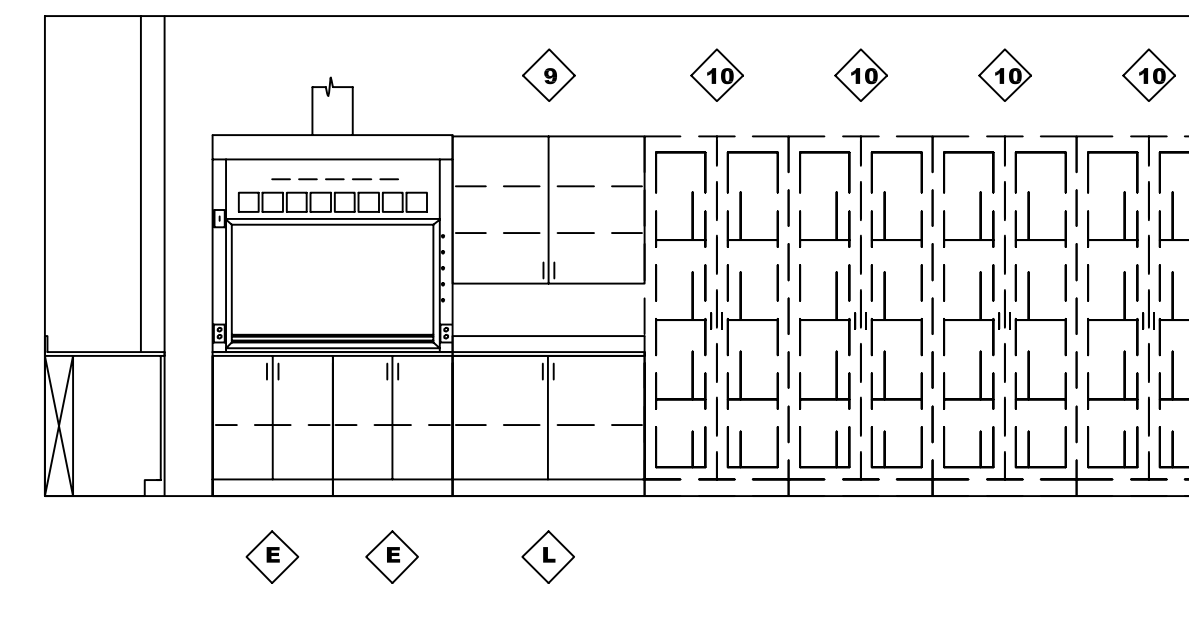


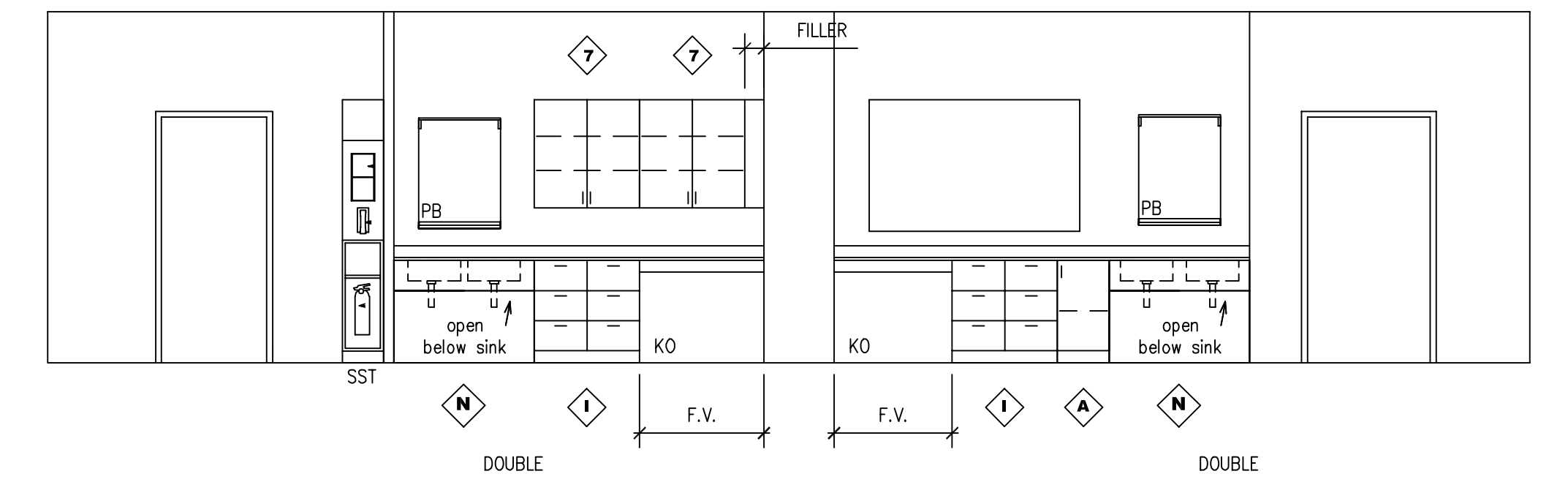
1
A10.19 1/4"=1'-0"



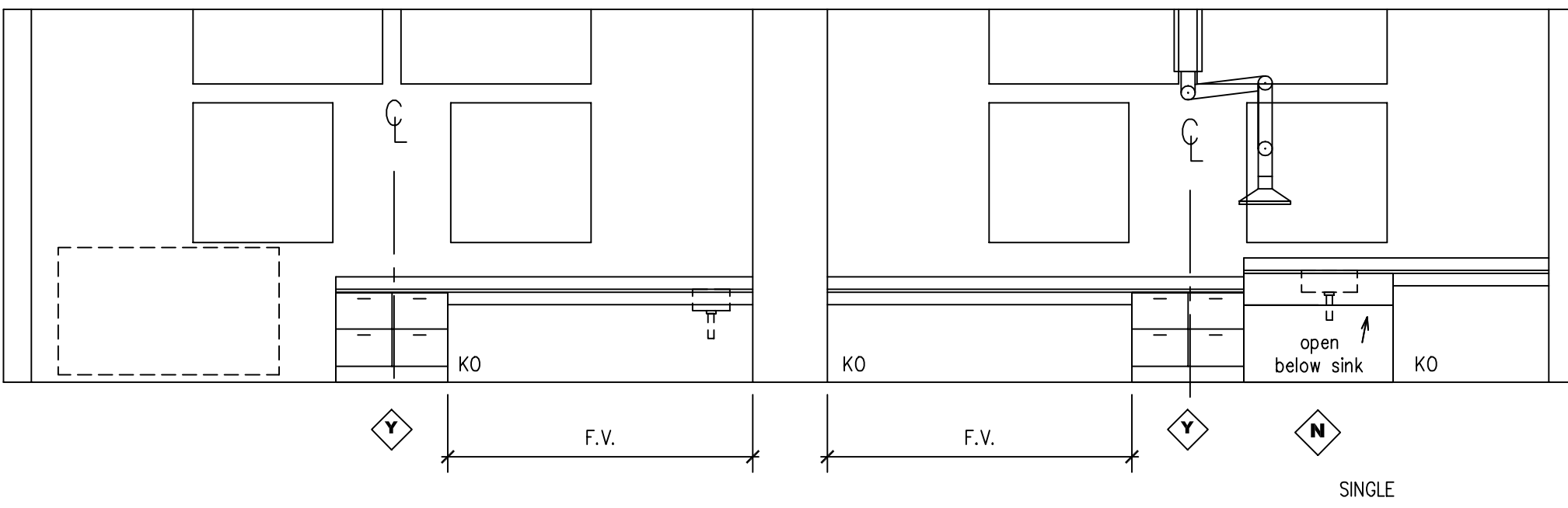
2
A10.19 1/4"=1'-0"



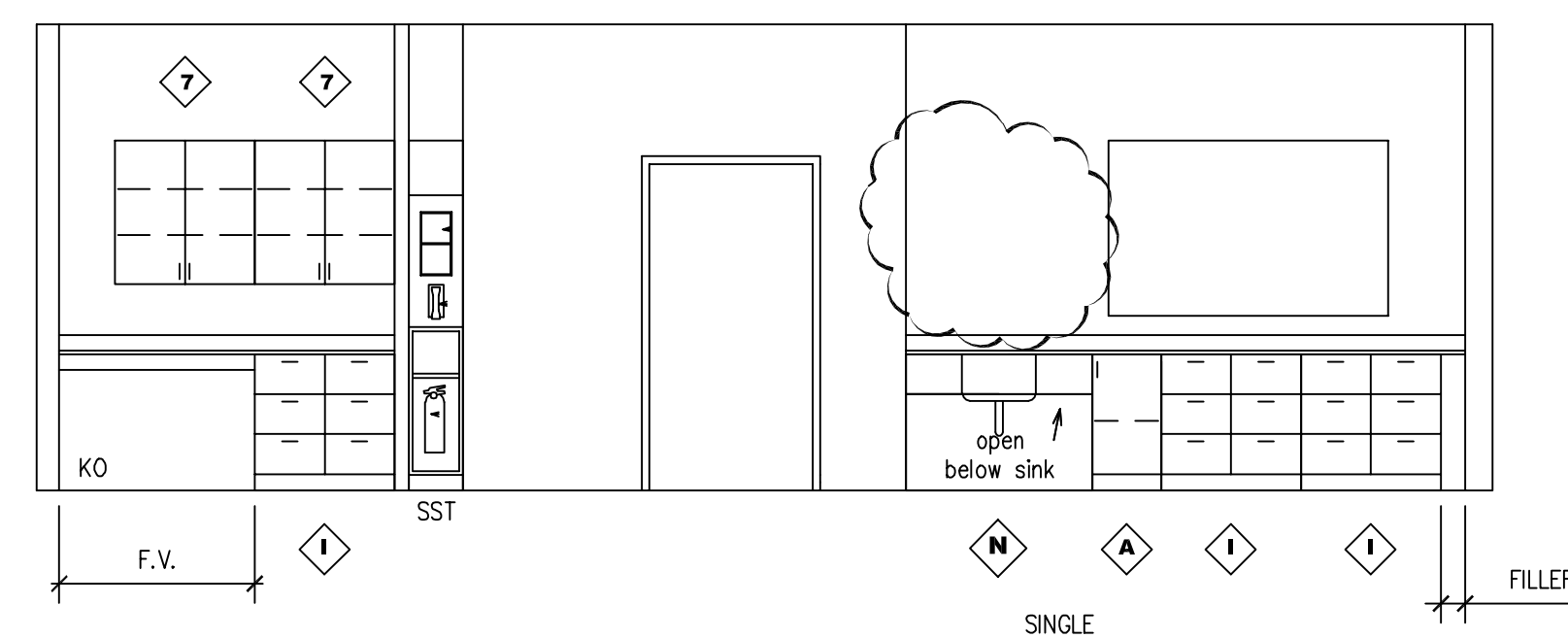
3
A10.19 1/4"=1'-0"



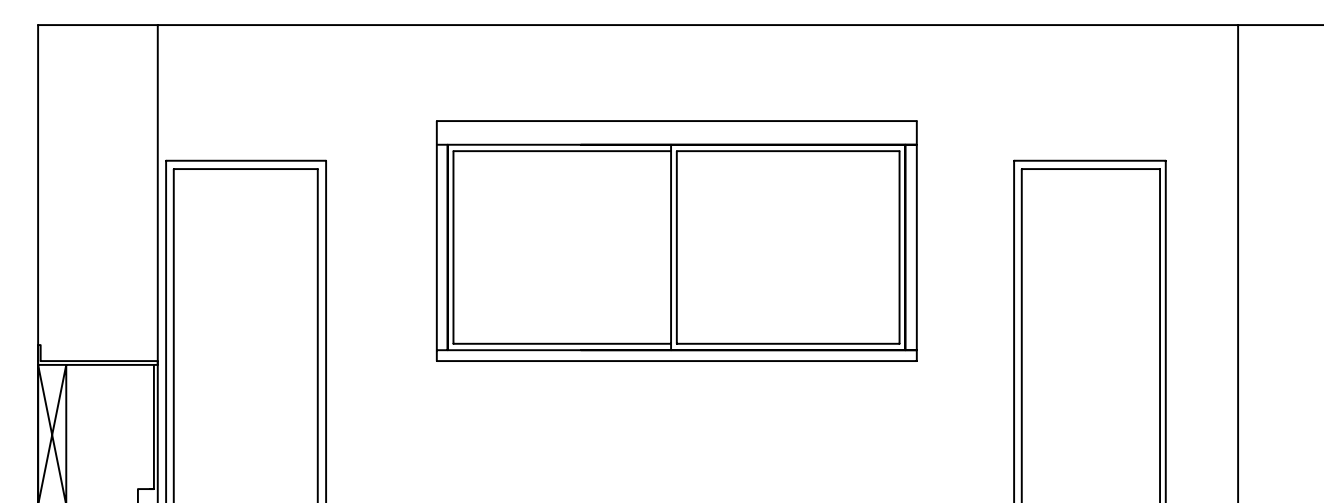
4
A10.19 1/4"=1'-0"



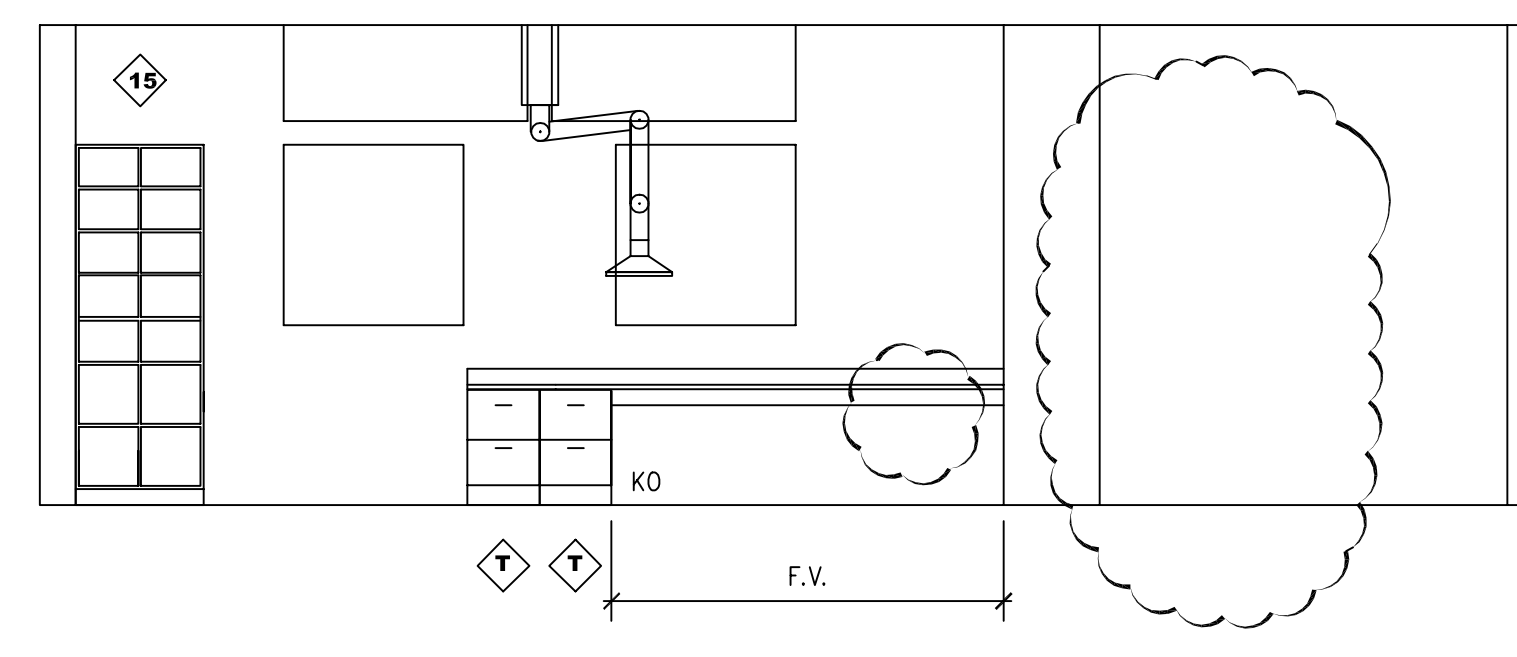
5
A10.19 1/4"=1'-0"



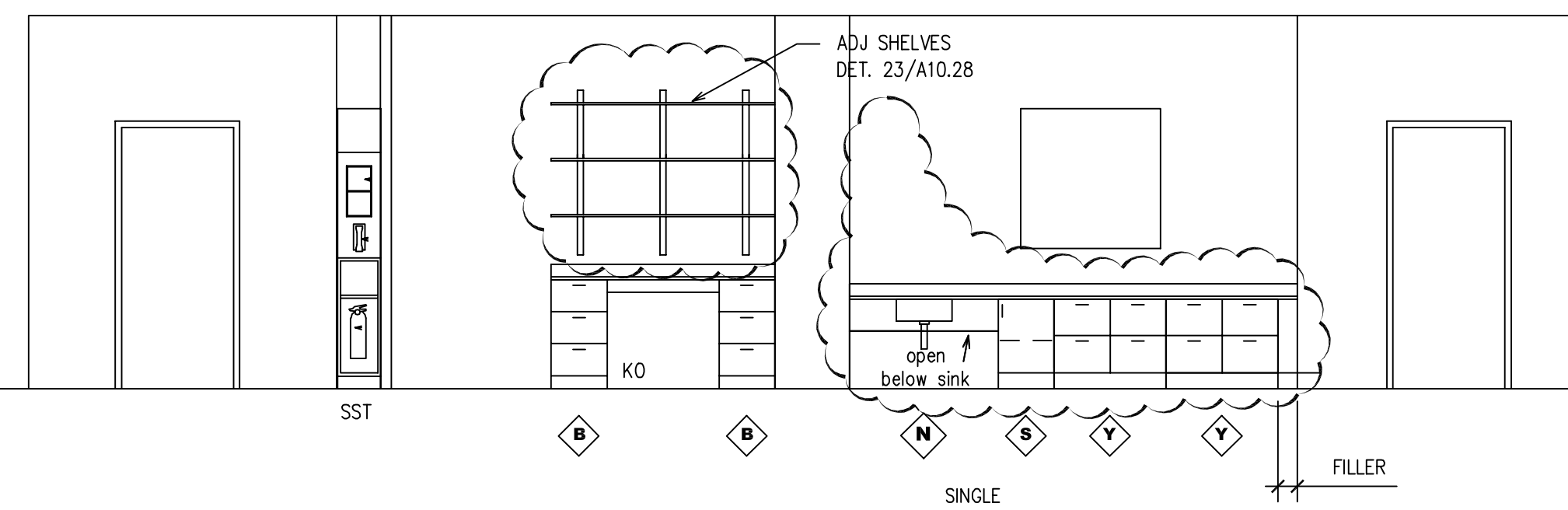
8
A10.19 1/4"=1'-0"



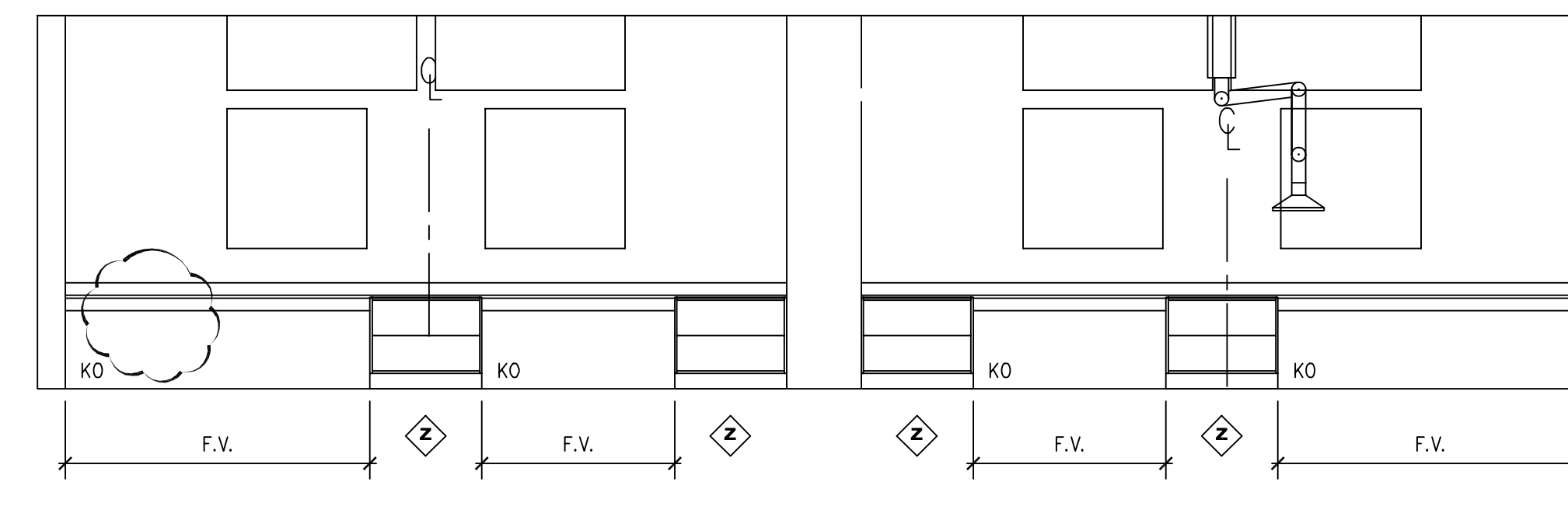
9
A10.19 1/4"=1'-0"



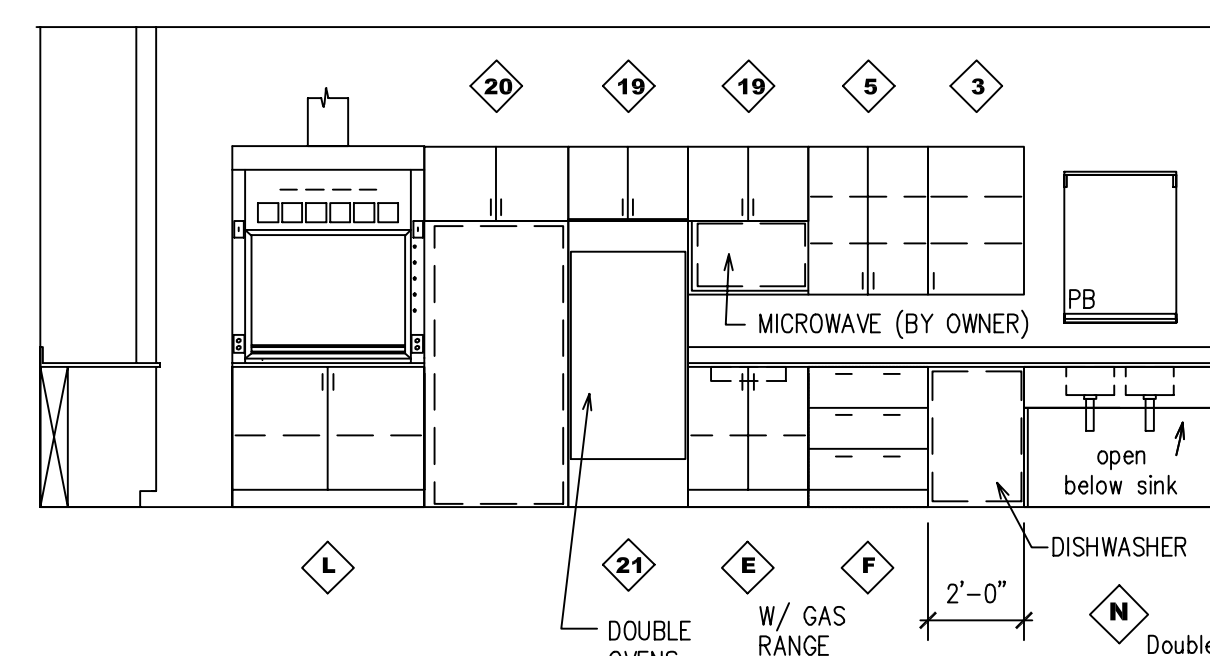
10
A10.19 1/4"=1'-0"



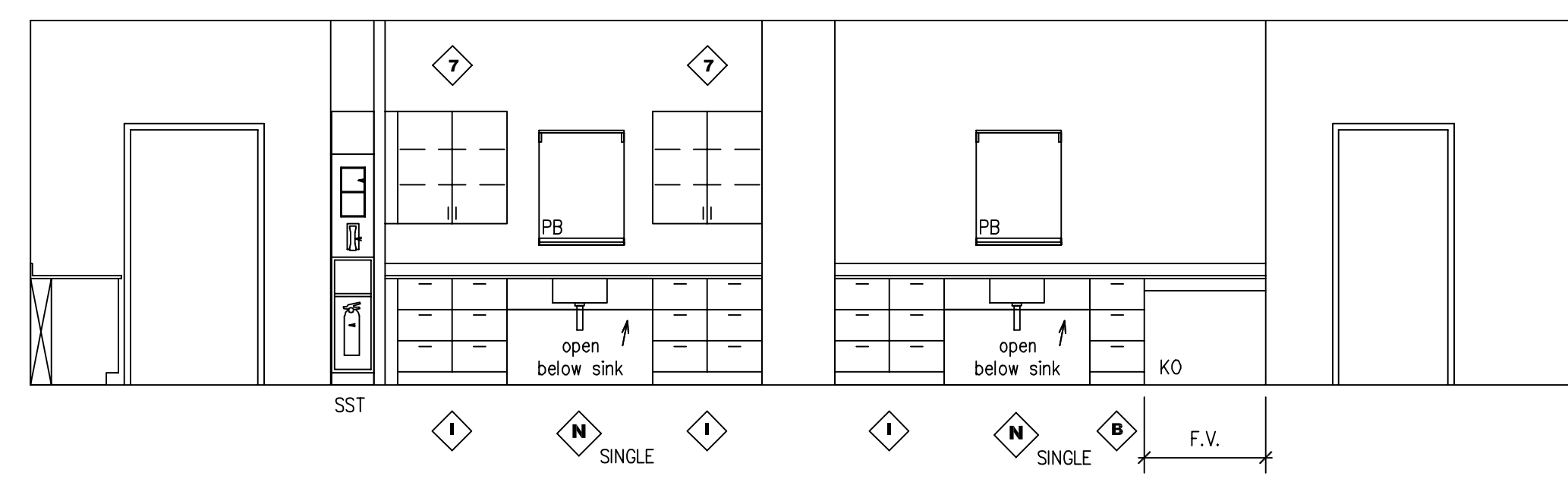
13
A10.19 1/4"=1'-0"



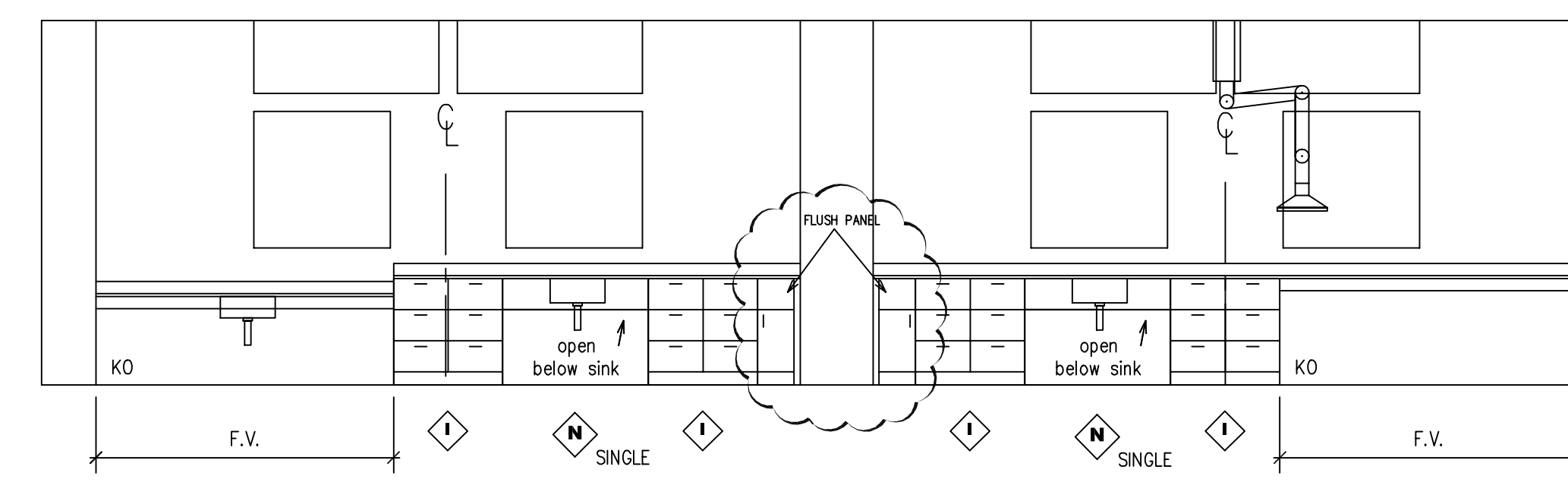
14
A10.19 1/4"=1'-0"



15
A10.19 1/4"=1'-0"

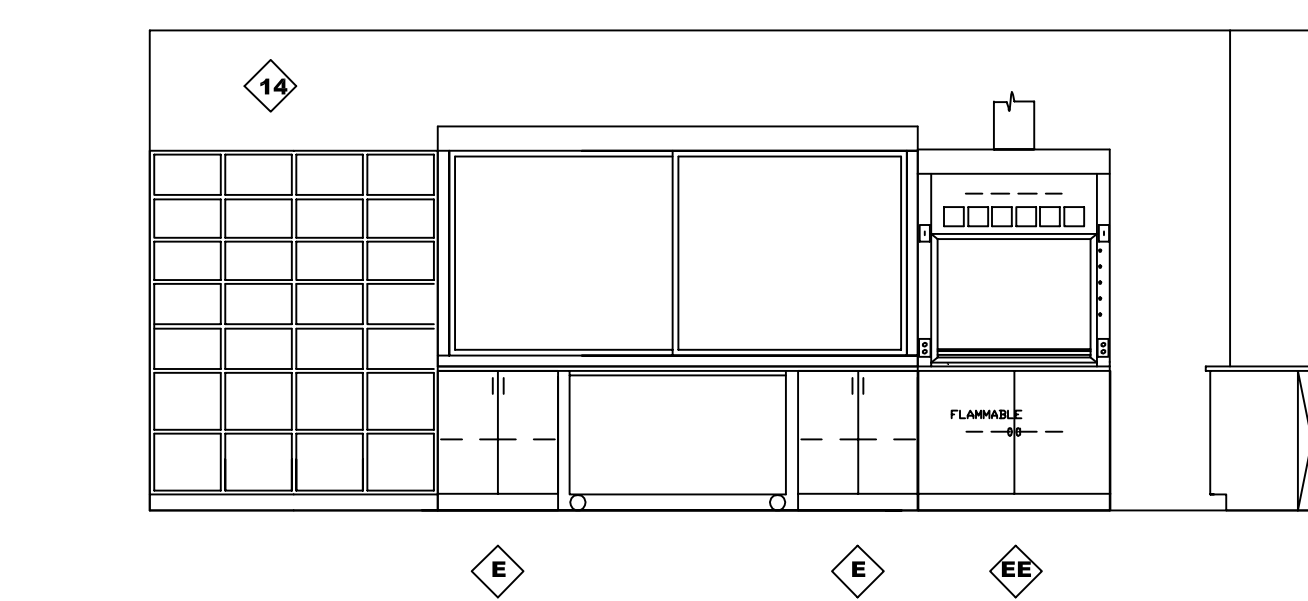


16
A10.19 1/4"=1'-0"

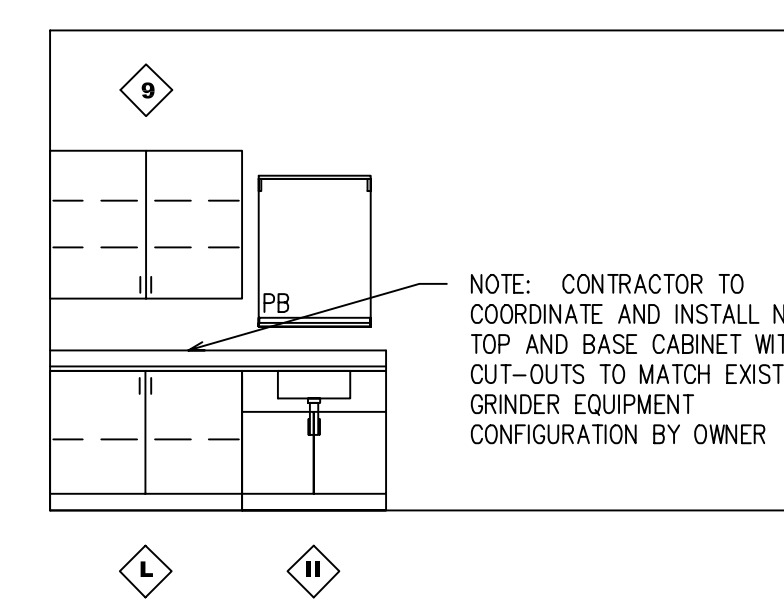


17
A10.19 1/4"=1'-0"

01-14-03



18
A10.19 1/4"=1'-0"



20
A10.19 1/4"=1'-0"

LABORATORY ELEVATIONS A-10.19

REVISIONS	DATE	NORTHERN KENTUCKY UNIVERSITY NATURAL SCIENCE BUILDING		PHASE C
1				DRAWING NO. _____
2				COMMONWEALTH OF KENTUCKY FINANCE AND ADMINISTRATION CABINET DIVISION OF ENGINEERING DEPARTMENT FOR FACILITIES MANAGEMENT FRANKFORT, KENTUCKY
3				
4				
5				
6				
7				
8				
9				
DRAWN BY SHWESJM		DATE 6/99		
CHECKED BY SCH		DATE 6/99		ENGR. FILE NO. _____
A & E FILE NO. _____		DATE 6/99		APPROVED FOR PROGRAM CONCEPT ONLY _____ DATE _____
AGENCY AUTHORIZED AGENT DIVISION OF ENGINEERING		DATE 6/99		APPROVED FOR PROGRAM CONCEPT ONLY _____ DATE _____

