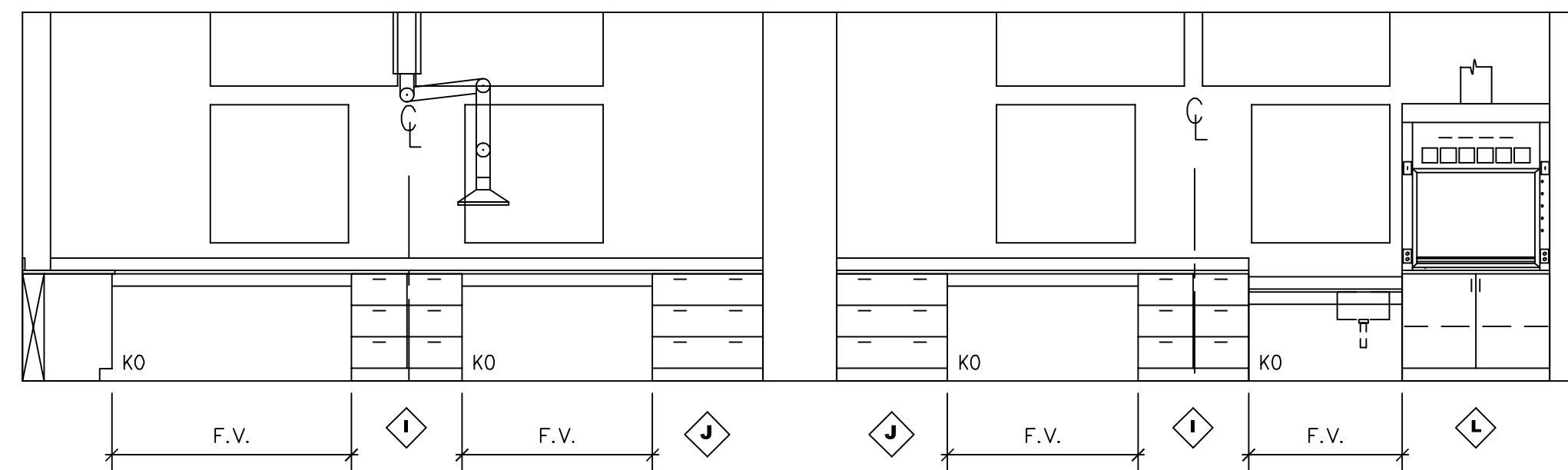
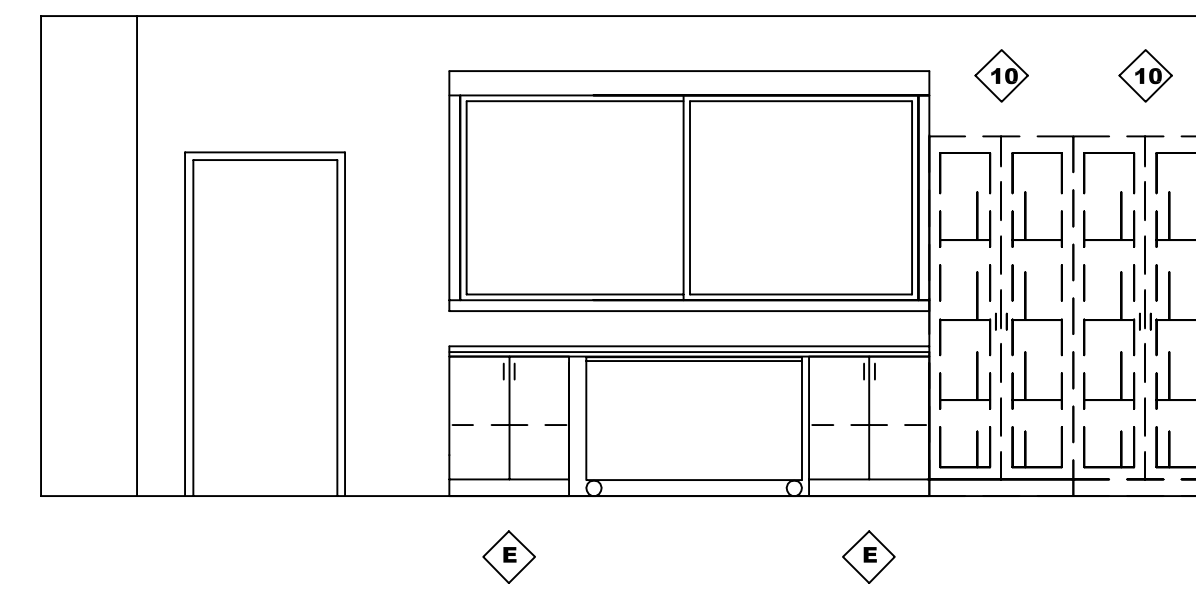


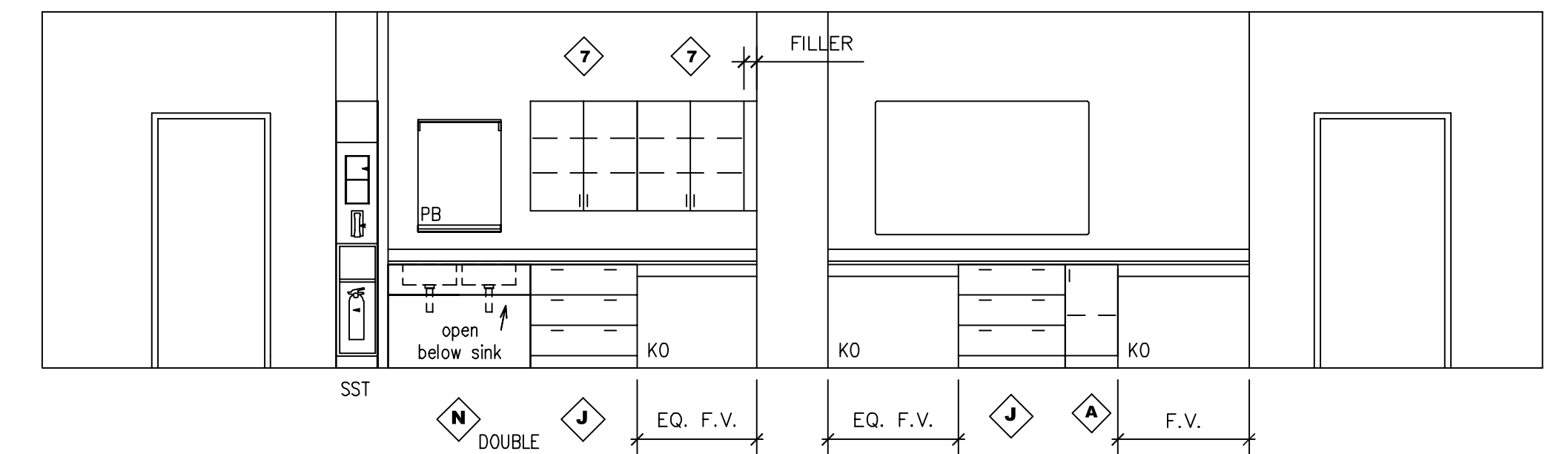
1
A10.20 1/4"=1'-0"



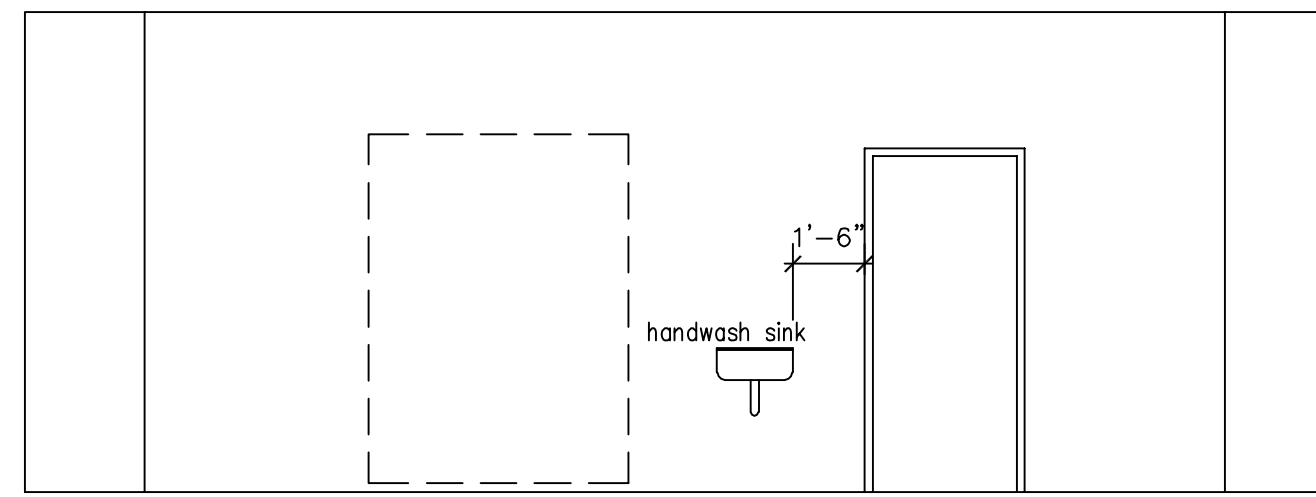
2
A10.20 1/4"=1'-0"



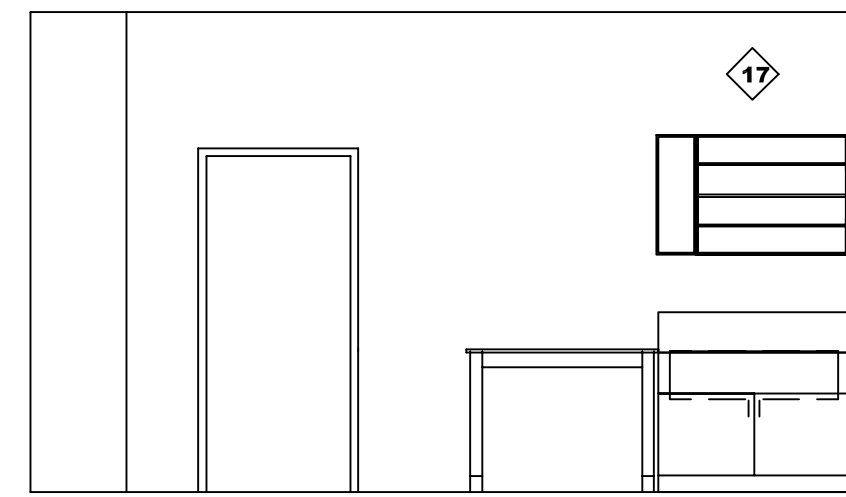
3
A10.20 1/4"=1'-0"



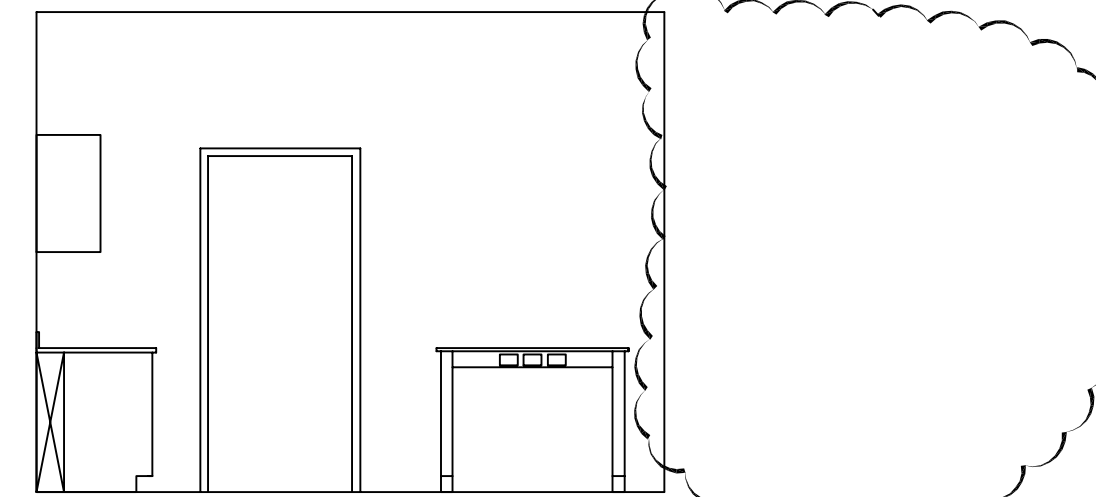
4
A10.20 1/4"=1'-0"



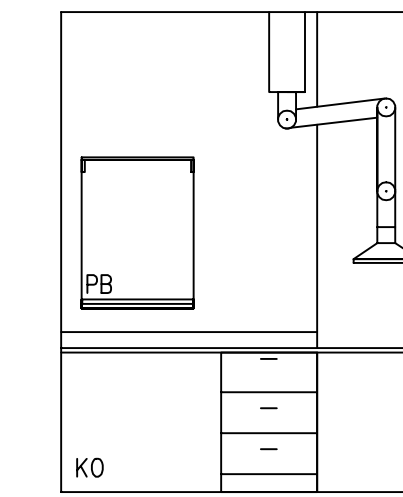
5
A10.20 1/4"=1'-0"



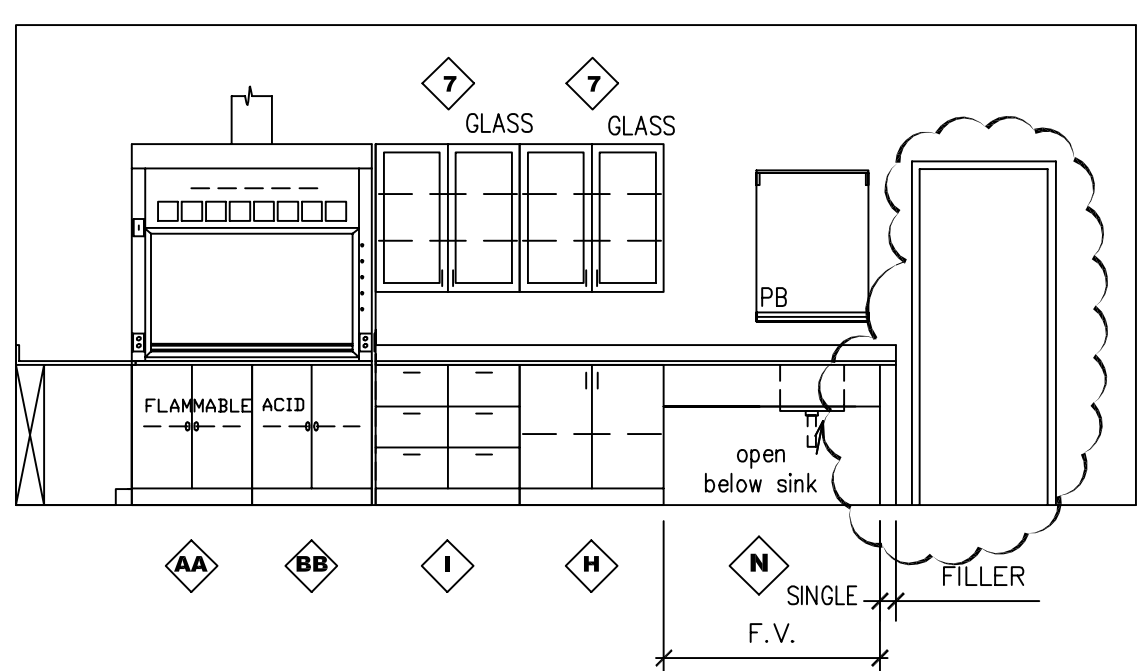
6
A10.20 1/4"=1'-0"



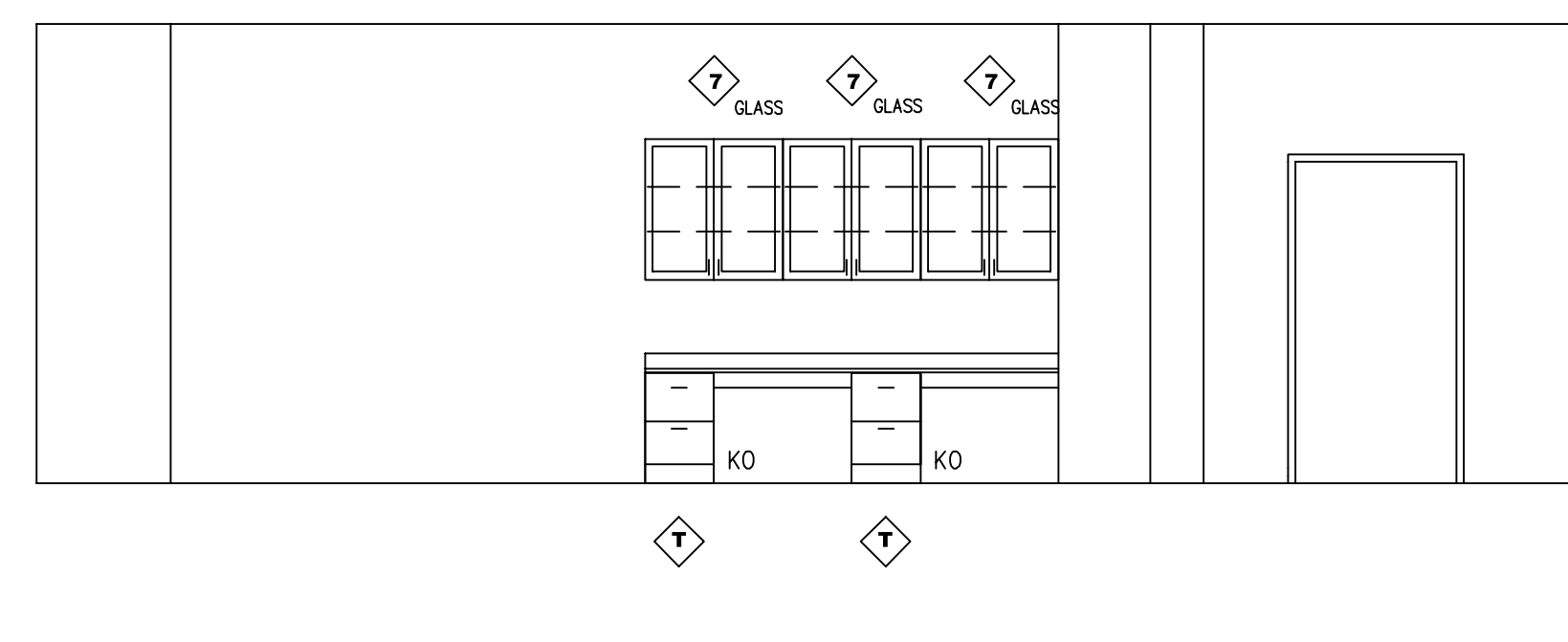
7
A10.20 1/4"=1'-0"



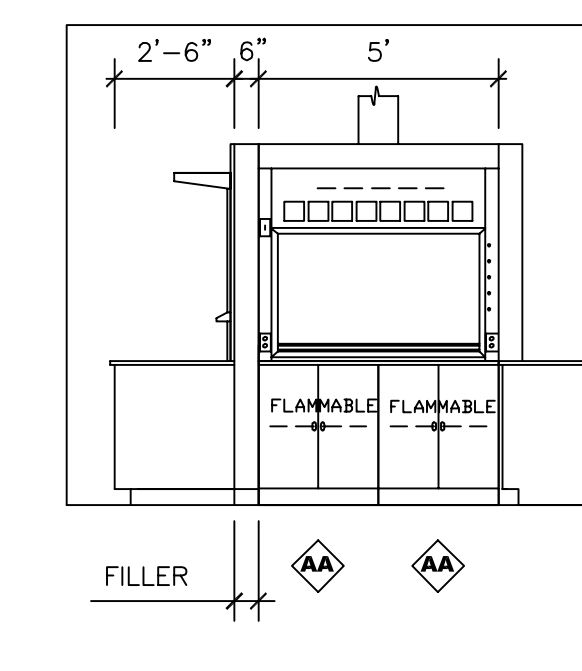
9
A10.20 1/4"=1'-0"



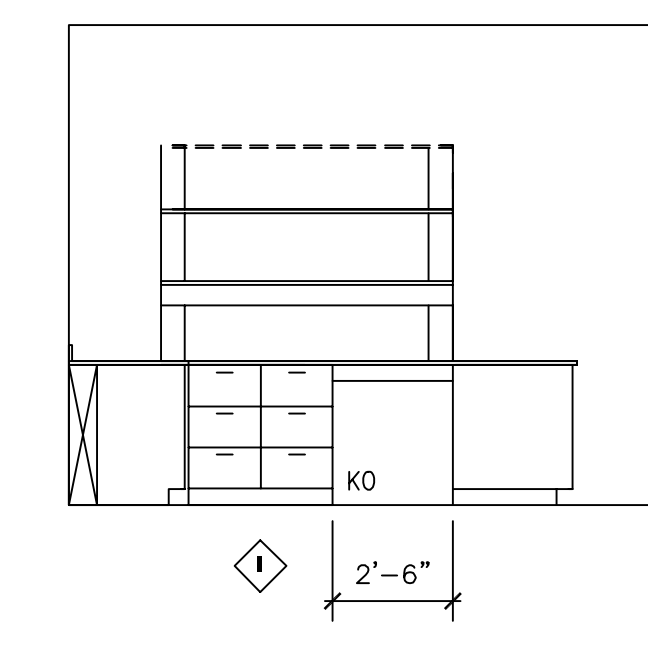
10
A10.20 1/4"=1'-0"



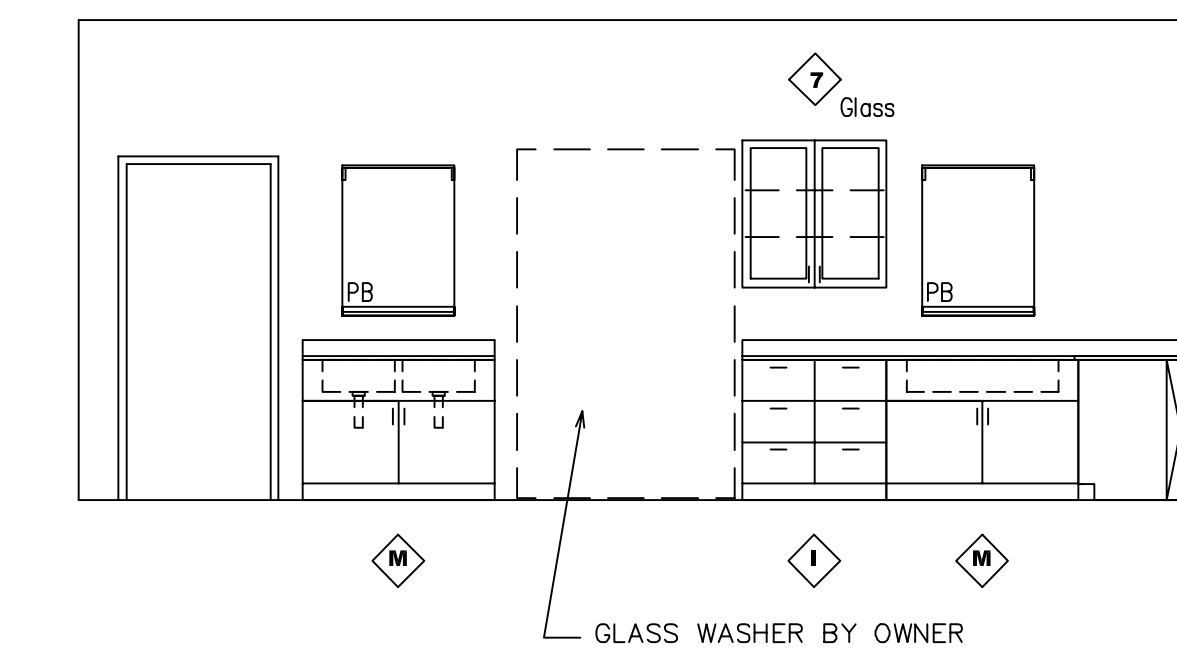
11
A10.20 1/4"=1'-0"



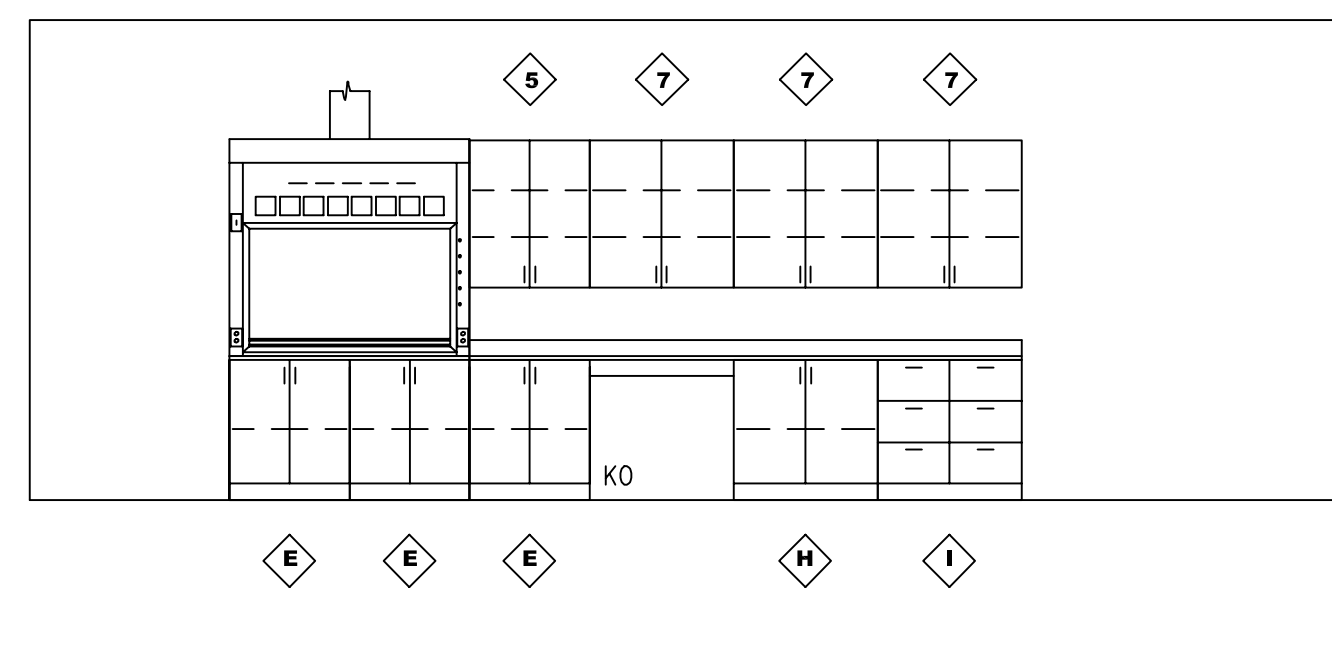
13
A10.20 1/4"=1'-0"



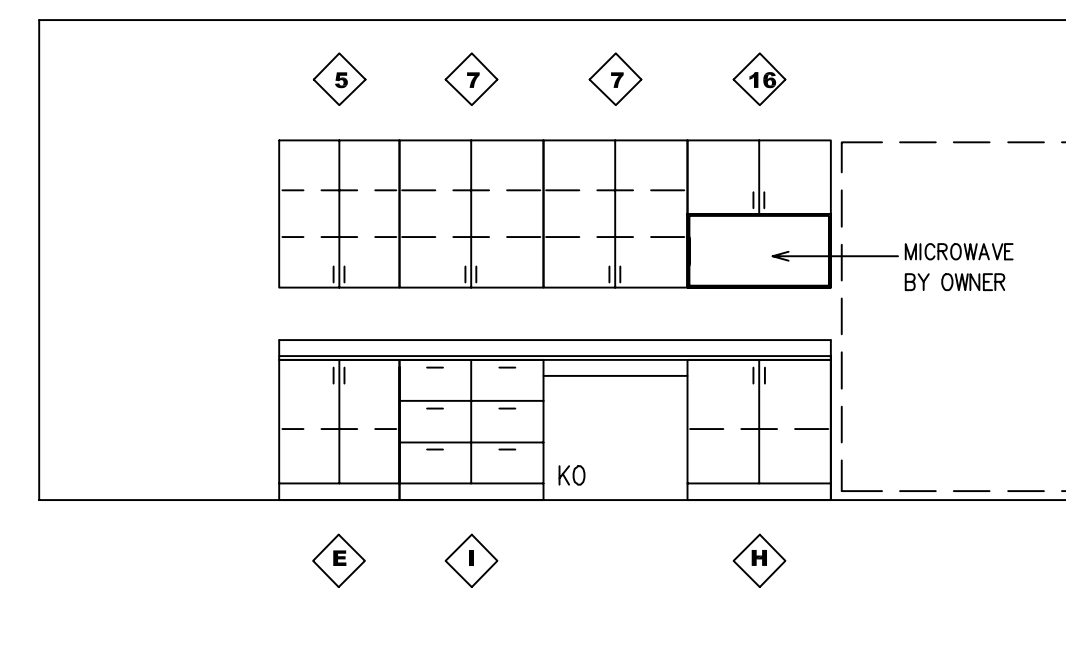
14
A10.20 1/4"=1'-0"



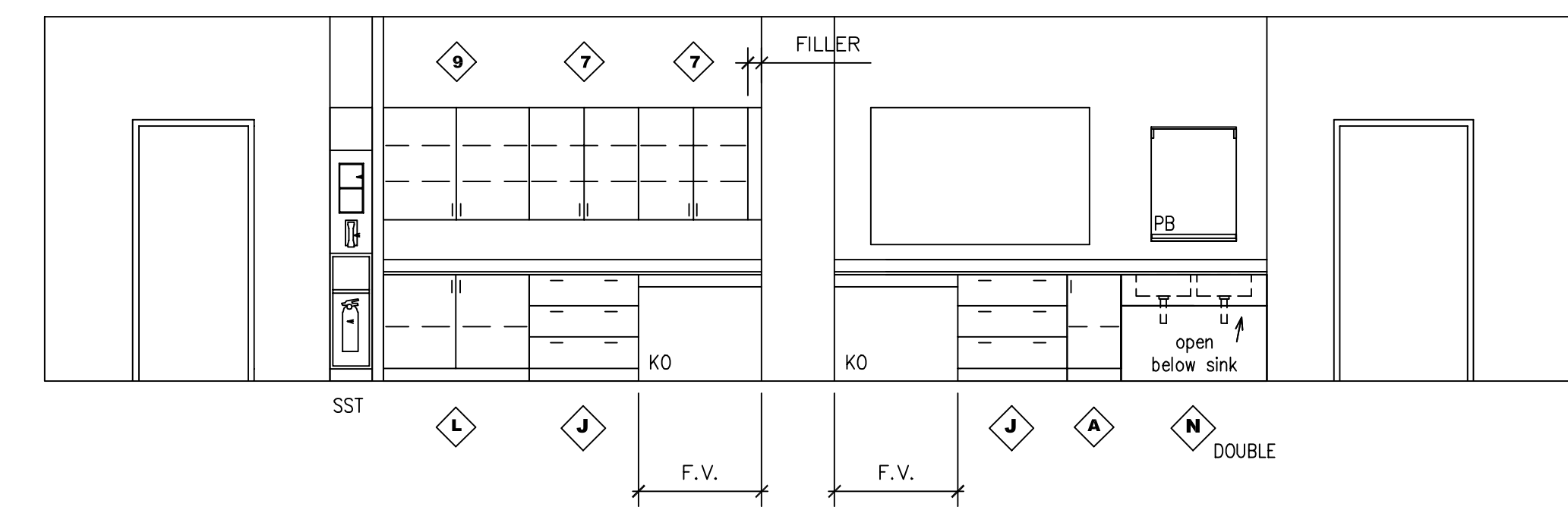
15
A10.20 1/4"=1'-0"



16
A10.20 1/4"=1'-0"



17
A10.20 1/4"=1'-0"



19
A10.20 1/4"=1'-0"

01-14-03

LABORATORY ELEVATIONS
A-10.20

REVISIONS	DATE	NORTHERN KENTUCKY UNIVERSITY NATURAL SCIENCE BUILDING		PHASE C
1				
2				
3				
4				
5				
6				
7				
8				
9				

DRAWN BY SHHEJIM	COMMONWEALTH OF KENTUCKY FINANCE AND ADMINISTRATION CABINET	DRAWING NO. A-10.20
CHECKED BY SCH	DIVISION OF ENGINEERING DEPARTMENT FOR FACILITIES MANAGEMENT FRANKFORT, KENTUCKY	REVIEWED DIV. OF ENGR.
A & E FILE NO.	Omni Architects	ENGR. FILE NO.
DATE 6/99	AGENCY AUTHORIZED AGENT	DATE
	DIVISION OF ENGINEERING	DATE
	APPROVED FOR PROGRAM CONCEPT ONLY	
	APPROVED FOR PROGRAM CONCEPT ONLY	

health education + research associates
hera