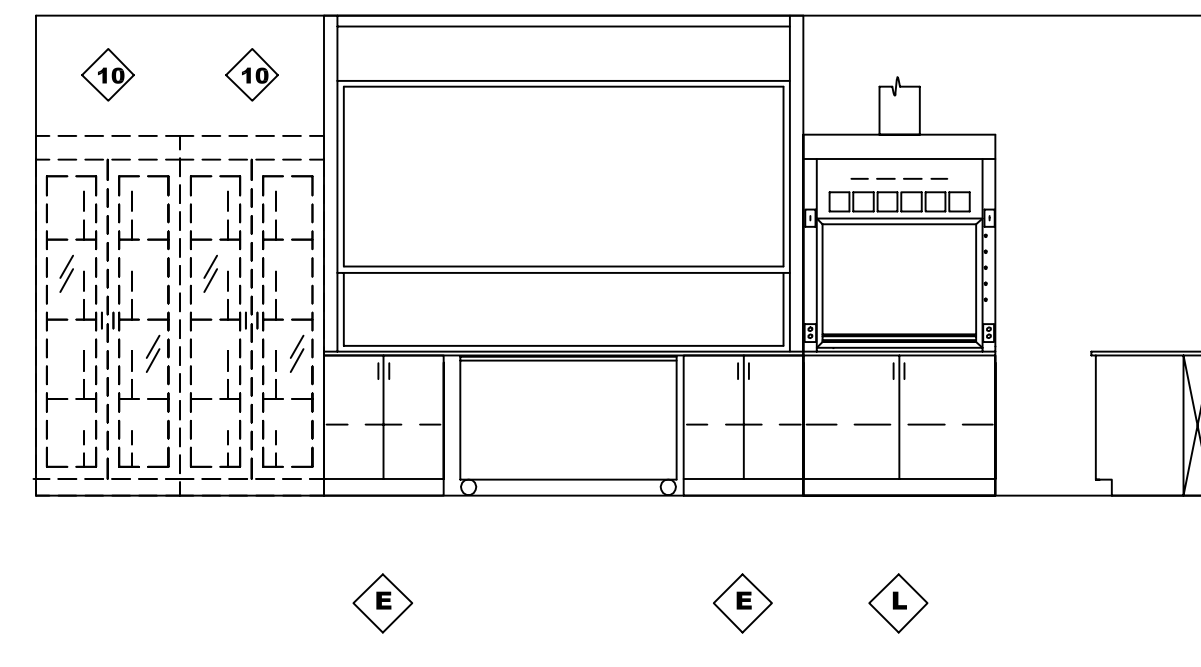
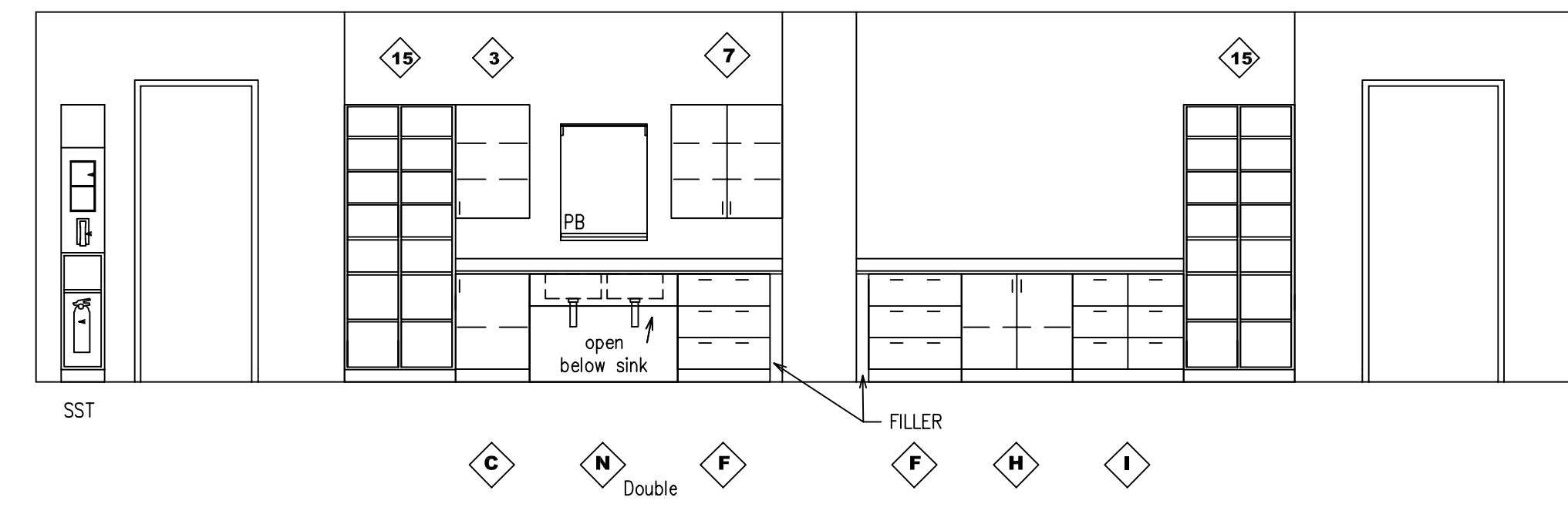


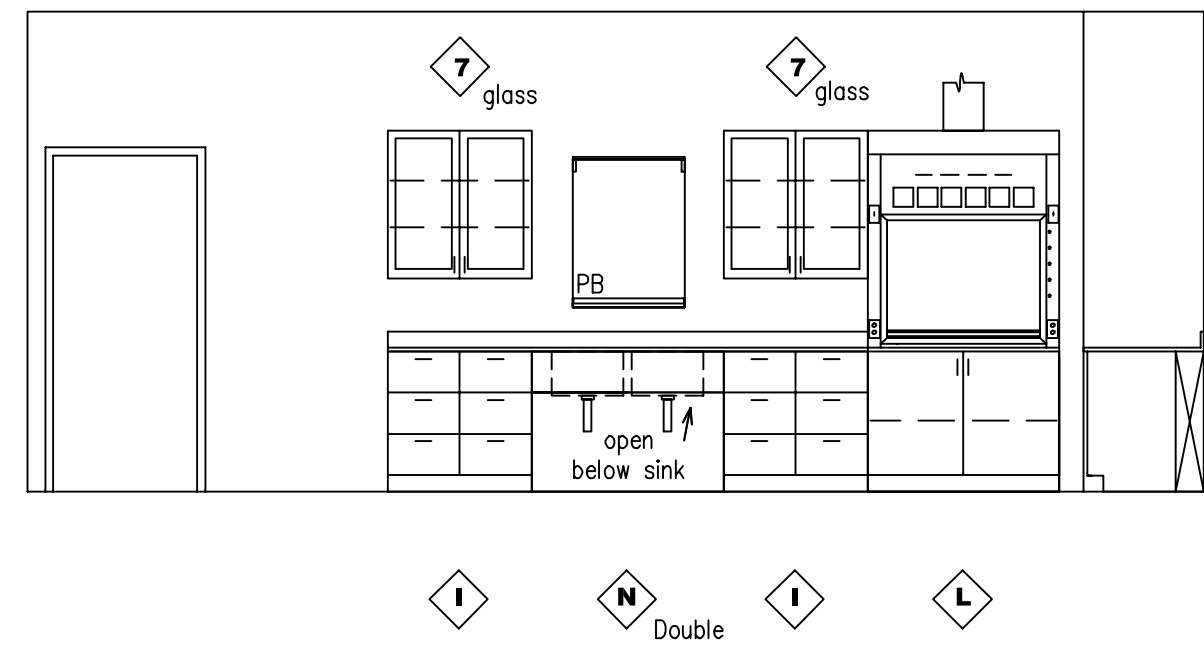
1  
A10.22 1/4"=1'-0"  
**321 (BY360) - N**



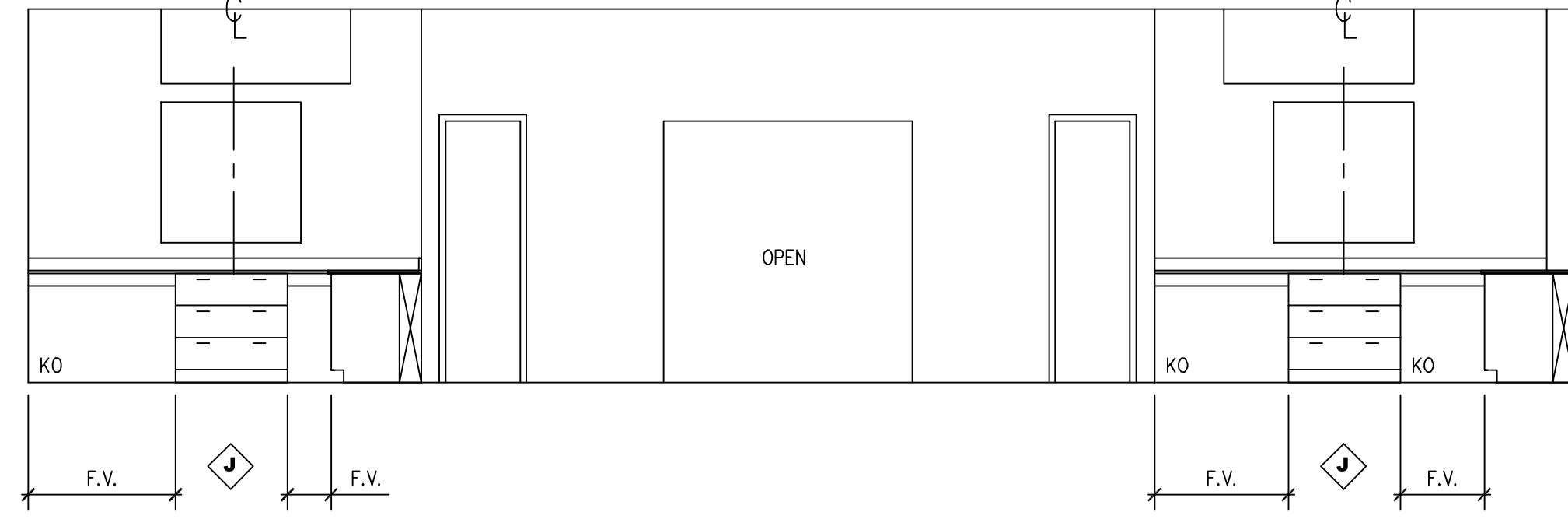
2  
A10.22 1/4"=1'-0"  
**321 (BY360) - E**



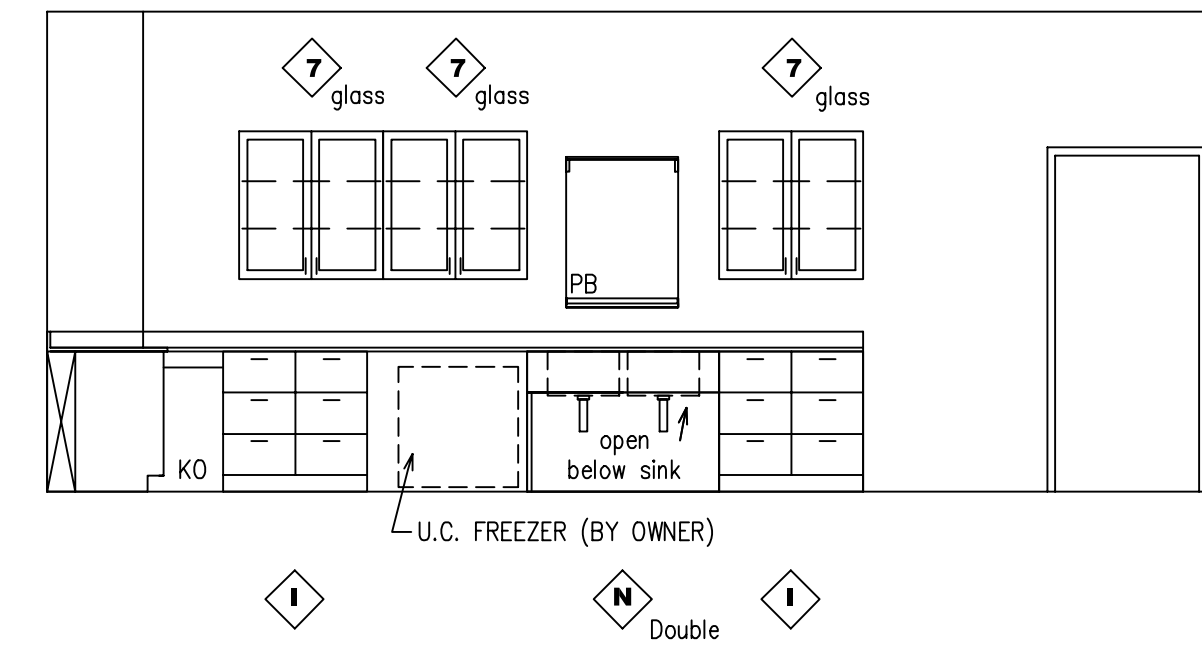
3  
A10.22 1/4"=1'-0"  
**321 (BY360) - S**



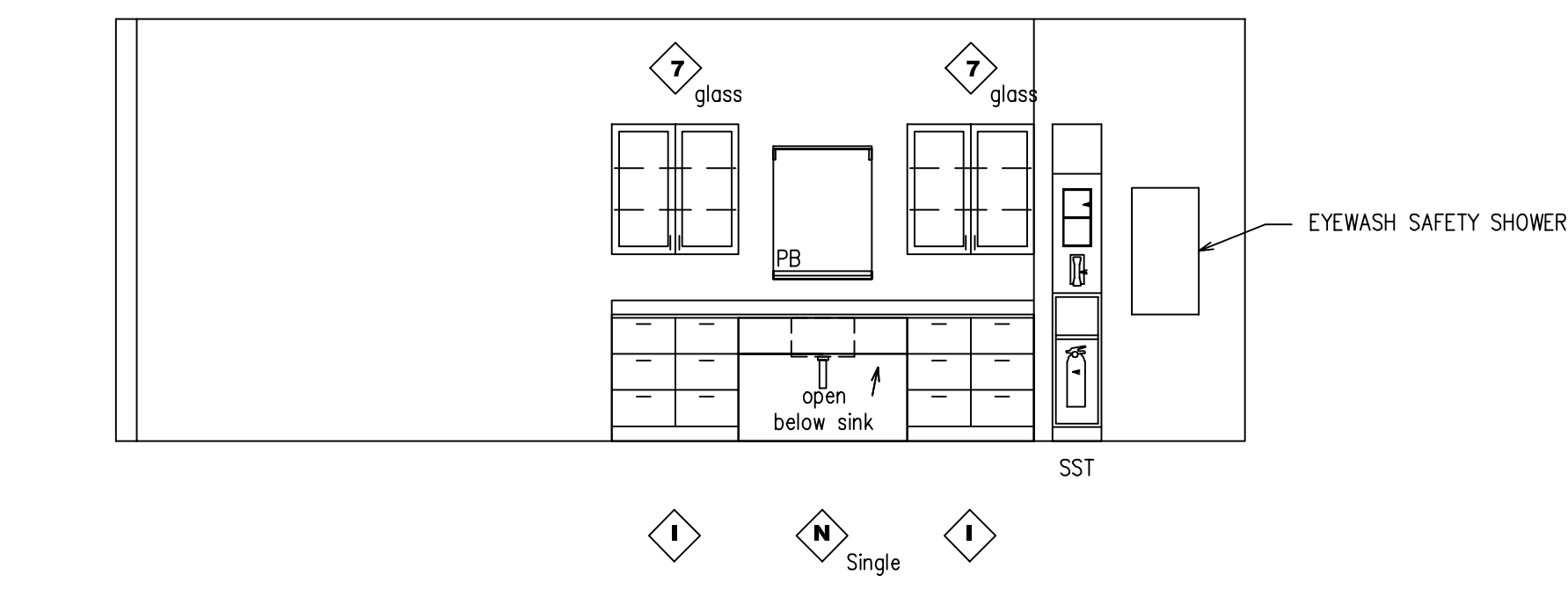
4  
A10.22 1/4"=1'-0"  
**327 (BY390) - W**



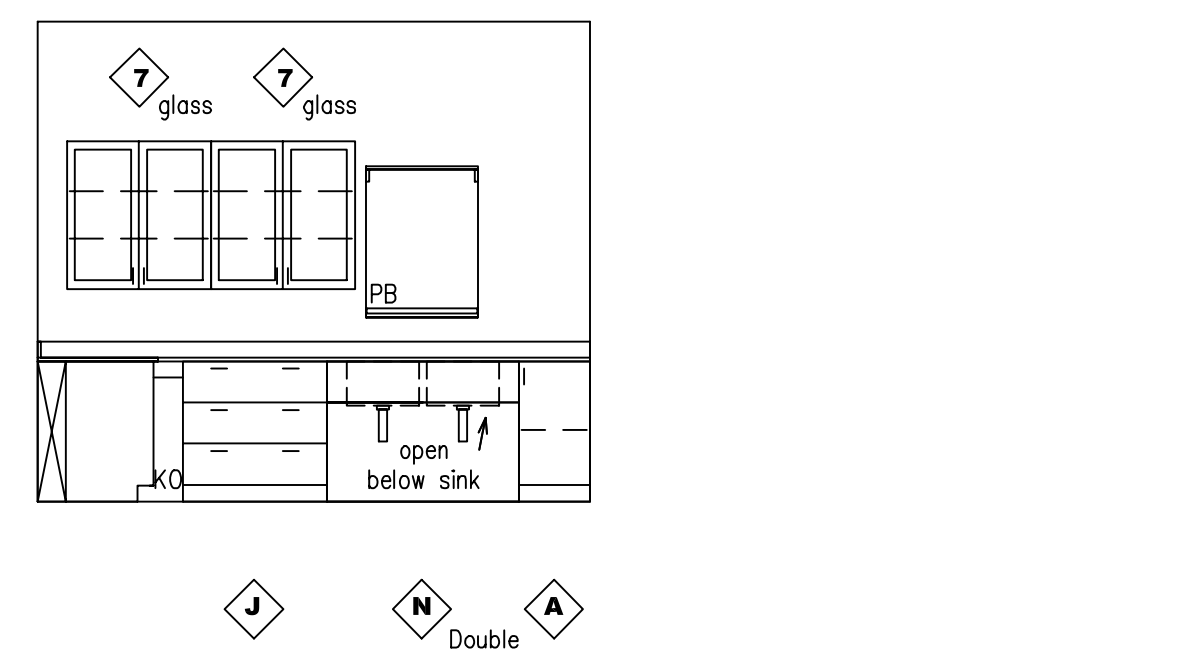
5  
A10.22 1/4"=1'-0"  
**327 (BY390) - N**



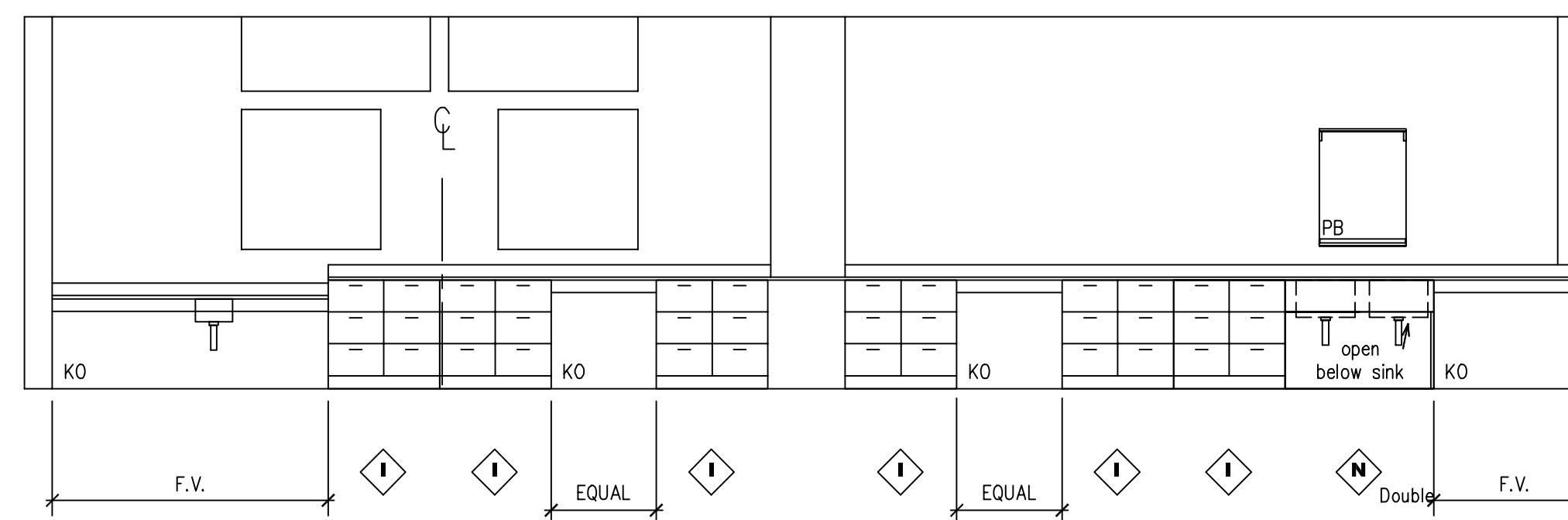
6  
A10.22 1/4"=1'-0"  
**327 (BY390) - E**



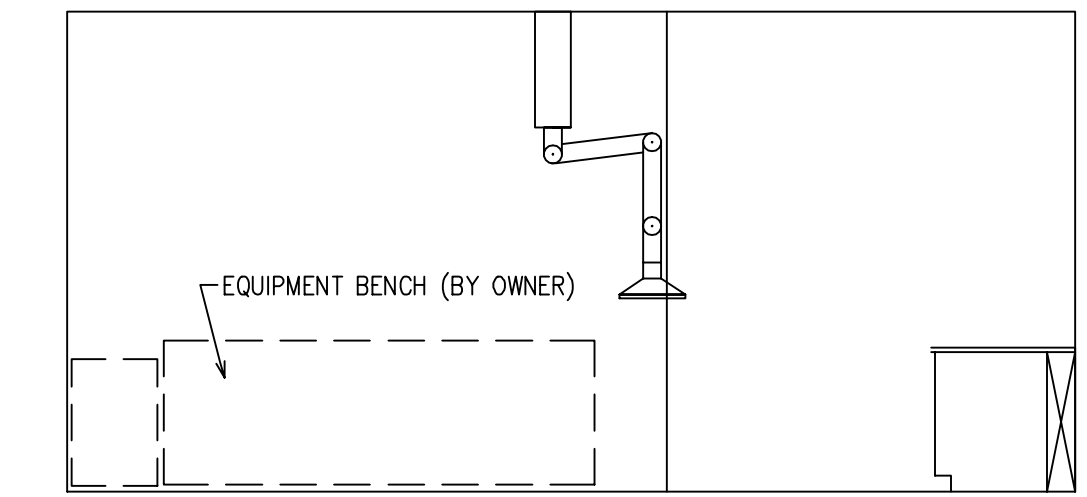
8  
A10.22 1/4"=1'-0"  
**327 (BY390) - INTERIOR WALL - N**



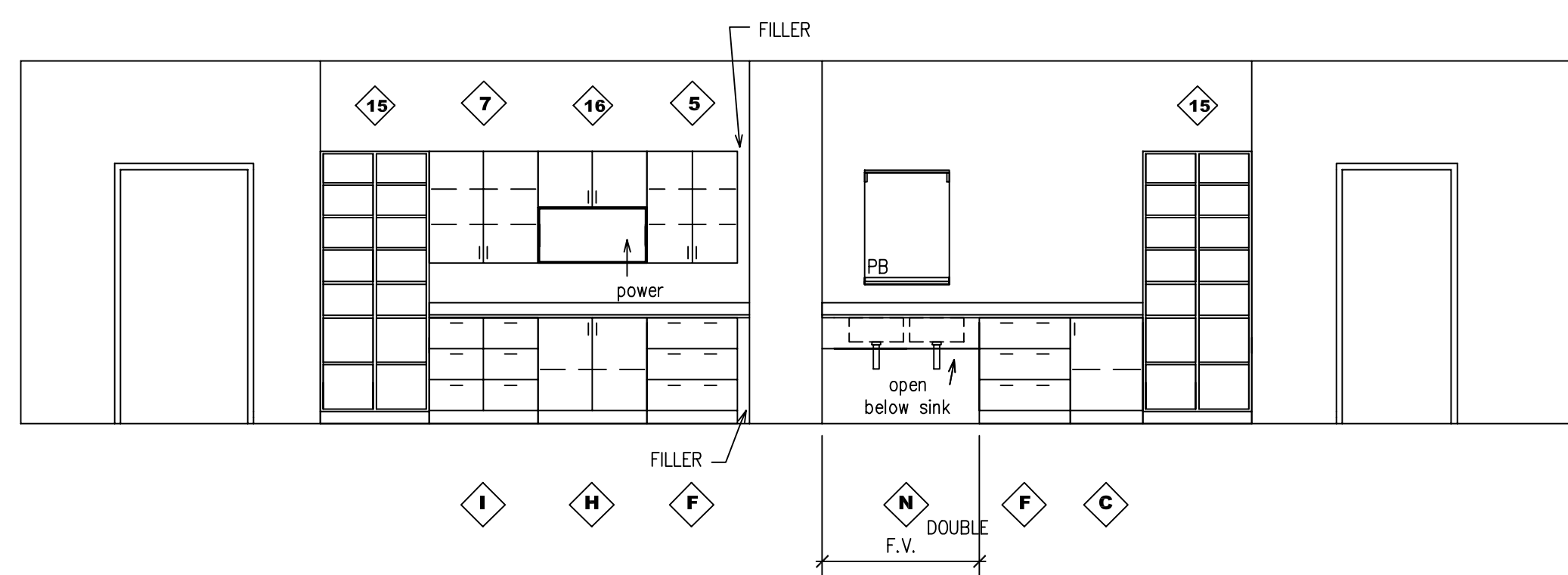
9  
A10.22 1/4"=1'-0"  
**327 (BY390) - E**



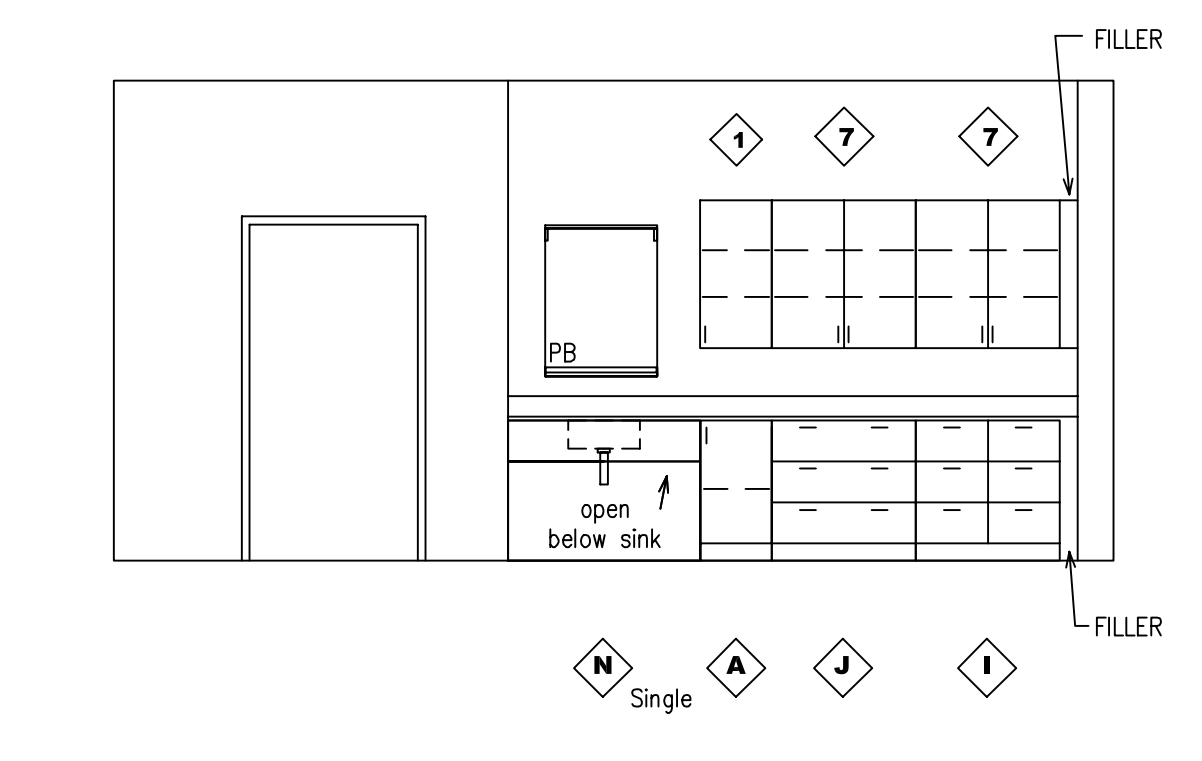
10  
A10.22 1/4"=1'-0"  
**329 (BY361) - S**



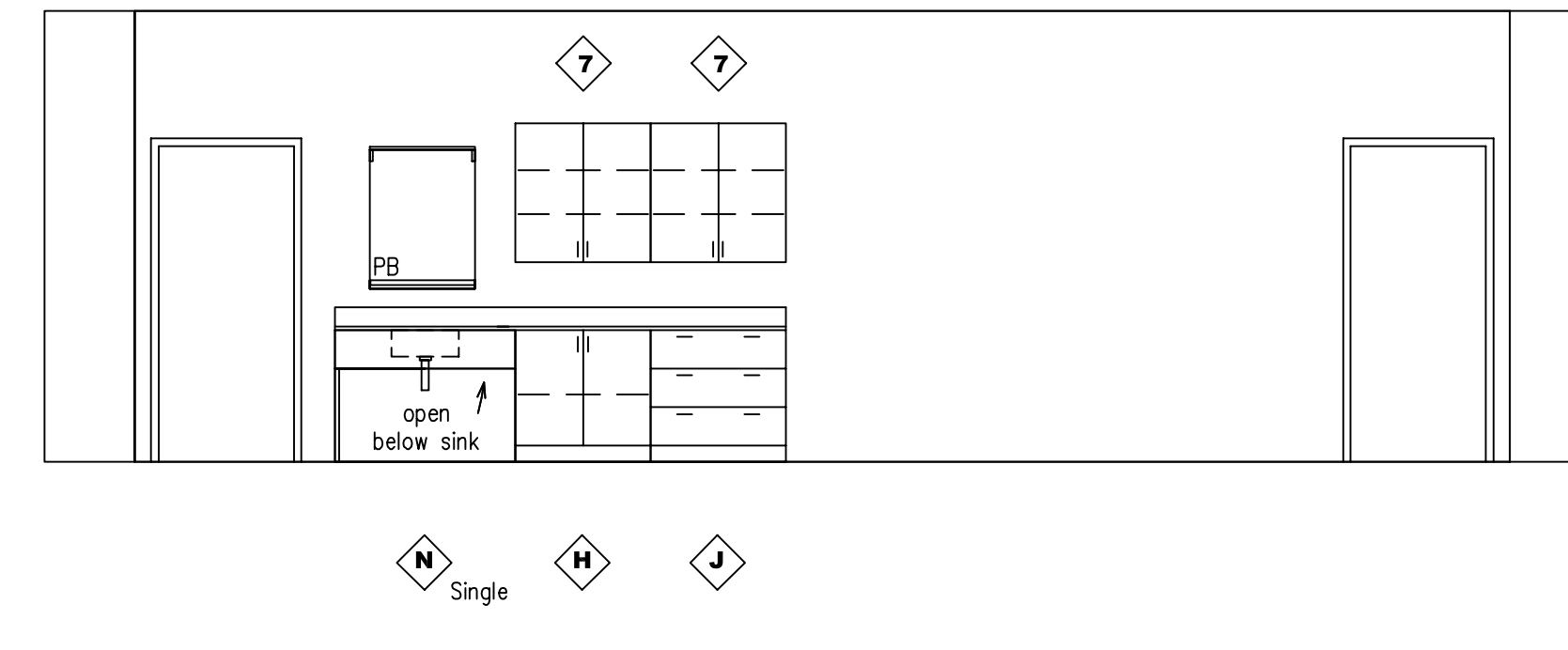
15  
A10.22 1/4"=1'-0"  
**313 (CH345) - N**



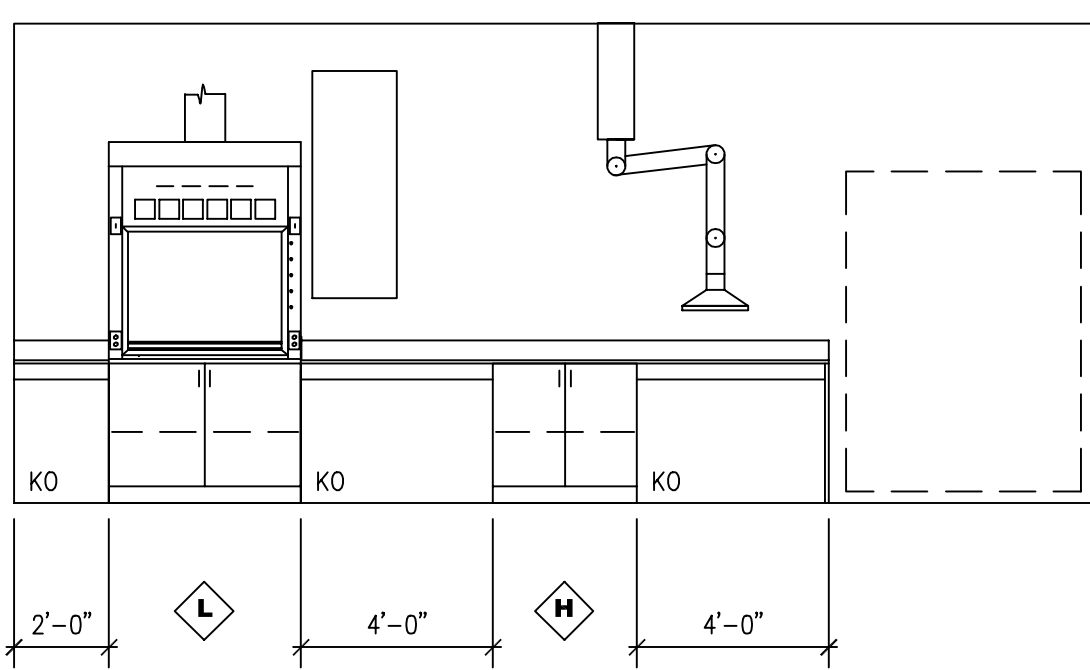
11  
A10.22 1/4"=1'-0"  
**329 (BY361) - N**



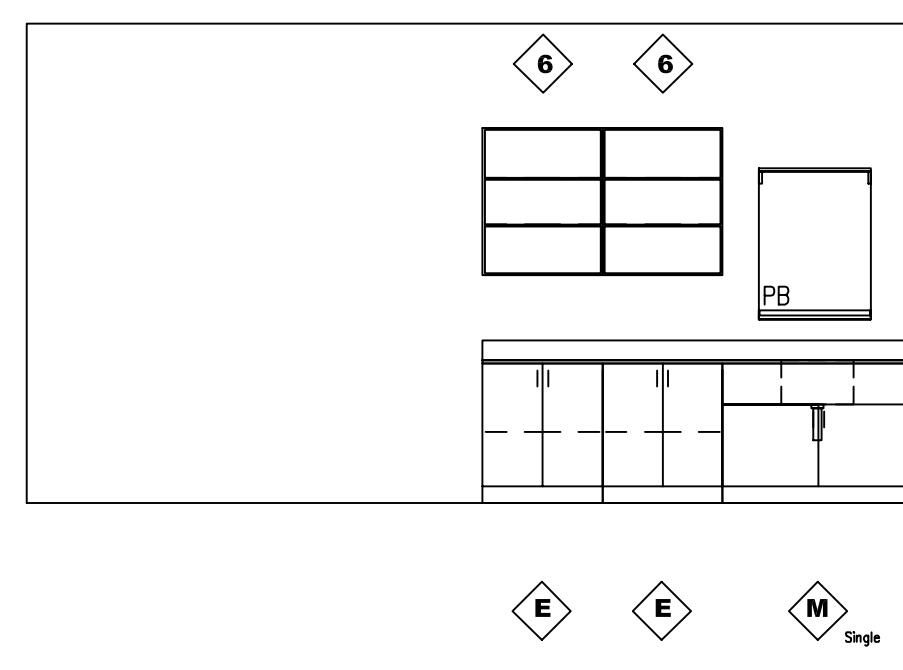
13  
A10.22 1/4"=1'-0"  
**326 (BY186) - N**



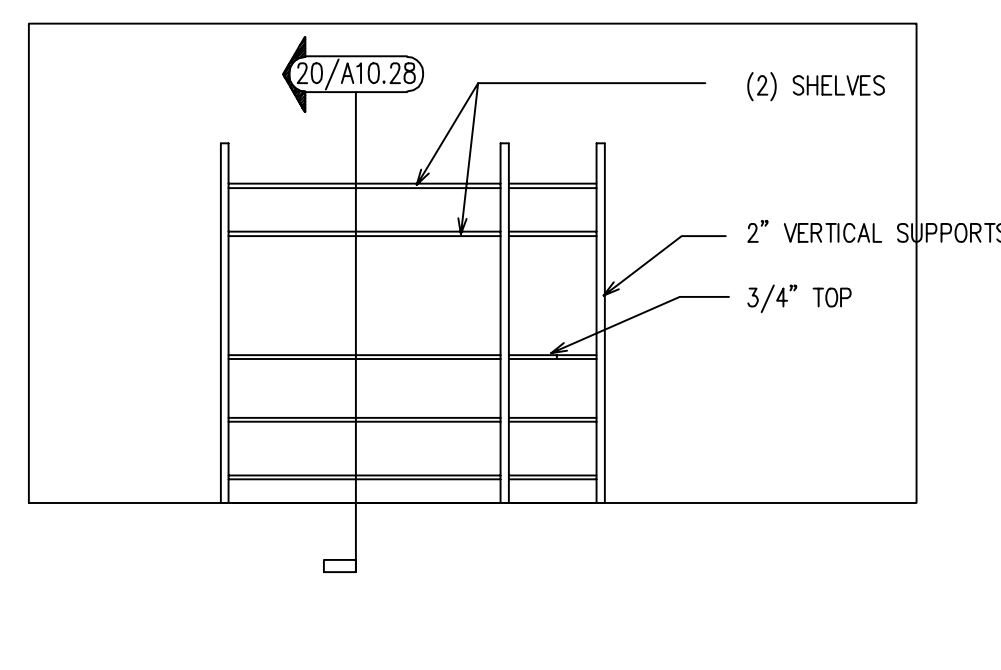
14  
A10.22 1/4"=1'-0"  
**307 (CH375) - E**



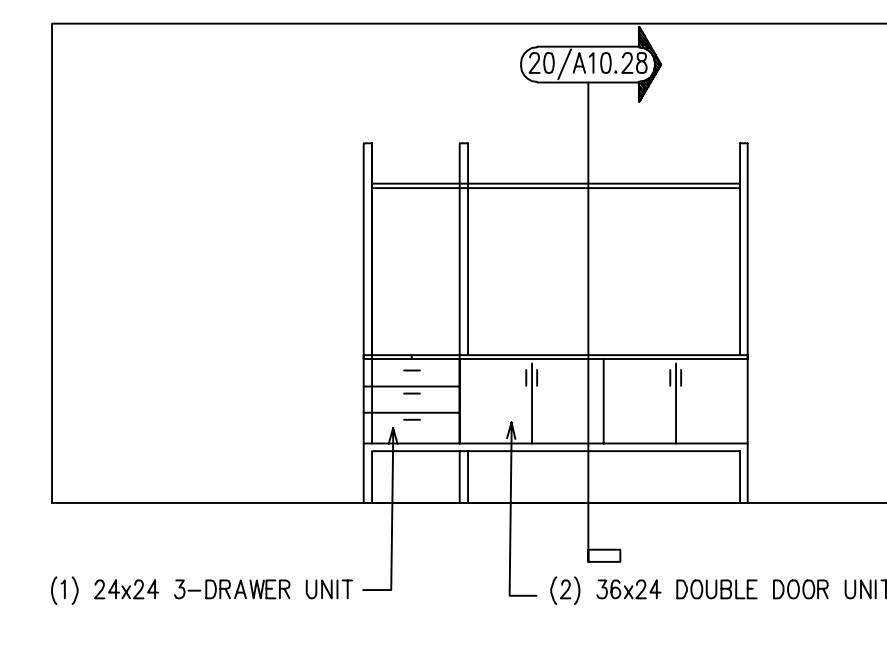
16  
A10.22 1/4"=1'-0"  
**313 (CH345) - E**



17  
A10.22 1/4"=1'-0"  
**313 (CH345) - S**




18  
A10.22 1/4"=1'-0"  
**313 (CH345) - ISLAND**



19  
A10.22 1/4"=1'-0"  
**313 (CH345) - ISLAND**

01-14-03

LABORATORY ELEVATIONS  
**A-10.22**

REVISIONS	DATE	NORTHERN KENTUCKY UNIVERSITY NATURAL SCIENCE BUILDING		PHASE C
1				
2				
3				
4				
5				
6				
7				
8				
9				
RECORD DATE		DRAWN BY <b>SMH/EJM</b>		DRAWING NO. <b>A-10.22</b>
CHECKED BY <b>SCH</b>		COMMONWEALTH OF KENTUCKY FINANCE AND ADMINISTRATION CABINET DIVISION OF ENGINEERING		REVIEWED DIV. OF ENGR.
A & E FILE NO.		DEPARTMENT FOR FACILITIES MANAGEMENT FRANKFORT, KENTUCKY		ENGR. FILE NO.
DATE <b>6/99</b>		 <b>Omni Architects</b>		
AGENCY AUTHORIZED AGENT		APPROVED FOR PROGRAM CONCEPT ONLY		DATE
DIVISION OF ENGINEERING		APPROVED FOR PROGRAM CONCEPT ONLY		DATE

health education + research associates  
**h e r a**