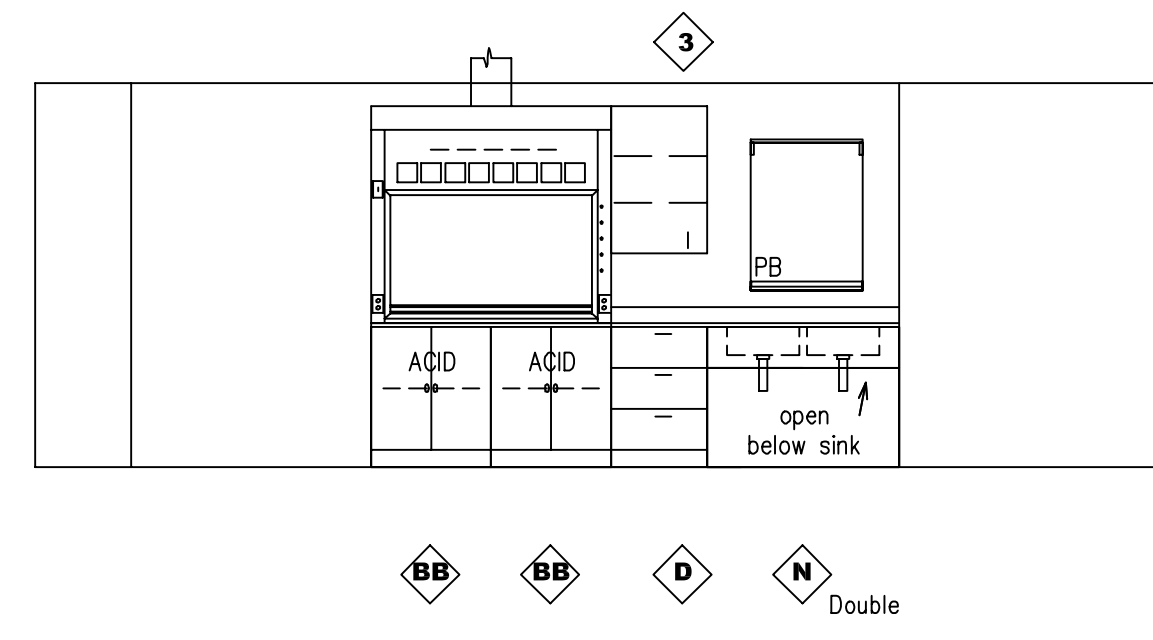
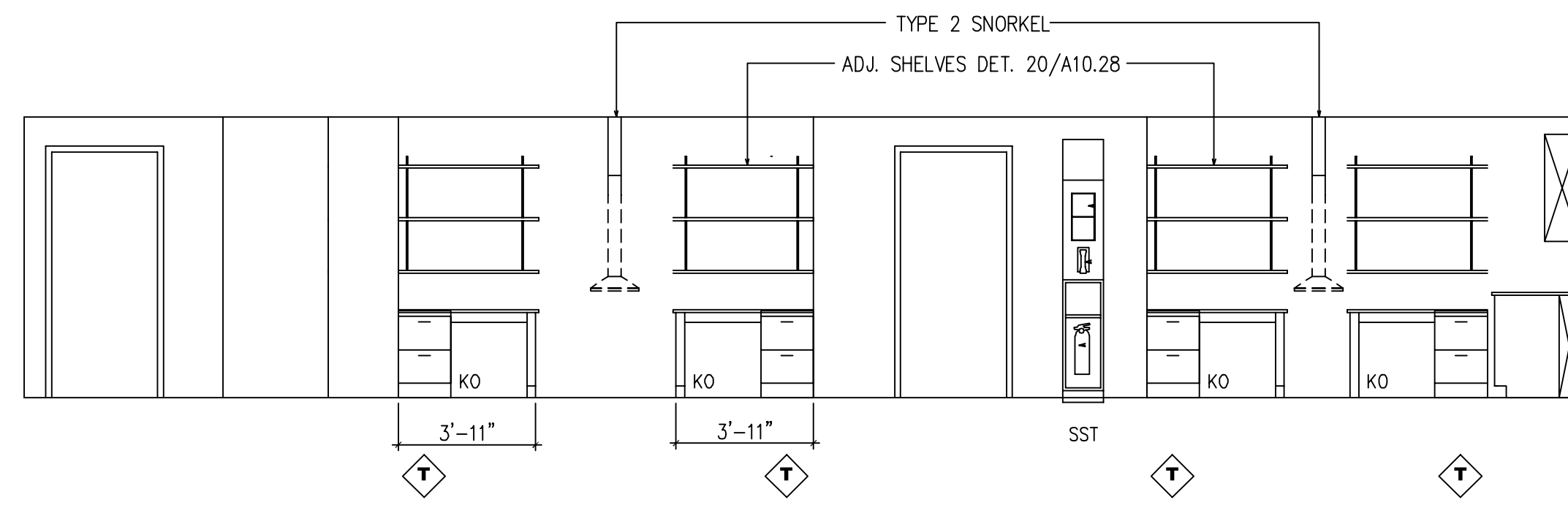


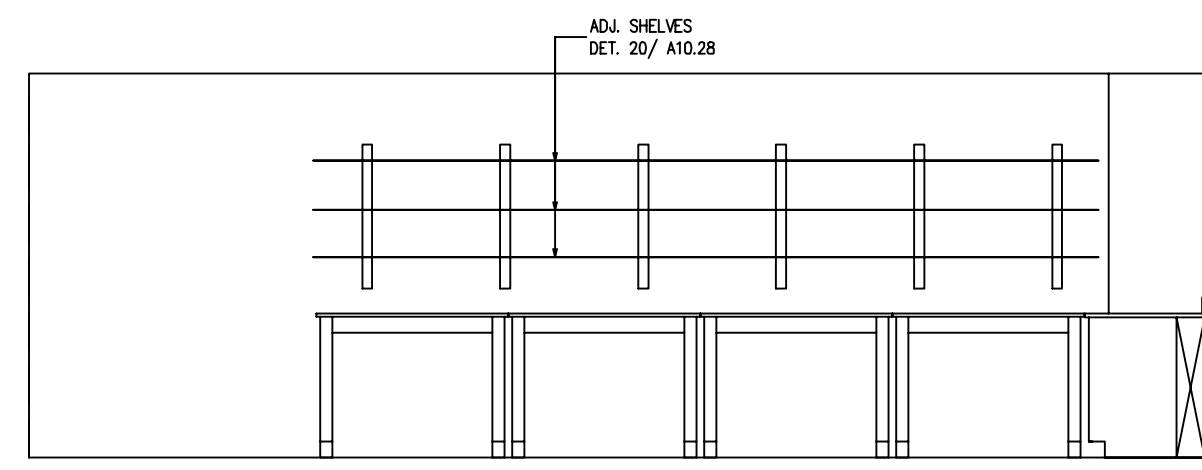
1
A10.24 1/4"=1'-0"



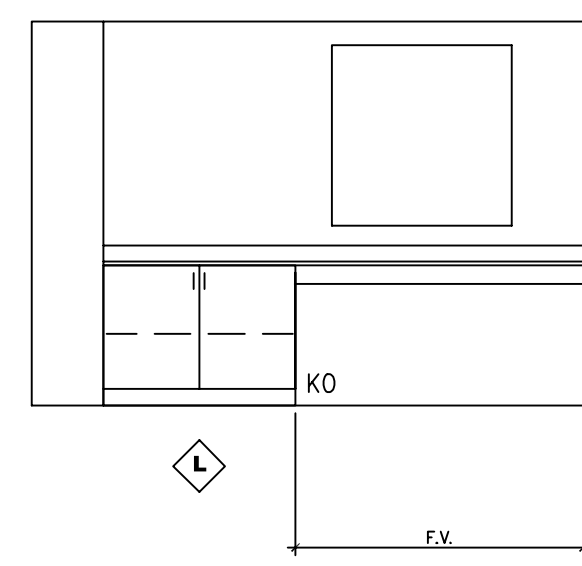
2
A10.24 1/4"=1'-0"



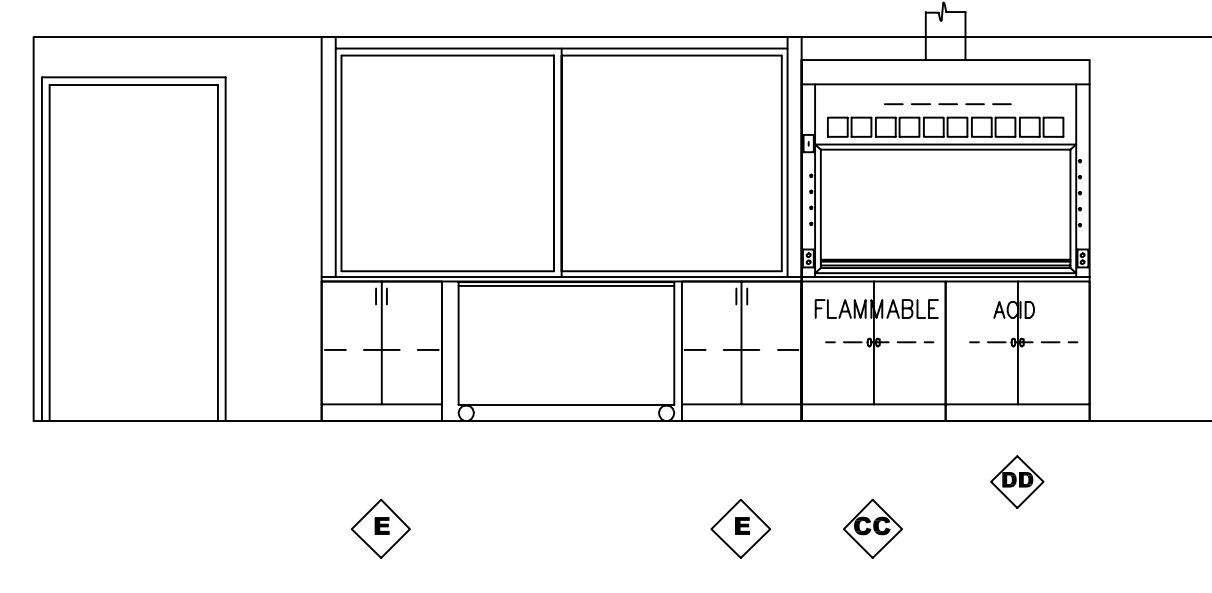
3
A10.24 1/4"=1'-0"



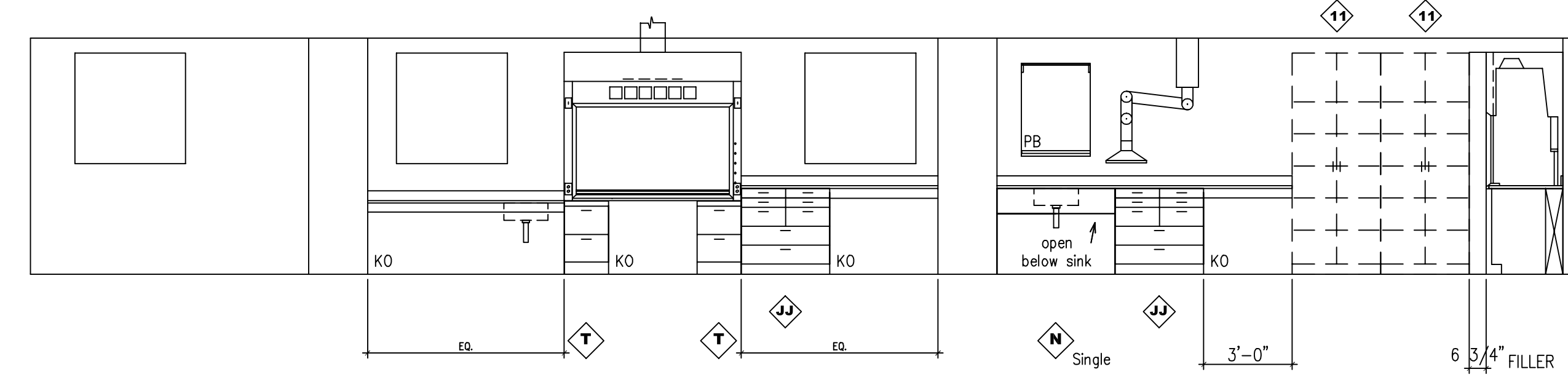
4
A10.24 1/4"=1'-0"



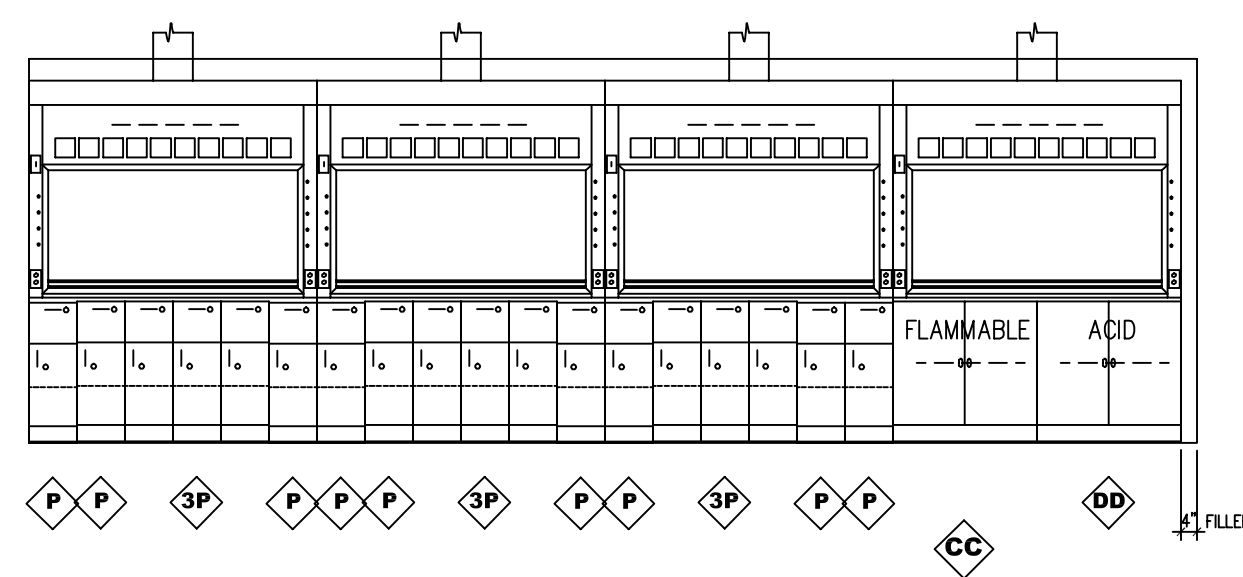
5
A10.24 1/4"=1'-0"



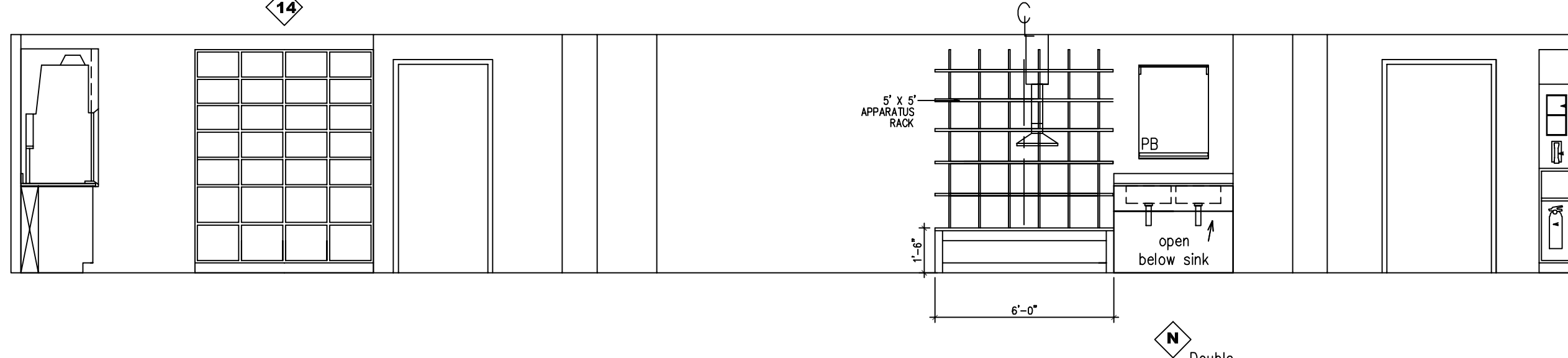
6
A10.24 1/4"=1'-0"



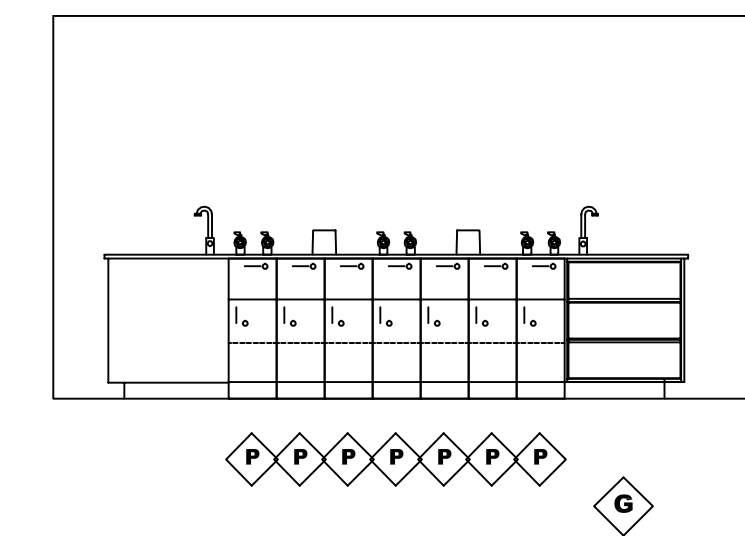
7
A10.24 1/4"=1'-0"



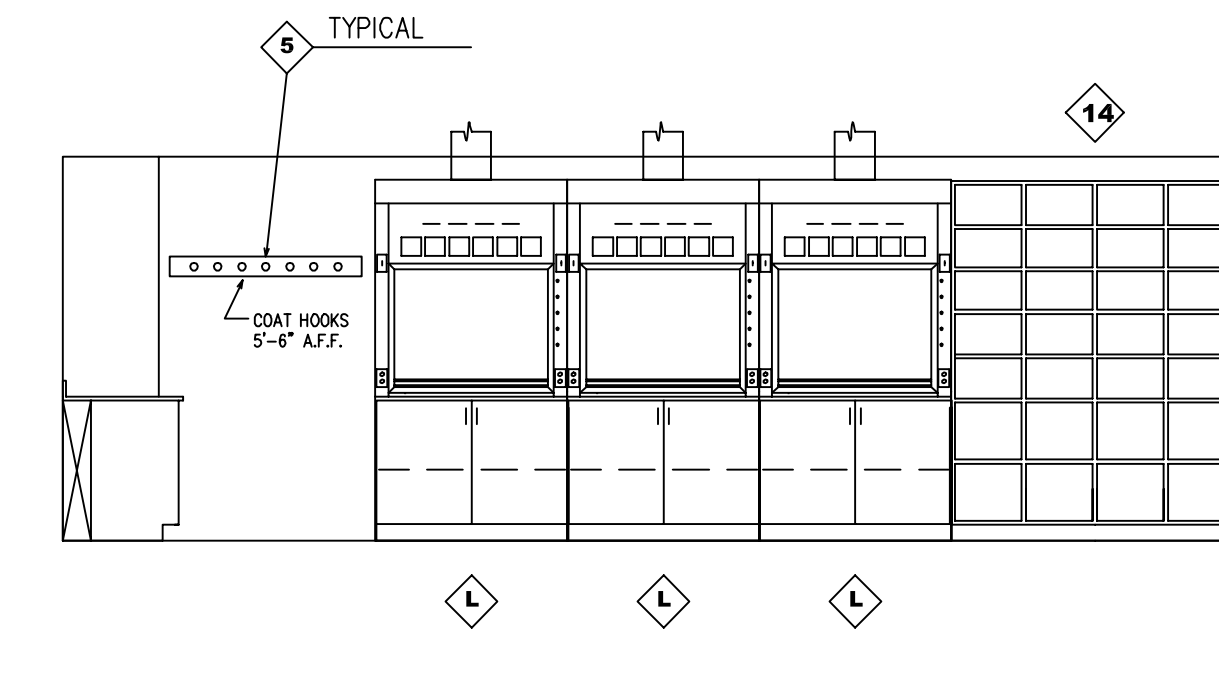
8
A10.24 1/4"=1'-0"



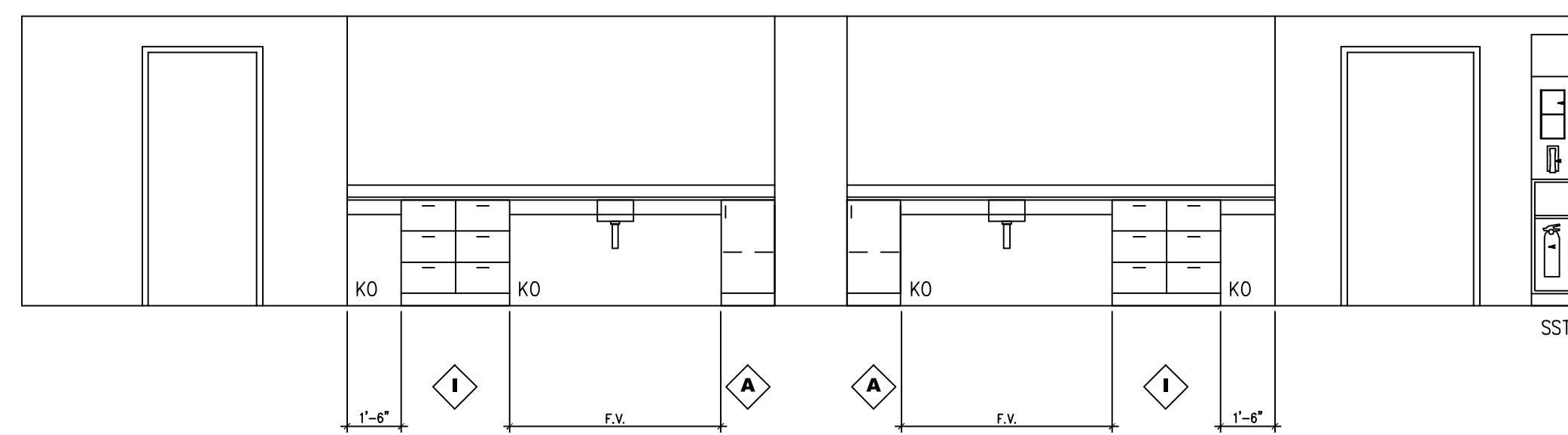
9
A10.24 1/4"=1'-0"



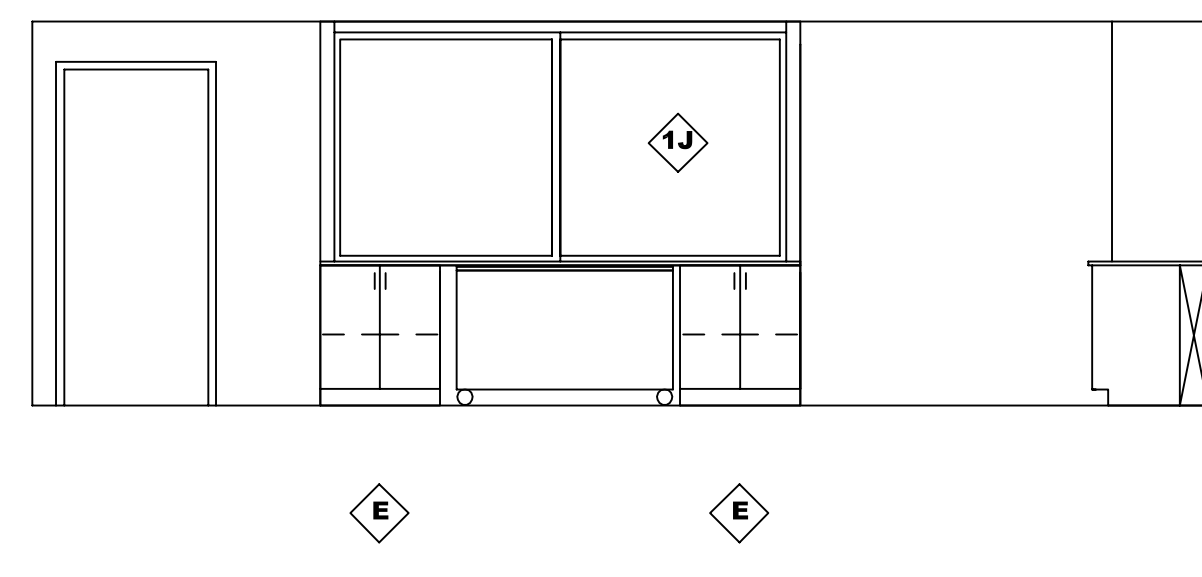
10
A10.24 1/4"=1'-0"



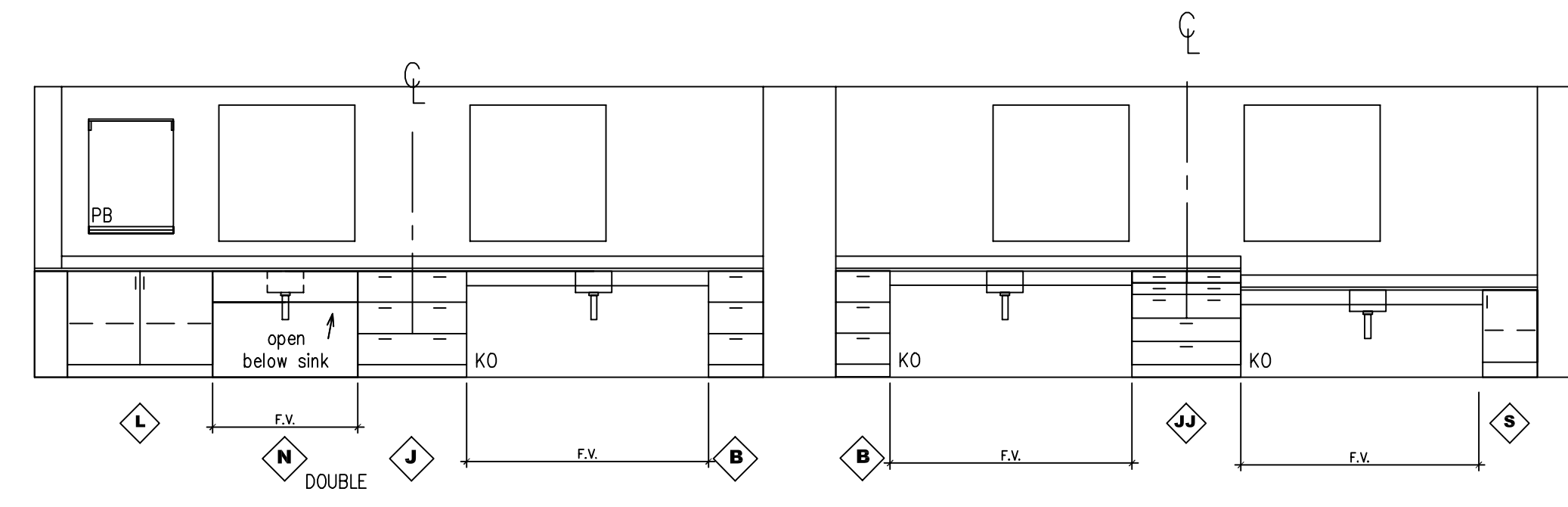
11
A10.24 1/4"=1'-0"



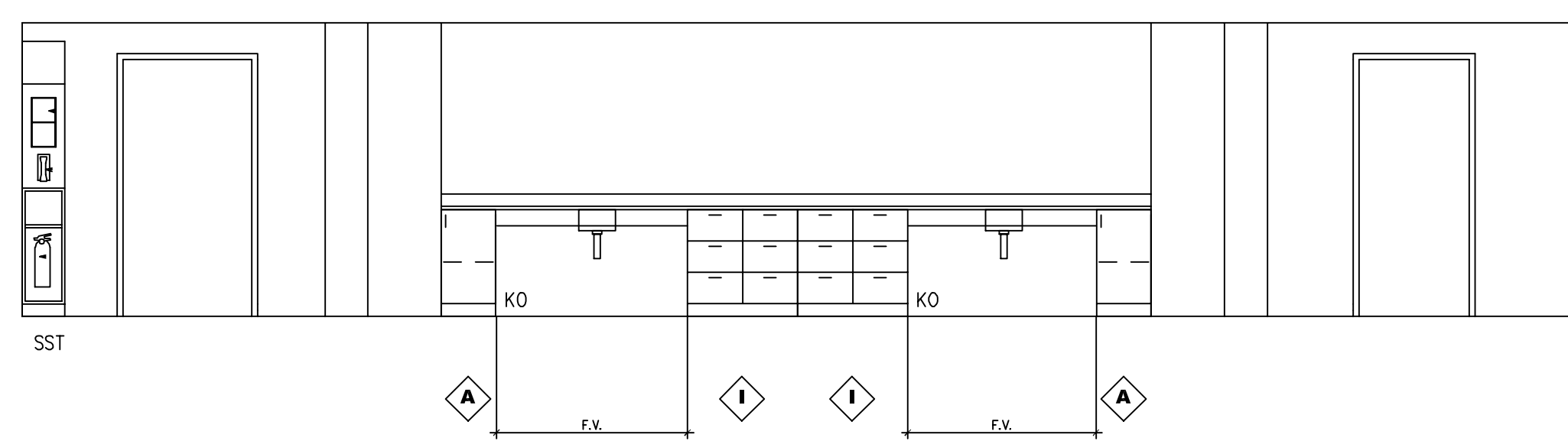
12
A10.24 1/4"=1'-0"



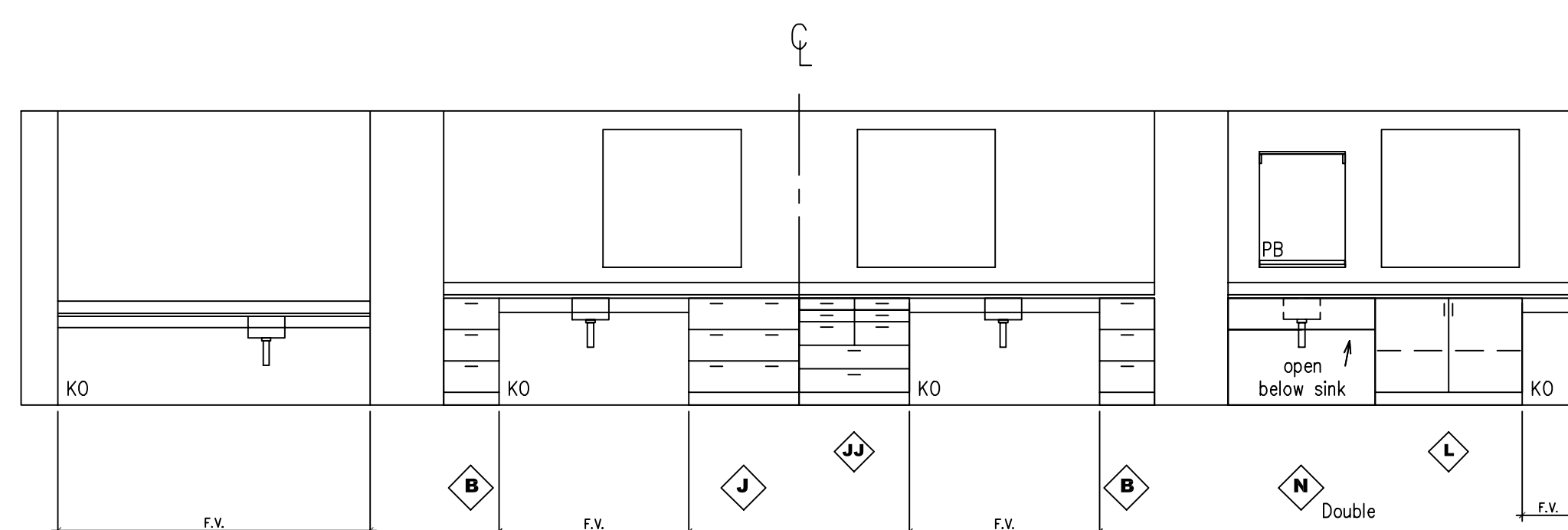
13
A10.24 1/4"=1'-0"



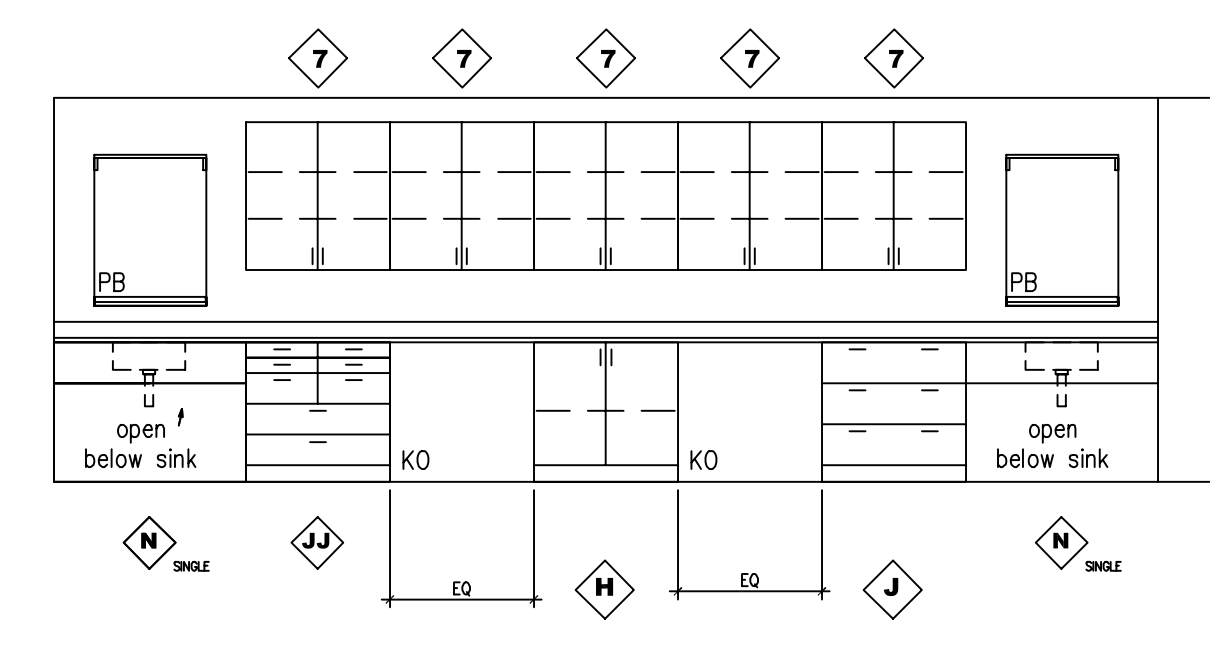
14
A10.24 1/4"=1'-0"



15
A10.24 1/4"=1'-0"



16
A10.24 1/4"=1'-0"



17
A10.24 1/4"=1'-0"

01-14-03

LABORATORY ELEVATIONS
A-10.24

REVISIONS	DATE	NORTHERN KENTUCKY UNIVERSITY NATURAL SCIENCE BUILDING		PHASE C
1				
2				
3				
4				
5				
6				
7				
8				
9				

DRAWN BY SHWEJMJWR CHECKED BY SCH A & E FILE NO:	COMMONWEALTH OF KENTUCKY FINANCE AND ADMINISTRATION CABINET DIVISION OF ENGINEERING DEPARTMENT FOR FACILITIES MANAGEMENT FRANKFORT, KENTUCKY	DRAWING NO: A-10.24 REVIEWED DIV. OF ENGR. ENGR. FILE NO:
DATE 06.99 AGENCY AUTHORIZED AGENT DIVISION OF ENGINEERING	 APPROVED FOR PROGRAM CONCEPT ONLY APPROVED FOR PROGRAM CONCEPT ONLY	DATE _____ DATE _____

health education + research associates
h e r a