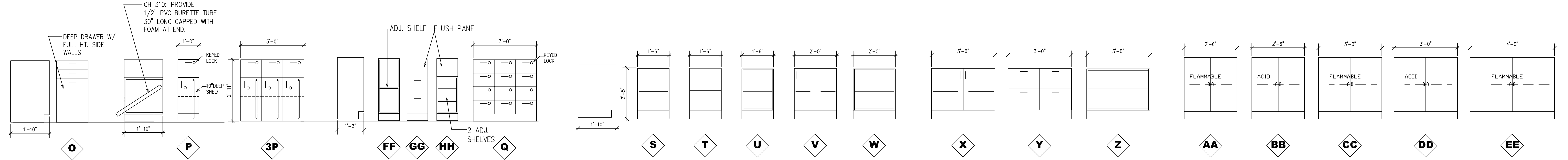


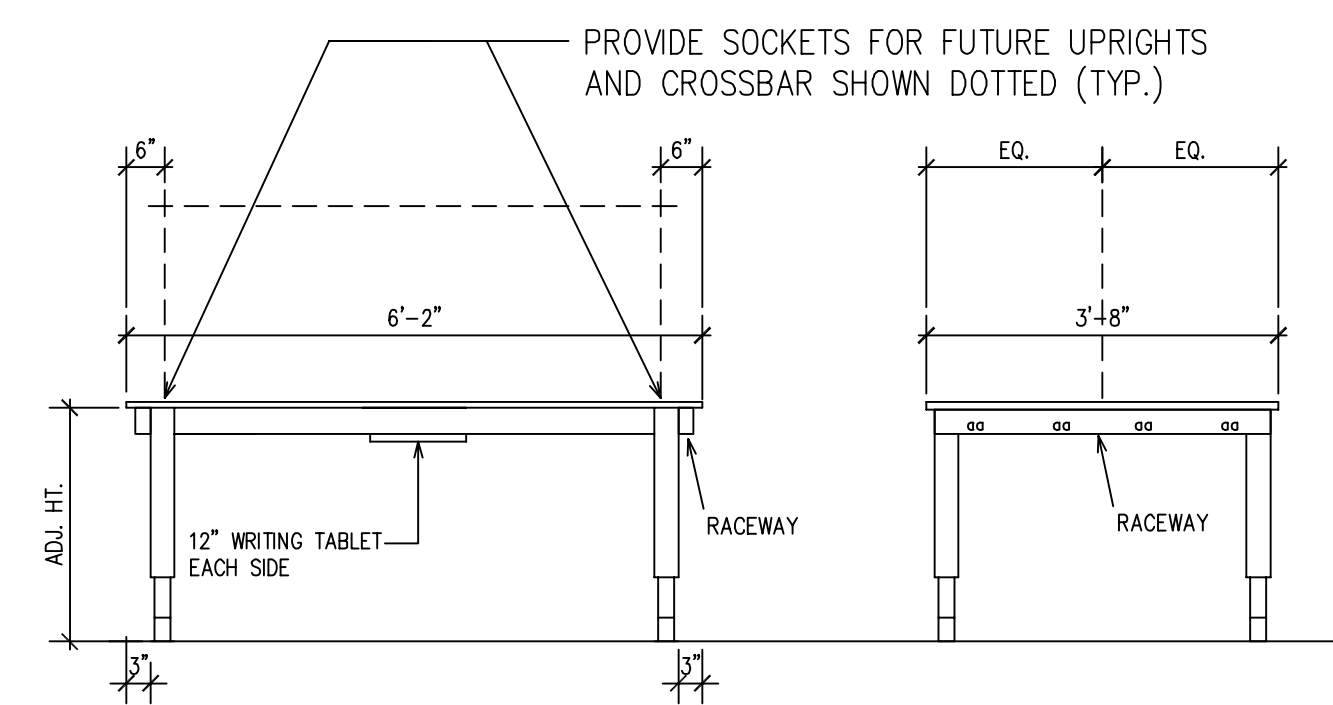
1 BASE CABINETS (STANDING HEIGHT) NOTE: ALL INTERIOR SHELVES ADJUSTABLE. PROVIDE 4" BLACK RESILIENT BASE AT ALL CASEWORK TOEKICKS.
 A10.27 1/2"=1'-0"



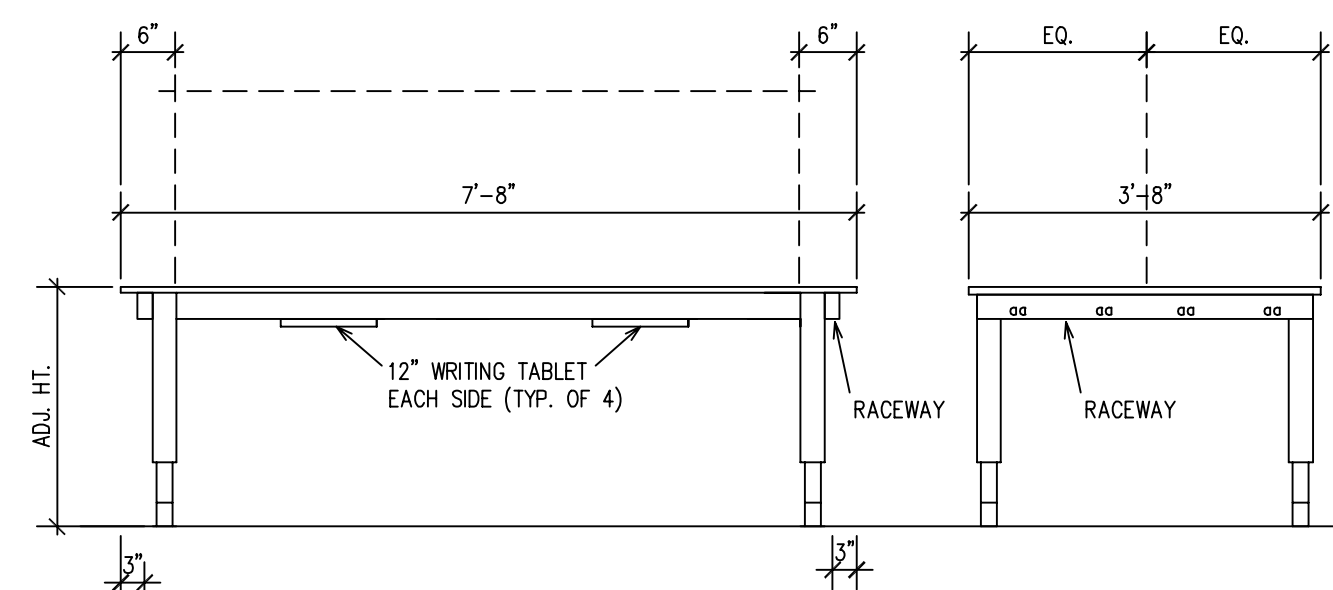
2 SPECIALIZED CABINETS
 A10.27 1/2"=1'-0"

3 BASE CABINETS (SITTING HEIGHT)
 A10.27 1/2"=1'-0"

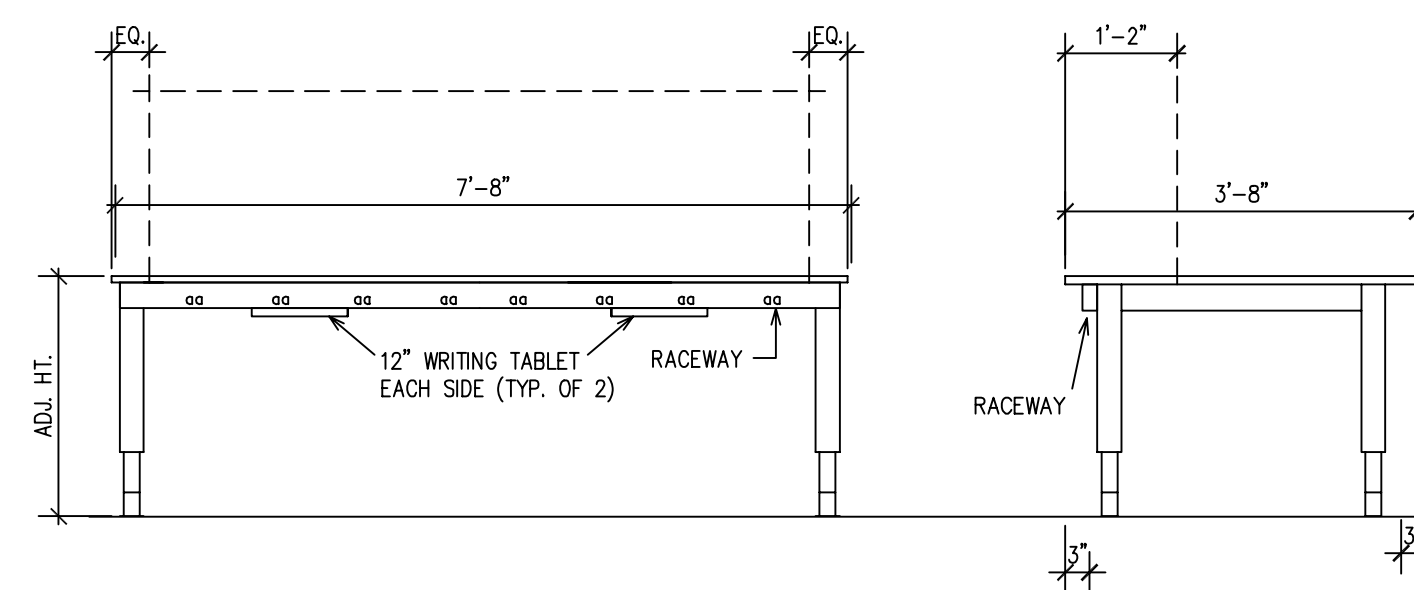
4 FLAMMABLE & ACID STORAGE BASE CABINETS
 A10.27 1/2"=1'-0"



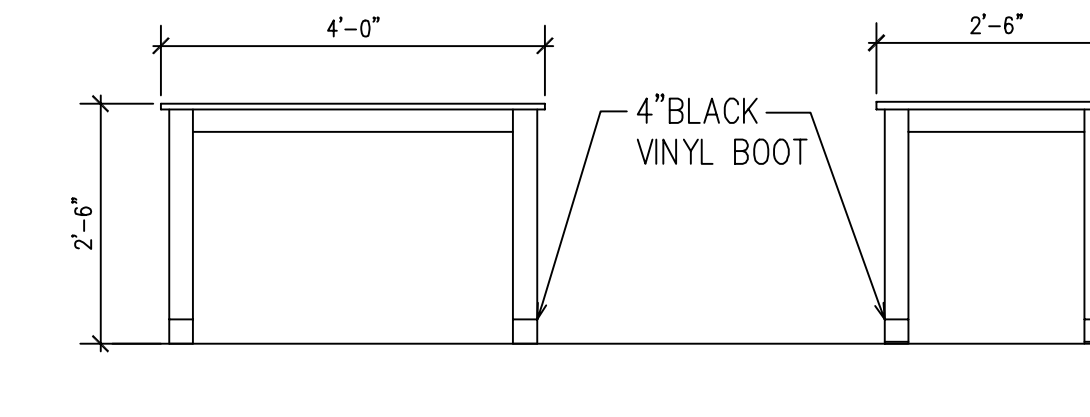
5 TABLE T-1
 A10.27 1/2"=1'-0" END VIEW



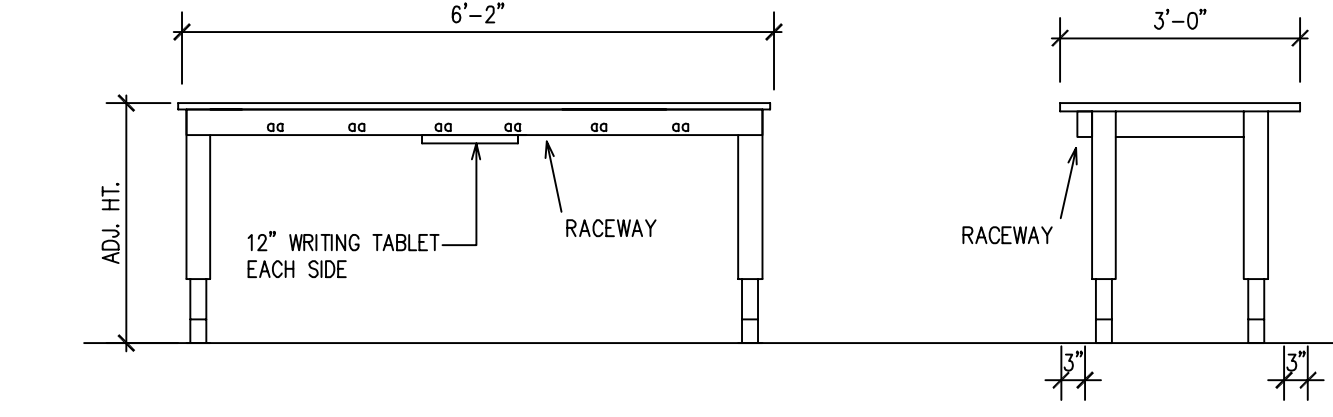
6 TABLE T-2
 A10.27 1/2"=1'-0" END VIEW



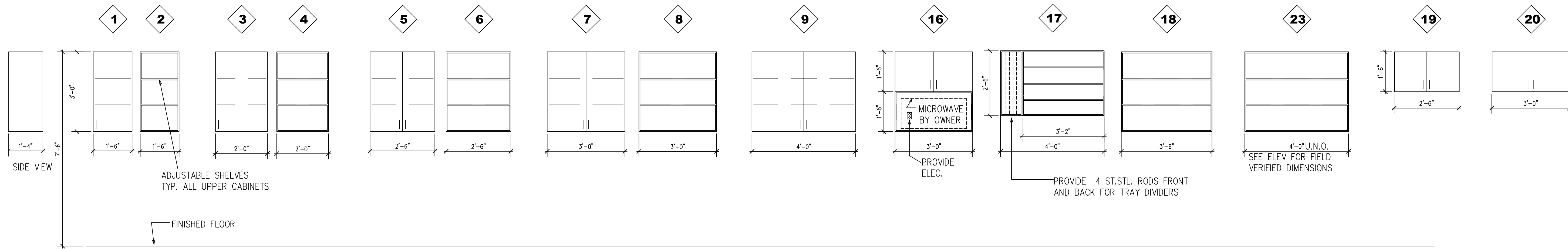
7 TABLE T-3
 A10.27 1/2"=1'-0" END VIEW



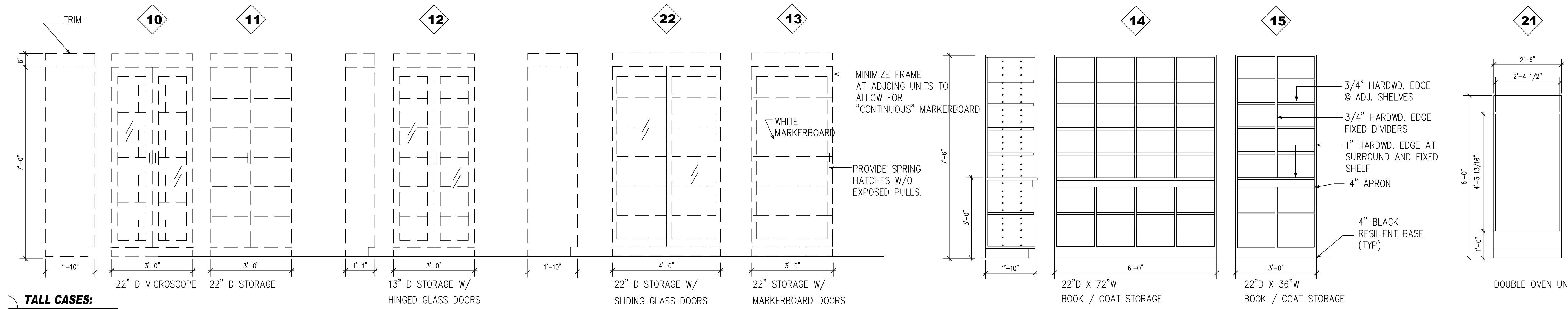
8 TABLE T-4 (FIXED HT. TABLE)
 A10.27 1/2"=1'-0" END VIEW



9 TABLE T-5
 A10.27 1/2"=1'-0" END VIEW



10 WALL CABINETS NOTE: WALL CABINETS WITH HINGED GLASS DOORS (BY 390, 580C, CH 200A, PG 440) SEE ELEV'S.
 A10.27 1/2"=1'-0"



TALL CASES:
 A10.27 1/2"=1'-0" NOTE: TALL STORAGE CASES SHOWN DOTTED ARE ADD ALT.NO.3.

CASEWORK MENU

A-10.27

01-14-03

REVISIONS	DATE	NORTHERN KENTUCKY UNIVERSITY NATURAL SCIENCE BUILDING	
1		PHASE C	DRAWING NO:
2			A-10.27
3			REVIEWED DIV. OF ENGR.
4			ENGR. FILE NO:
5			
6			
7			
8			
9			

health education + research associates

Omni Architects

AGENCY AUTHORIZED AGENT	APPROVED FOR PROGRAM CONCEPT ONLY	DATE
DIVISION OF ENGINEERING	APPROVED FOR PROGRAM CONCEPT ONLY	DATE