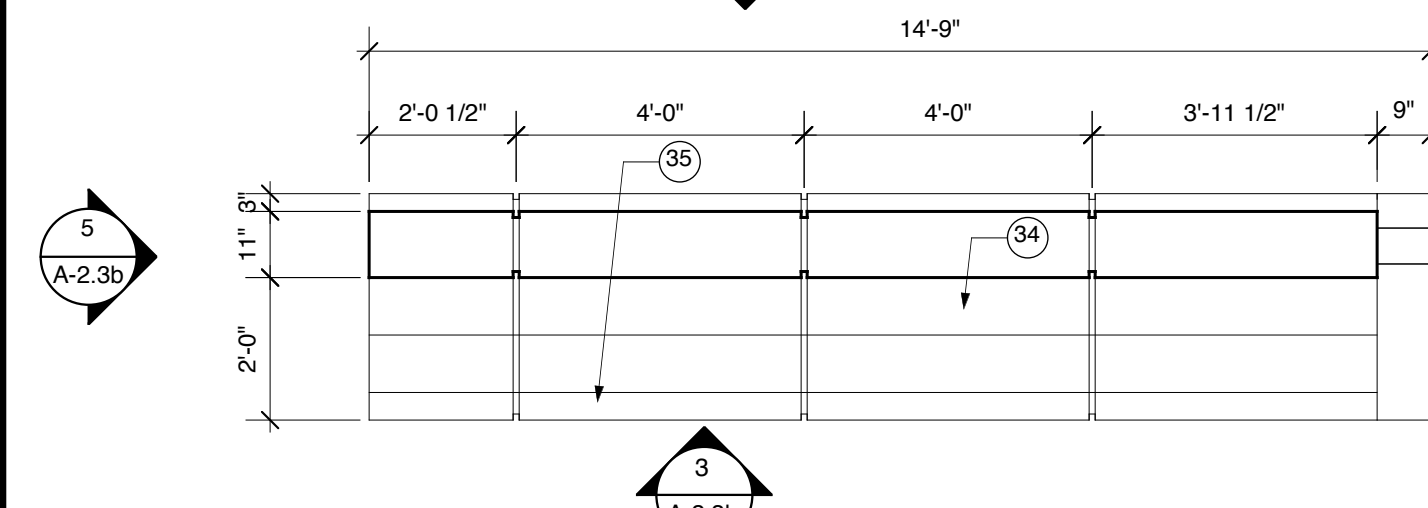
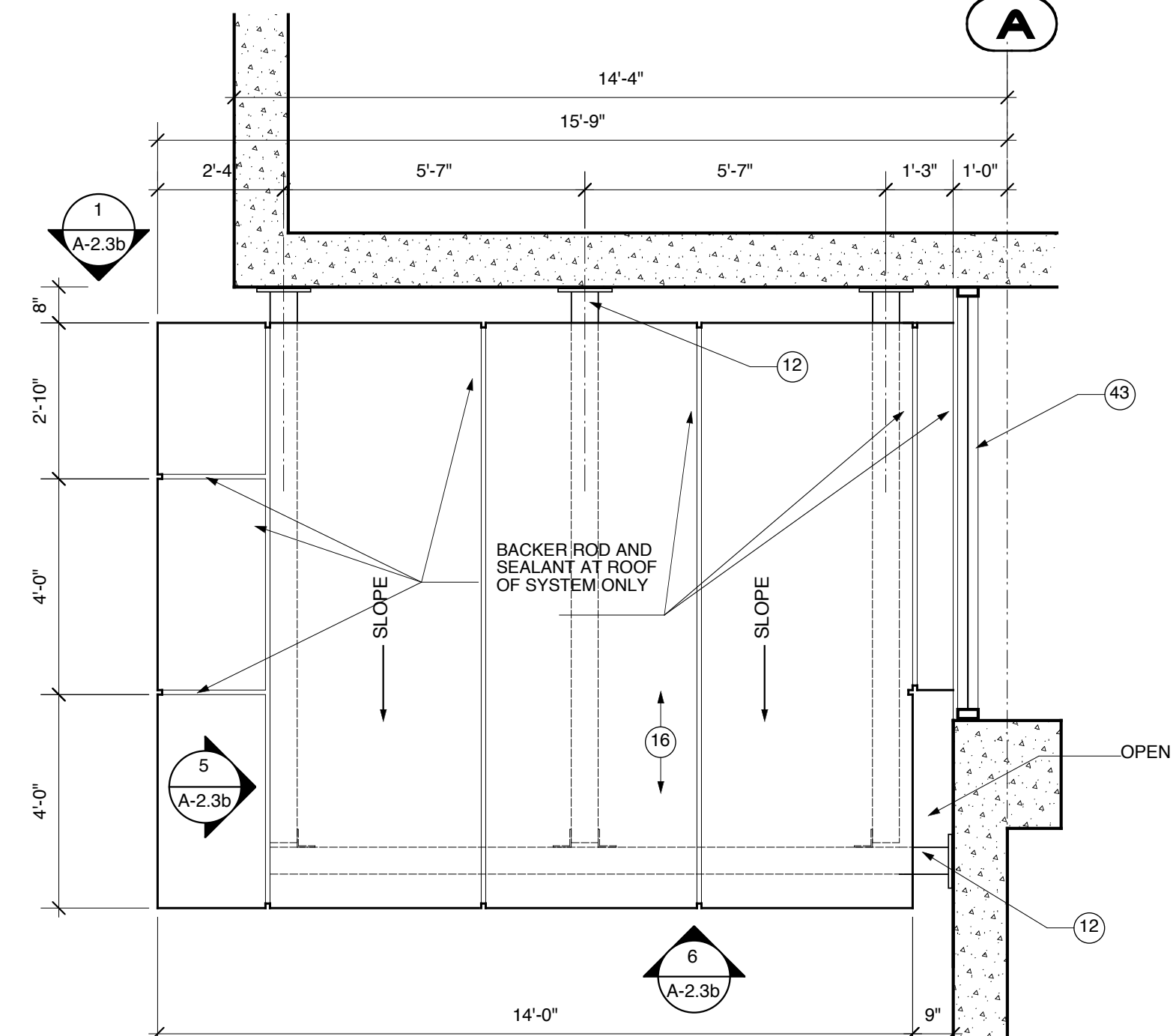


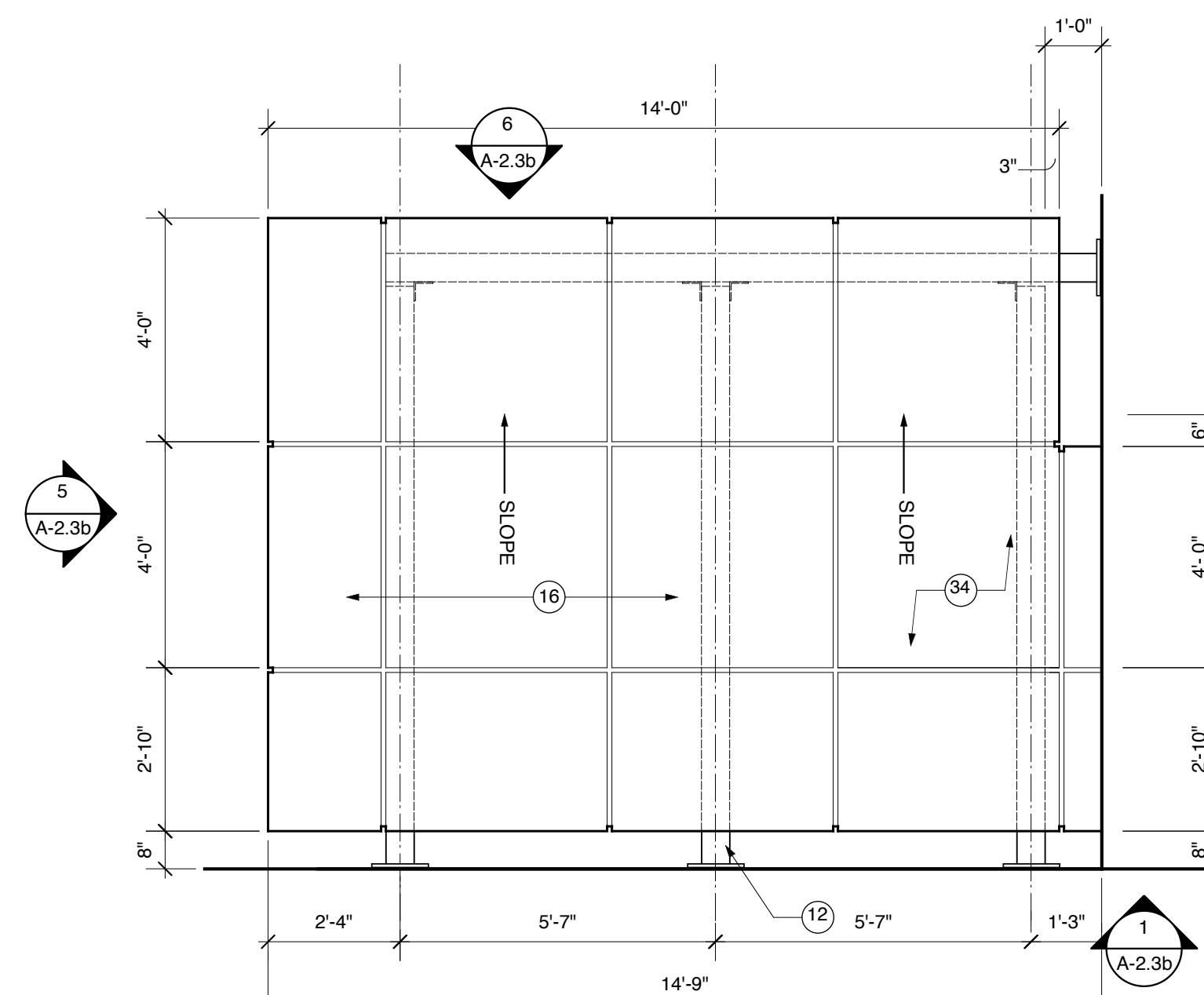
**1 CANOPY DETAIL (NORTH)**  
3/8" = 1'-0"



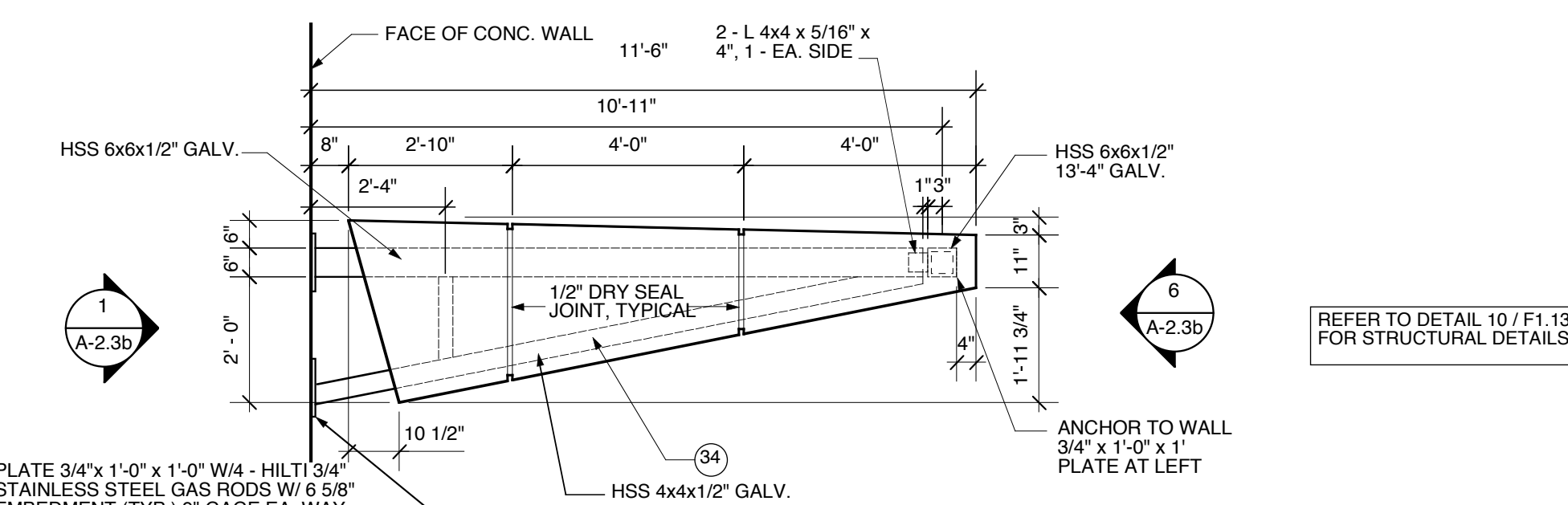
**5 CANOPY DETAIL (SOUTH)**  
3/8" = 1'-0"



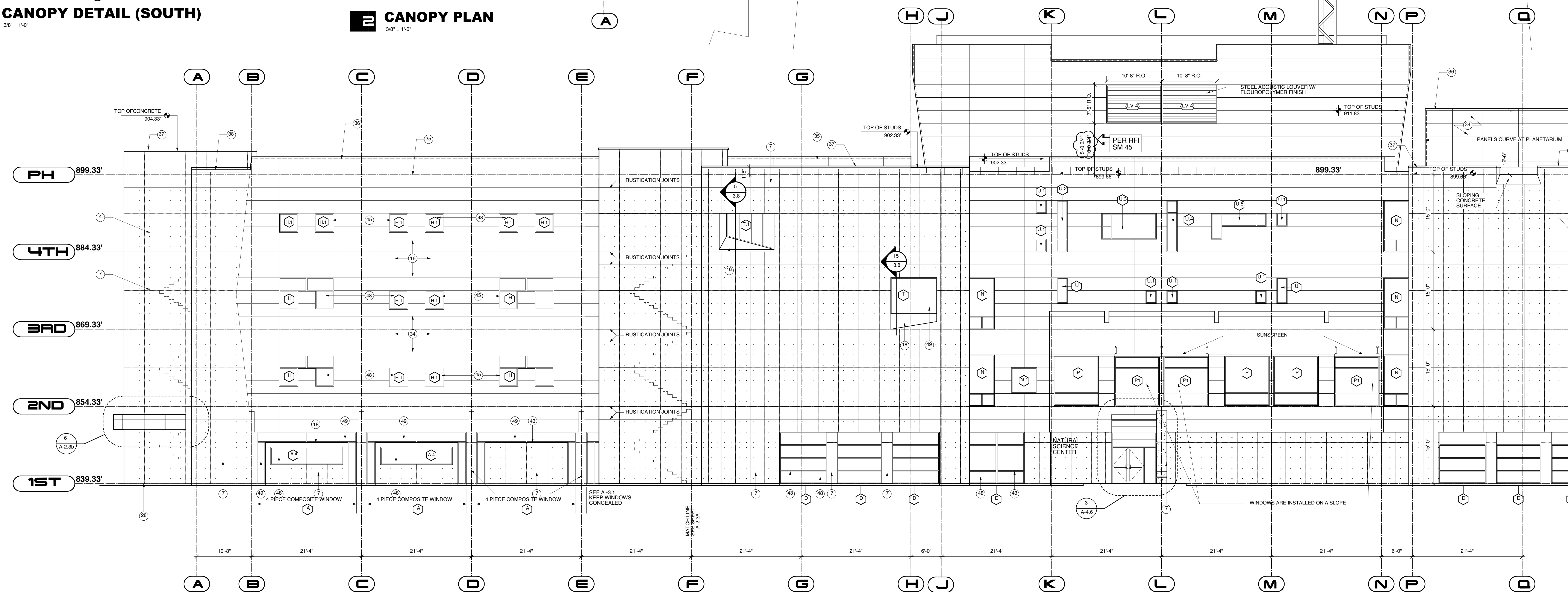
**2 CANOPY PLAN**  
3/8" = 1'-0"



**3 CANOPY REFLECTED CEILING PLAN**  
3/8" = 1'-0"



**5 CANOPY DETAIL (WEST)**  
3/8" = 1'-0"



**16 SOUTH ELEVATION (WEST)**  
1/8" = 1'-0"

**RECORD DOCUMENTS**  
These Record Documents have been prepared based on information provided by others. The Consultant has not verified the accuracy and/or completeness of this information and shall not be responsible for any errors or omissions that may be incorporated as a result of erroneous information provided by others.

**SOUTH ELEVATION (WEST)**

**Omni** ARCHITECTS  
DATE: 12/1/02

**A-2.3b**

- |  |   |  |
|--|---|--|
| <p>1 STRUCTURAL CONCRETE FOUNDATION - SEE STRUCTURAL DRAWINGS FOR DIMENSIONS, BEARING POINTS AND REINFORCING</p> <p>2 STRUCTURAL CONCRETE SLAB - SEE STRUCTURAL DRAWINGS FOR DIMENSIONS, BEARING POINTS AND REINFORCING</p> <p>3 EXPOSED CAST-IN-PLACE CONCRETE SURFACE - DO NOT PAINT</p> <p>4 EXPOSED CAST-IN-PLACE CONCRETE WEARING SLAB OVER RIGID INSULATION OVER MEMBRANE FLASHING OVER STRUCTURAL CONCRETE SLAB</p> <p>5 LIGHTWEIGHT CONCRETE TOPPING OVER STRUCTURAL CONCRETE SLAB - SLOPE AT 1/4" PER FOOT TO DRAIN AS SHOWN ON ROOF PLAN</p> <p>6 EXPOSED CAST-IN-PLACE CONCRETE WITH ARCHITECTURAL FINISH AND RUSTICATION JOINTS</p> <p>7 CONCRETE REVEAL FOR SURFACEMOUNTED LIGHT FIXTURE</p> <p>8 CONCRETE MASONRY UNITS WITH HORIZONTAL JOINT REINFORCING AT 16" ON CENTER VERTICALLY - SEE FINISH SCHEDULE FOR FINISH</p> <p>9 EXPOSED STEEL STRUCTURE WITH INTUMESCENT PAINTED FINISH - SEE STRUCTURAL DRAWINGS FOR SIZE AND DIMENSIONS</p> <p>10 EXPOSED STEEL STRUCTURE WITH PAINTED FINISH - SEE STRUCTURAL DRAWINGS FOR SIZE AND DIMENSIONS</p> <p>11 METAL ROOF DECK - SEE STRUCTURAL DRAWINGS FOR DEPTH AND GAUGE</p> <p>12 STEEL EDGE ANGLE - SEE STRUCTURAL DRAWINGS FOR SIZE AND DIMENSIONS AT 16" ON CENTER</p> <p>13 16 GAUGE COLD-FORMED METAL STUDS AT 16" ON CENTER</p> <p>14 SECURE EACH COLD-FORMED FRAMING MEMBER TO STEEL STRUCTURE WITH SLIP JOINT FOR DEFLECTION</p> <p>15 SLOPED CONCRETE SURFACE</p> <p>16 PROVIDE DOUBLE STUDS AT THIS LOCATION, TYPICAL</p> <p>17 METAL STUDS AT 16" ON CENTER</p> <p>18 METAL FRAMING AT 16" ON CENTER</p> <p>19 EXTERIOR ALUMINUM GUARDRAIL WITH BLACK FLUOROPOLYMER FINISH - 42" HIGH</p> <p>20 METAL HANDRAIL / GUARDRAIL WITH PAINTED FINISH</p> <p>21 HOLLOW METAL DOOR AND FRAME WITH PAINTED FINISH</p> <p>22 FIRE-TREATED WOOD BLOCKING</p> <p>23 SHIM AS REQUIRED AT PERIMETER</p> <p>24 SOLID SURFACING WINDOW</p> <p>25 APPROXIMATE FINISH GRADE - SEE SITE DRAWINGS FOR ELEVATION</p> <p>26 AIR INFILTRATION BARRIER WITH TAPED JOINTS OVER 1/2" GLASSMATE-FACED EXTERIOR GYPSUM SHEATHING ON EXTERIOR FACE OF WALL AND 6 MIL VAPOR BARRIER ON INTERIOR FACE OF WALL. FILL WALL CAVITY WITH BATT INSULATION</p> <p>27 BACKER ROD AND SEALANT IN COMPOSITE ALUMINUM PANEL JOINTS IN THIS LOCATION ONLY</p> <p>28 COMPOSITE ALUMINUM SPANDREL PANEL WITH FINISH TO MATCH SURROUNDING FRAME</p> <p>29 COMPOSITE ALUMINUM PANEL SYSTEM WITH FLUOROPOLYMER FINISH (COLOR SELECTED BY ARCHITECT)</p> <p>30 THERMALLY-BROKEN ALUMINUM CURTAINWALL FRAMING SYSTEM WITH FLUOROPOLYMER FINISH TO MATCH ALUMINUM COMPOSITE PANEL COLOR</p> <p>31 THERMALLY-BROKEN ALUMINUM SKYLIGHT WITH FLUOROPOLYMER FINISH</p> <p>32 METAL HANDRAIL / GUARDRAIL WITH PAINTED FINISH</p> <p>33 HOLLOW METAL DOOR AND FRAME WITH PAINTED FINISH</p> <p>34 FIRE-TREATED WOOD BLOCKING</p> <p>35 SHIM AS REQUIRED AT PERIMETER</p> <p>36 SOLID SURFACING WINDOW</p> <p>37 APPROXIMATE FINISH GRADE - SEE SITE DRAWINGS FOR ELEVATION</p> <p>38 AIR INFILTRATION BARRIER WITH TAPED JOINTS OVER 1/2" GLASSMATE-FACED EXTERIOR GYPSUM SHEATHING ON EXTERIOR FACE OF WALL AND 6 MIL VAPOR BARRIER ON INTERIOR FACE OF WALL. FILL WALL CAVITY WITH BATT INSULATION</p> <p>39 BACKER ROD AND SEALANT</p> <p>40 EXTRUDED ALUMINUM COPING WITH FLUOROPOLYMER FINISH TO MATCH ALUMINUM COMPOSITE PANEL COLOR</p> <p>41 EXTRUDED ALUMINUM FASCIA/ROOF EDGE WITH FLUOROPOLYMER FINISH TO MATCH ALUMINUM COMPOSITE PANEL COLOR</p> <p>42 HOT-ASPHALT-APPLIED MULTI-PLY SSS MODIFIED BITUMEN ROOFING SYSTEM OVER POLYISOCYANURATE INSULATION BOARD - INSULATION TO BE APPROVED BY ROOFING MANUFACTURER. PROVIDE PROTECTION BOARD WHERE REQUIRED BY ROOFING MANUFACTURER</p> <p>43 SLOPE RIGID INSULATION BOARD AT 1/4" PER FOOT TO DRAIN AS SHOWN ON ROOF PLAN - R-20 AVERAGE</p> <p>44 UNIFORM THICKNESS RIGID INSULATION BOARD - R-20 MINIMUM</p> <p>45 1/2" GLASSMATE-FACED GYPSUM THERMAL BARRIER BOARD</p> <p>46 1" INSULATING CLEAR GLAZING WITH LOW-EMISSIVITY COATING</p> <p>47 1 1/2" INSULATING GREY TINTED GLAZING WITH LOW-EMISSIVITY COATING</p> <p>48 5/8" GYPSUM BOARD OVER VAPOR BARRIER OVER RIGID INSULATION OVER 2" METAL FURRING</p> <p>49 5/8" GYPSUM BOARD - SEE FINISH SCHEDULE FOR FINISHES AND WALL TYPE SCHEDULE FOR RATED MATERIALS</p> <p>50 5/8" GYPSUM BOARD BEYOND</p> <p>51 SUSPENDED ACOUSTIC CEILING SYSTEM WITH 2'x2' PANELS - SEE FINISH SCHEDULE FOR PANEL TYPES</p> <p>52 3 1/2" TAPERED RESILIENT BASE - SEE SCHEDULE FOR TYPE</p> <p>53 WALL BASE - SEE SCHEDULE FOR TYPE</p> <p>54 STEEL ACOUSTIC LOUVER WITH FLUOROPOLYMER FINISH TO MATCH ALUMINUM COMPOSITE PANEL COLOR</p> <p>55 LABORATORY CASEWORK - SEE ENLARGED PLANS AND ELEVATIONS FOR CONFIGURATION AND DIMENSIONS</p> <p>56 LIGHTWEIGHT CONCRETE TOPPING OVER STRUCTURAL METAL DECK - SLOPE AT 1/4" PER FOOT TO DRAIN AS SHOWN ON ROOF PLAN</p> <p>57 EXPOSED CONCRETE FLOOR SLAB WITH TROWEL FINISH AND CLEAR HARDENER / SEALER</p> <p>58 8" HIGH SURFACE-MOUNTED CAST ALUMINUM LETTERS / NUMBERS</p> <p>59 COMPOSITE DRAINAGE / PROTECTION BOARD WITH INTEGRAL FILTER FABRIC OVER RUBBERIZED ASPHALT WATERPROOFING MEMBRANE - PROVIDE FOUNDATION DRAINS AS SHOWN</p> <p>60 1" DEEP REVEAL IN CONCRETE SURFACE</p> <p>61 5/8" GYPSUM BOARD OVER METAL FRAMING AT 16" ON CENTER</p> <p>62 STRUCTURAL CONCRETE FRAME AND SLAB - SEE STRUCTURAL DRAWINGS FOR DIMENSIONS AND REINFORCING</p> <p>63 EXPOSED STEEL STAIR SYSTEM WITH PAINTED FINISH - FILL STEEL TREAD PANS WITH CONCRETE AND PROVIDE 1 1/2" DIAMETER PIPE HANDRAILS AND GUARDRAILS AT 42" ABOVE FLOOR</p> <p>64 FLOOR FINISH - SEE ROOM FINISH SCHEDULE FOR TYPE</p> | <p>1 REVISIONS DATE</p> <p>2</p> <p>3</p> <p>4</p> <p>5</p> <p>6</p> <p>7</p> <p>8</p> <p>9</p> <p>DRAWN BY: <b>EZ</b></p> <p>CHECKED BY: <b>MWJ</b></p> <p>A &amp; E FILE NO:</p> <p>DATE: <b>6/99</b></p> <p>AGENCY AUTHORIZED AGENT: <b>COMMONWEALTH OF KENTUCKY</b></p> <p>DIVISION OF ENGINEERING: <b>FINANCE AND ADMINISTRATION CABINET</b></p> <p>DEPARTMENT FOR FACILITIES MANAGEMENT: <b>FRANKFORT, KENTUCKY</b></p> <p>APPROVED FOR PROGRAM CONCEPT ONLY</p> <p>DATE:</p> | <p><b>NORTHERN KENTUCKY UNIVERSITY</b></p> <p><b>NATURAL SCIENCE BUILDING</b></p> <p>RECORD DATE:</p> <p>DRAWING NO: <b>A-2.3b</b></p> <p>REVIEWED BY: <b>DNV, OF ENGR.</b></p> <p>ENGR. FILE NO: <b>1-111</b></p> <p>APPROVED FOR PROGRAM CONCEPT ONLY</p> <p>DATE:</p> |
|--|---|--|