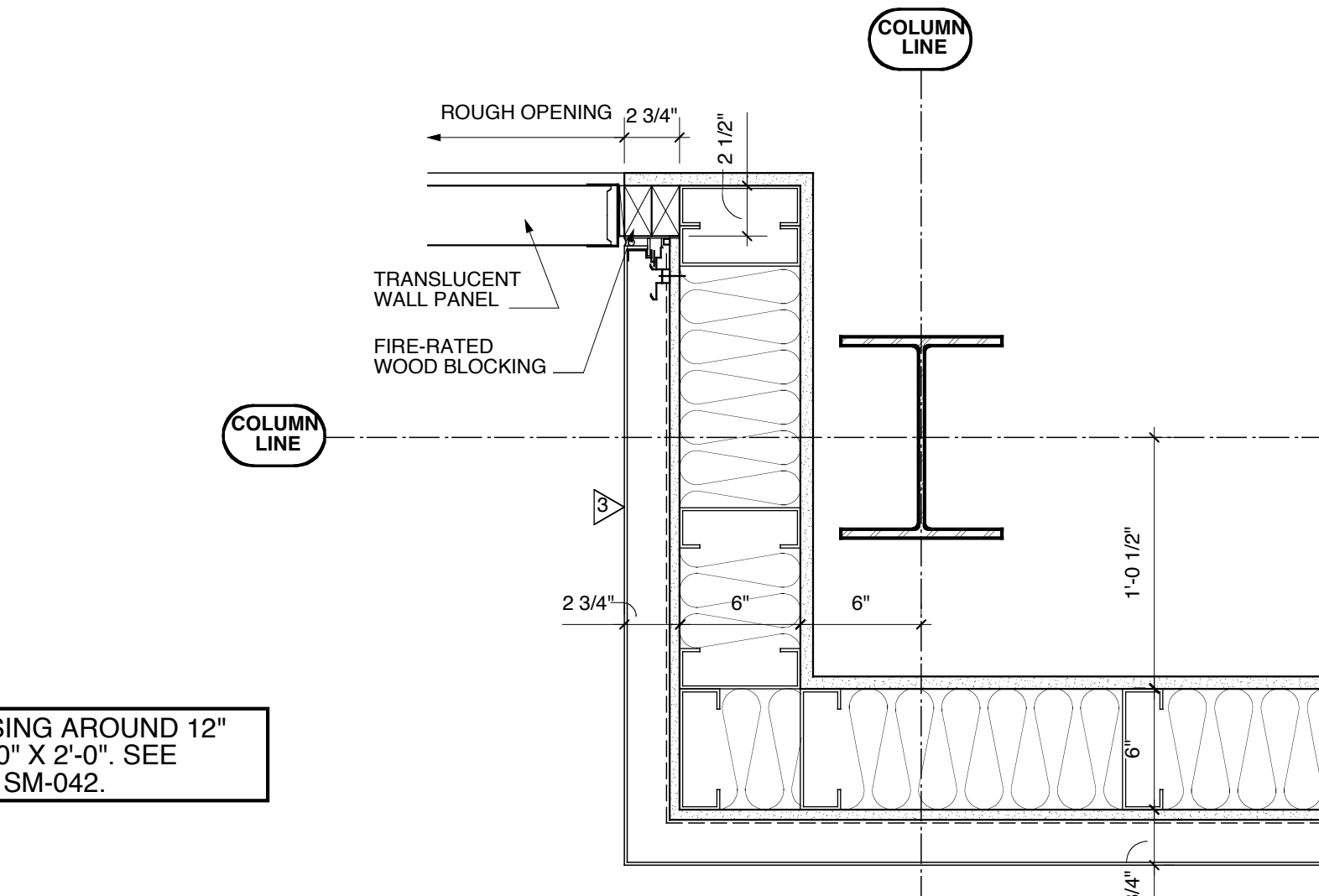
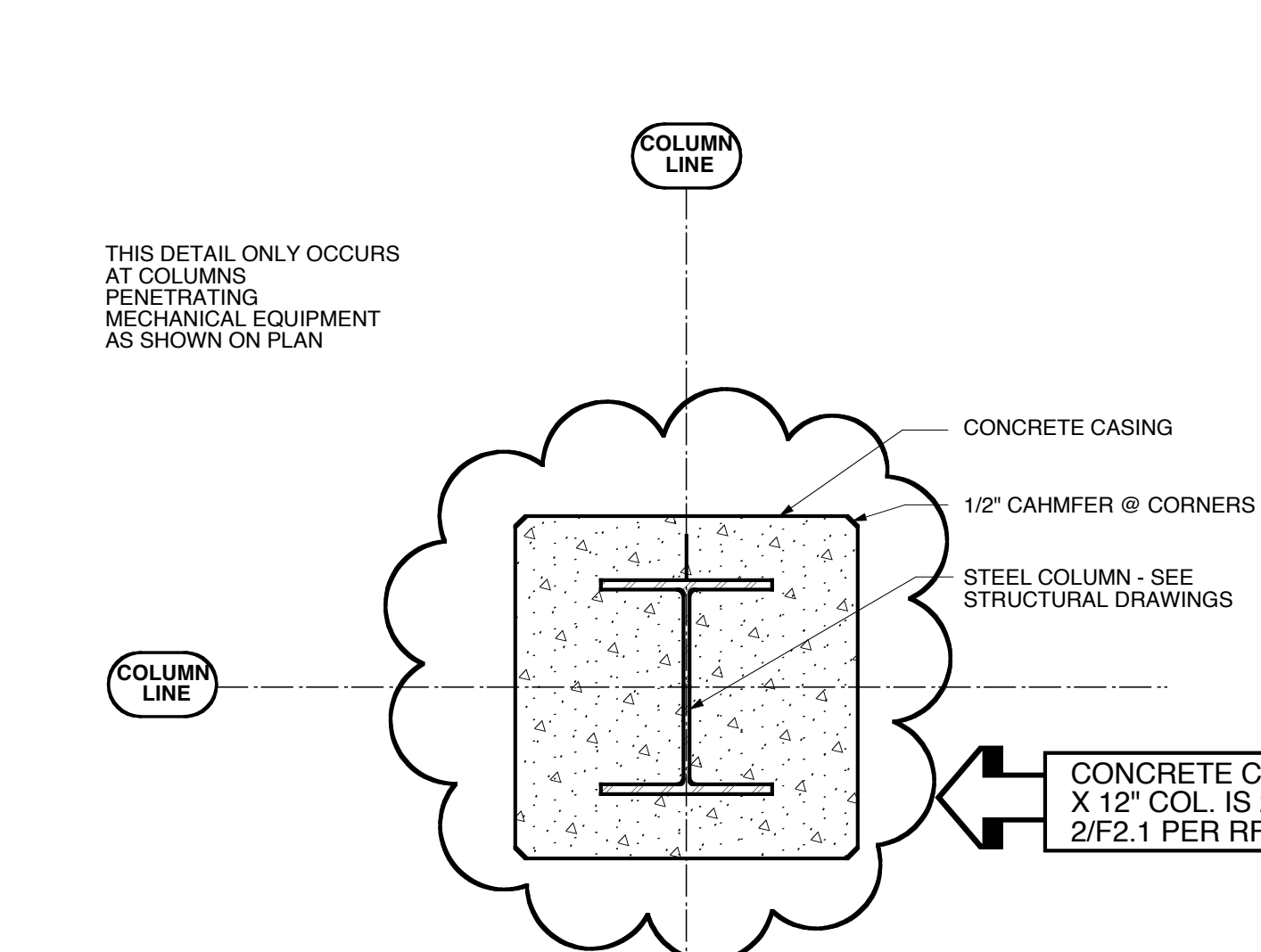
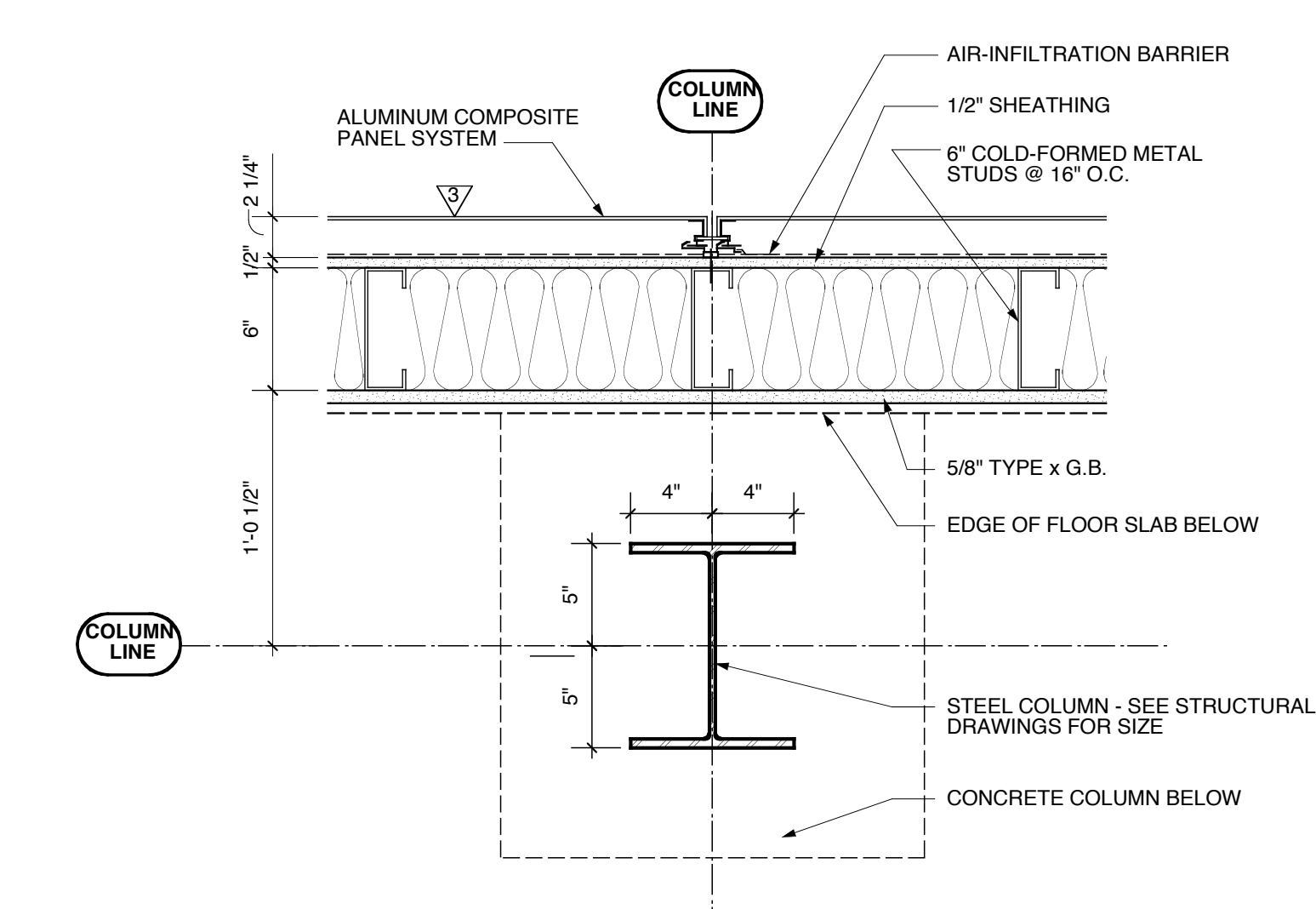


**10 ROOF SECTION @ EXHAUST STACK**  
1/2" = 1'-0"

**11 WALL SECTION @ END WALL OF NORTH PENTHOUSE**  
1/2" = 1'-0"

**12 WALL SECTION @ END WALL OF NORTH PENTHOUSE**  
1/2" = 1'-0"

**10 ROOF SECTION @ EXHAUST STACK**  
1/2" = 1'-0"



**14 PLAN DETAIL @ PENTHOUSE COLUMN / EXTERIOR WALL**  
1/2" = 1'-0"

**15 PLAN EXTERIOR @ PENTHOUSE COLUMN**  
1/2" = 1'-0"

**16 PLAN EXTERIOR @ PENTHOUSE COLUMN**  
1/2" = 1'-0"

- 1 STRUCTURAL CONCRETE FOUNDATION - SEE STRUCTURAL DRAWINGS FOR DIMENSIONS, BEARING POINTS AND REINFORCING
- 2 STRUCTURAL CONCRETE SLAB - SEE STRUCTURAL DRAWINGS FOR DIMENSIONS, REINFORCING, AND ENGINEERED FILL
- 3 EXPOSED CAST-IN-PLACE CONCRETE SURFACE - DO NOT PAINT
- 4 EXPOSED CAST-IN-PLACE CONCRETE SURFACE BEYOND
- 5 EXPOSED CAST-IN-PLACE CONCRETE WEARING SLAB OVER RIGID INSULATION OVER STRUCTURAL CONCRETE SLAB
- 6 LIGHTWEIGHT CONCRETE TOPPING OVER STRUCTURAL CONCRETE SLAB - SLOPE AT 1/4" PER FOOT TO DRAIN AS SHOWN ON ROOF PLAN
- 7 EXPOSED CAST-IN-PLACE CONCRETE WITH ARCHITECTURAL FINISH AND RUSTICATION JOINTS
- 8 CONCRETE REVEAL FOR SURFACE-MOUNTED LIGHT FIXTURE
- 9 CONCRETE MASONRY UNITS WITH HORIZONTAL JOINT REINFORCING AT 15" ON CENTER VERTICALLY - SEE STRUCTURAL DRAWINGS FOR SIZE AND DIMENSIONS
- 10 EXPOSED STEEL STRUCTURE WITH INTUMESCENT PAINTED FINISH - SEE STRUCTURAL DRAWINGS FOR SIZE AND DIMENSIONS
- 11 STEEL STRUCTURE - SEE STRUCTURAL DRAWINGS FOR SIZE AND DIMENSIONS
- 12 EXPOSED STEEL STRUCTURE WITH PAINTED FINISH - SEE STRUCTURAL DRAWINGS FOR SIZE AND DIMENSIONS
- 13 METAL ROOF DECK - SEE STRUCTURAL DRAWINGS FOR DEPTH AND GAUGE
- 14 STEEL EDGE ANGLE - SEE STRUCTURAL DRAWINGS FOR SIZE AND DIMENSIONS
- 15 18 GAUGE COLD-FORMED METAL STUDS AT 16" ON CENTER
- 16 18 GAUGE COLD-FORMED METAL FRAMING AT 16" ON CENTER
- 17 SECURE EACH COLD-FORMED FRAMING MEMBER TO STEEL STRUCTURE WITH SLIP JOINT FOR DEFLECTION
- 18 SLOPED CONCRETE SURFACE
- 19 PROVIDE DOUBLE STUDS AT THIS LOCATION, TYPICAL
- 20 METAL STUDS AT 16" ON CENTER
- 21 METAL FRAMING AT 16" ON CENTER
- 22 EXTERIOR ALUMINUM GUARDRAIL WITH BLACK FLUOROPOLYMER FINISH - 42" HIGH
- 23 METAL HANDRAIL / GUARDRAIL WITH PAINTED FINISH
- 24 HOLLOW METAL DOOR AND FRAME WITH PAINTED FINISH
- 25 FIRE-TREATED WOOD BLOCKING
- 26 SHM AS REQUIRED AT PERIMETER
- 27 SOLID SURFACING WINDOW SILL
- 28 APPROXIMATE FINISH GRADE - SEE SITE DRAWINGS FOR ELEVATION
- 29 AIR INFILTRATION BARRIER WITH TAPED JOINTS OVER 1/2" GLASSMAT FACED EXTERIOR GYPSUM SHEATHINGS ON EXTERIOR FACE OF WALL AND FACE OF WALL - FILL WALL CAVITY WITH BATT INSULATION
- 30 BACKER ROD AND SEALANT IN COMPOSITE ALUMINUM PANEL JOINTS IN THIS LOCATION ONLY
- 31 COMPOSITE ALUMINUM SPANDEEL PANEL WITH FINISH TO MATCH SURROUNDING FRAME
- 32 COMPOSITE ALUMINUM PANEL SYSTEM WITH FLUOROPOLYMER FINISH (COLOR SELECTED BY ARCHITECT WITH CONCEALED FASTENERS, ALUMINUM MOUNTING TRACKS, AND SHIMS AS REQUIRED - EACH PANEL TO HAVE FLASHING AND WEEP - DO NOT CALC ON GASKET JOINTS BETWEEN PANELS)
- 33 COMPOSITE ALUMINUM PANEL SYSTEM BEYOND
- 34 COMPOSITE ALUMINUM PANEL COPING WITH FLUOROPOLYMER FINISH (COLOR SELECTED BY ARCHITECT)
- 35 EXTRUDED ALUMINUM COPING WITH FLUOROPOLYMER FINISH TO MATCH ALUMINUM COMPOSITE PANEL COLOR
- 36 EXTRUDED ALUMINUM FASCIA ROOF EDGE WITH FLUOROPOLYMER FINISH TO MATCH ALUMINUM COMPOSITE PANEL COLOR
- 37 HOT-ASPHALT-APPLIED MULTI-PLY SBS MODIFIED BITUMEN ROOFING SYSTEM OVER POLYISOCYANURATE INSULATION BOARD - INSULATION TO BE APPROVED BY ROOFING MANUFACTURER - PROVIDE PROTECTION BOARD WHERE REQUIRED
- 38 SLOPE RIGID INSULATION BOARD AT 1/4" PER FOOT TO DRAIN AS SHOWN ON ROOF PLAN - R-20 AVERAGE
- 39 UNIFORM THICKNESS RIGID INSULATION BOARD - R-20 MINIMUM
- 40 1/2" GLASSMAT FACED GYPSUM THERMAL BARRIER BOARD
- 41 THERMALLY-BROKEN ALUMINUM STOREFRONT FRAMING SYSTEM WITH BLACK FLUOROPOLYMER FINISH
- 42 TRANSLUCENT COMPOSITE FIBERGLASS PANELS WITH ALUMINUM FRAME WITH FLUOROPOLYMER FINISH TO MATCH ALUMINUM COMPOSITE PANEL COLOR
- 43 THERMALLY-BROKEN ALUMINUM STOREFRONT FRAMING SYSTEM WITH FLUOROPOLYMER FINISH TO MATCH ALUMINUM COMPOSITE PANEL COLOR
- 44 THERMALLY-BROKEN ALUMINUM CURTAINWALL FRAMING SYSTEM WITH FLUOROPOLYMER FINISH TO MATCH ALUMINUM COMPOSITE PANEL COLOR
- 45 THERMALLY-BROKEN ALUMINUM CURTAINWALL FRAMING SYSTEM WITH FLUOROPOLYMER FINISH TO MATCH ALUMINUM COMPOSITE PANEL COLOR
- 46 THERMALLY-BROKEN ALUMINUM CURTAINWALL FRAMING SYSTEM WITH FLUOROPOLYMER FINISH TO MATCH ALUMINUM COMPOSITE PANEL COLOR
- 47 THERMALLY-BROKEN ALUMINUM SKYLIGHT WITH FLUOROPOLYMER FINISH
- 48 1" INSULATING CLEAR GLAZING WITH LOW-EMISSION COATING
- 49 TRANSLUCENT COMPOSITE FIBERGLASS PANELS WITH ALUMINUM FRAME WITH FLUOROPOLYMER FINISH TO MATCH ALUMINUM COMPOSITE PANEL COLOR
- 50 1" INSULATING GREY TINTED GLAZING WITH LOW-EMISSION COATING
- 51 5/8" GYPSUM BOARD OVER VAPOR BARRIER OVER RIGID INSULATION OVER 2" METAL FURRING
- 52 5/8" GYPSUM BOARD - SEE FINISH SCHEDULE FOR FINISHES AND WALL TYPE SCHEDULE FOR RATED MATERIALS
- 53 5/8" GYPSUM BOARD BEYOND
- 54 EXPOSED CONCRETE FLOOR SLAB WITH TROWEL FINISH AND CLEAR HARDENER / SEALER
- 55 WALL BASE - SEE SCHEDULE FOR TYPE
- 56 STEEL ACOUSTIC LOUVER WITH FLUOROPOLYMER FINISH TO MATCH ALUMINUM COMPOSITE PANEL COLOR
- 57 LABORATORY CASEWORK - SEE ENLARGED PLANS AND ELEVATIONS FOR CONFIGURATION AND DIMENSIONS
- 58 LIGHTWEIGHT CONCRETE TOPPING OVER STRUCTURAL METAL DECK - SLOPE AT 1/4" PER FOOT TO DRAIN AS SHOWN ON ROOF PLAN
- 59 EXPOSED CONCRETE FLOOR SLAB WITH TROWEL FINISH AND CLEAR HARDENER / SEALER
- 60 8" HIGH SURFACE-MOUNTED CAST ALUMINUM LETTERS / NUMBERS
- 61 COMPOSITE DRAINAGE / PROTECTION BOARD WITH INTEGRAL FILTER FABRIC OVER RUBBERIZED ASPHALT WATERPROOFING MEMBRANE - PROVIDE FOUNDATION DRAINS AS SHOWN
- 62 1" DEEP REVEAL IN CONCRETE SURFACE
- 63 5/8" GYPSUM BOARD OVER METAL FRAMING AT 16" ON CENTER
- 64 STRUCTURAL CONCRETE FRAME AND SLAB - SEE STRUCTURAL DRAWINGS FOR DIMENSIONS AND REINFORCING
- 65 EXPOSED STEEL STAIR SYSTEM WITH PAINTED FINISH - FILL STEEL TREAD PANS WITH CONCRETE AND PROVIDE 1 1/2" DIAMETER PIPE HANDRAILS AND GUARDRAILS AT 42" ABOVE FLOOR
- 66 FLOOR FINISH - SEE ROOM FINISH SCHEDULE FOR TYPE

**RECORD DOCUMENTS**  
These Record Documents have been prepared based on information provided by others. The Consultant has not verified the accuracy and/or completeness of this information and shall not be responsible for any errors or omissions that may be incorporated as a result of erroneous information provided by others.

**Omni** ARCHITECTS  
12/10/22  
DATE

**PENTHOUSE SECTIONS, DETAILS**  
**A-4.10**

REVISIONS	DATE	NORTHERN KENTUCKY UNIVERSITY NATURAL SCIENCE BUILDING	
1		RECORD DATE	DRAWING NO.
2			
3			
4			
5			
6			
7			
8			
9			

DRAWN BY <b>JB, VMP</b>	COMMONWEALTH OF KENTUCKY FINANCE AND ADMINISTRATION CABINET	<b>A-4.10</b>
CHECKED BY <b>MWJ</b>	DEPARTMENT FOR FACILITIES MANAGEMENT FRANKFORT, KENTUCKY	
DATE <b>6/99</b>	APPROVED FOR PROGRAM CONCEPT ONLY	REVIEWED DIV. OF ENGR.
AGENCY AUTHORIZED AGENT	APPROVED FOR PROGRAM CONCEPT ONLY	ENGR. FILE NO. <b>I-111</b>