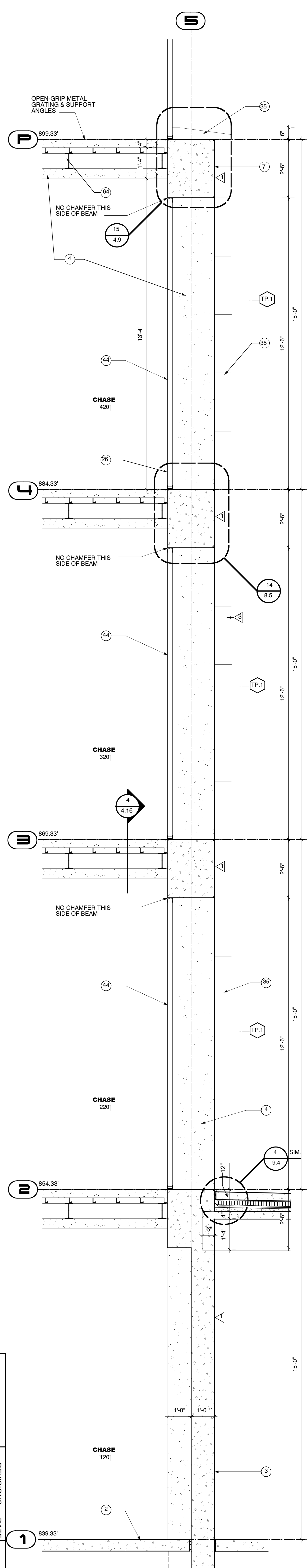
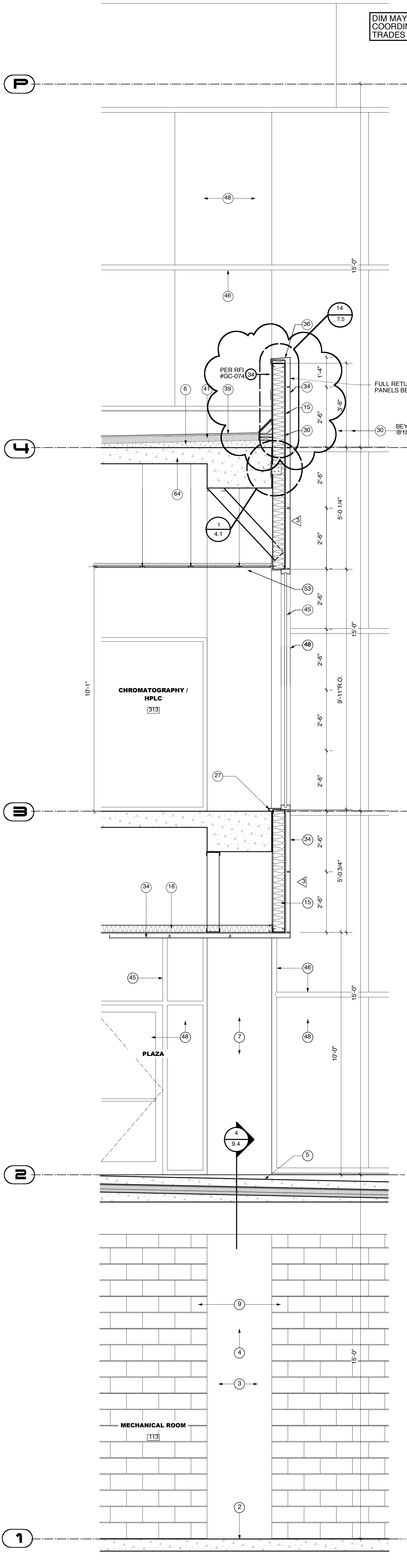


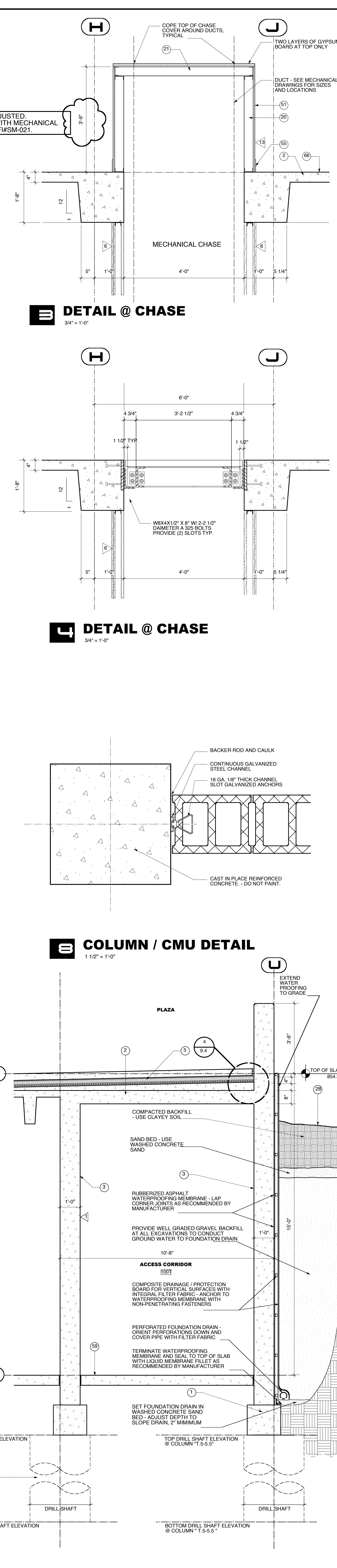
- 1 STRUCTURAL CONCRETE FOUNDATION - SEE STRUCTURAL DRAWINGS FOR DIMENSIONS, BEARING POINTS AND REINFORCING
- 2 STRUCTURAL CONCRETE SLAB - SEE STRUCTURAL DRAWINGS FOR DIMENSIONS, REINFORCING AND ENGINEERED FILL
- 3 EXPOSED CAST-IN-PLACE CONCRETE SURFACE - DO NOT PAINT
- 4 EXPOSED CAST-IN-PLACE CONCRETE SURFACE BEYOND
- 5 EXPOSED CAST-IN-PLACE CONCRETE WEARING SLAB OVER RIGID INSULATION OVER MEMBRANE FLASHING OVER STRUCTURAL CONCRETE SLAB
- 6 LIGHTWEIGHT CONCRETE TYPING OVER STRUCTURAL CONCRETE SLAB - SEE R-30 PER FOOT TO DRAIN AS SHOWN ON ROOF PLAN
- 7 EXPOSED CAST-IN-PLACE CONCRETE WITH ARCHITECTURAL FINISH AND RUSTICATION JOINTS
- 8 CONCRETE REVEAL FOR SURFACE-MOUNTED LIGHT FIXTURE
- 9 CONCRETE MASONRY UNITS WITH HORIZONTAL JOINT REINFORCING AT 16" ON CENTER VERTICALLY - SEE FINISH SCHEDULE FOR FINISH
- 10 EXPOSED STEEL STRUCTURE WITH INTUMESCENT PAINTED FINISH - SEE STRUCTURAL DRAWINGS FOR SIZE AND DIMENSIONS
- 11 STEEL STRUCTURE - SEE STRUCTURAL DRAWINGS FOR SIZE AND DIMENSIONS
- 12 EXPOSED STEEL STRUCTURE WITH PAINTED FINISH - SEE STRUCTURAL DRAWINGS FOR SIZE AND DIMENSIONS
- 13 METAL ROOF DECK - SEE STRUCTURAL DRAWINGS FOR DEPTH AND GAUGE
- 14 STEEL EDGE ANGLE - SEE STRUCTURAL DRAWINGS FOR SIZE AND DIMENSIONS
- 15 16 GAUGE COLD-FORMED METAL STUDS AT 16" ON CENTER
- 16 16 GAUGE COLD-FORMED METAL FRAMING AT 16" ON CENTER
- 17 SECURE EACH COLD-FORMED FRAMING MEMBER TO STEEL STRUCTURE WITH SLIP JOINT FOR DEFLECTION
- 18 SLOPED CONCRETE SURFACE
- 19 PROVIDE DOUBLE STUDS AT THIS LOCATION, TYPICAL
- 20 METAL STUDS AT 16" ON CENTER
- 21 METAL FRAMING AT 16" ON CENTER
- 22 EXTERIOR ALUMINUM GUARDRAIL WITH BLACK FLUOROPOLYMER FINISH - 42" HIGH
- 23 METAL HANDRAIL / GUARDRAIL WITH PAINTED FINISH
- 24 HOLLOW METAL DOOR AND FRAME WITH PAINTED FINISH
- 25 FIRE-TREATED WOOD BLOCKING
- 26 SHM AS REQUIRED AT PERIMETER
- 27 SOLID SURFACING WINDOW
- 28 APPROXIMATE FINISH GRADE - SEE SITE DRAWINGS FOR ELEVATION
- 29 AIR INFILTRATION BARRIER WITH TAPED JOINTS OVER 1/2" GLASSMATT FACED EXTERIOR GYPSUM OR SHEATHING ON EXTERIOR FACE OF WALL AND 5 MIL VAPOR BARRIER ON INTERIOR FACE OF WALL - FILL WALL CAVITY WITH BATT INSULATION
- 30 BACKER ROD AND SEALANT
- 31 BACKER ROD AND SEALANT IN COMPOSITE ALUMINUM PANEL JOINTS IN THIS LOCATION ONLY
- 32 COMPOSITE ALUMINUM SPANDREL PANEL WITH FINISH TO MATCH SURROUNDING FRAME
- 33 COMPOSITE ALUMINUM PANEL SYSTEM WITH FLUOROPOLYMER FINISH (COLOR SELECTED BY ARCHITECT) WITH CONCEALED FASTENERS, ALUMINUM MOUNTING TRACKS, AND SHIMS AS REQUIRED - EACH PANEL TO HAVE FLASHING AND WEEP HOLES - DO NOT CALL OR GASKET JOINTS BETWEEN PANELS
- 34 COMPOSITE ALUMINUM PANEL SYSTEM BEYOND
- 35 COMPOSITE ALUMINUM PANEL CORNING WITH FLUOROPOLYMER FINISH TO MATCH ALUMINUM COMPOSITE PANEL COLOR
- 36 EXTRUDED ALUMINUM CORNING WITH FLUOROPOLYMER FINISH TO MATCH ALUMINUM COMPOSITE PANEL COLOR
- 37 EXTRUDED ALUMINUM FASCIA ROOF EDGE WITH FLUOROPOLYMER FINISH TO MATCH ALUMINUM COMPOSITE PANEL COLOR
- 38 HOT-ASPHALT-APPLIED MULTI-PLY SBS MODIFIED BITUMEN ROOFING SYSTEM OVER POLYISOCYANURATE INSULATION BOARD - INSULATION TO BE APPROVED BY ROOFING MANUFACTURER - PROVIDE PROTECTION BOARD WHERE REQUIRED BY ROOFING MANUFACTURER
- 39 SLOPE RIGID INSULATION BOARD AT 1/4" PER FOOT TO DRAIN AS SHOWN ON ROOF PLAN - R-30 AVERAGE
- 40 UNIFORM THICKNESS RIGID INSULATION BOARD - R-30 MINIMUM
- 41 1/2" GLASSMATT FACED GYPSUM THERMAL BARRIER BOARD
- 42 THERMALLY-BROKEN ALUMINUM STOREFRONT FRAMING SYSTEM WITH BLACK FLUOROPOLYMER FINISH
- 43 TRANSLUCENT COMPOSITE FIBERGLASS PANELS WITH ALUMINUM FRAME WITH FLUOROPOLYMER FINISH TO MATCH ALUMINUM COMPOSITE PANEL COLOR
- 44 THERMALLY-BROKEN ALUMINUM STOREFRONT FRAMING SYSTEM WITH FLUOROPOLYMER FINISH TO MATCH ALUMINUM COMPOSITE PANEL COLOR
- 45 THERMALLY-BROKEN ALUMINUM CURTAINWALL FRAMING SYSTEM WITH FLUOROPOLYMER FINISH TO MATCH ALUMINUM COMPOSITE PANEL COLOR
- 46 THERMALLY-BROKEN ALUMINUM SKYLIGHT WITH FLUOROPOLYMER FINISH
- 47 1" INSULATING CLEAR GLAZING WITH LOW-EMISSION COATING
- 48 1" INSULATING GREY TINTED GLAZING WITH LOW-EMISSION COATING
- 49 5/8" GYPSUM BOARD OVER VAPOR BARRIER OVER RIGID INSULATION OVER 2" METAL FURRING
- 50 5/8" GYPSUM BOARD - SEE FINISH SCHEDULE FOR FINISHES AND WALL TYPE SCHEDULE FOR RATED MATERIALS
- 51 5/8" GYPSUM BOARD BEYOND
- 52 SUSPENDED ACOUSTIC CEILING SYSTEM WITH 2'x2' PANELS - SEE FINISH SCHEDULE FOR PANEL TYPES
- 53 3/16" TAPERED RESILIENT BASE - SEE SCHEDULE FOR TYPE
- 54 WALL BASE - SEE SCHEDULE FOR TYPE
- 55 STEEL ACOUSTIC LOUVER WITH FLUOROPOLYMER FINISH TO MATCH ALUMINUM COMPOSITE PANEL COLOR
- 56 LABORATORY CASEWORK - SEE ENLARGED PLANS AND ELEVATIONS FOR CONFIGURATION AND DIMENSIONS
- 57 LIGHTWEIGHT CONCRETE TYPING OVER STRUCTURAL METAL DECK - SEE R-30 PER FOOT TO DRAIN AS SHOWN ON ROOF PLAN
- 58 EXPOSED CONCRETE FLOOR SLAB WITH FINISH AND CLEAR HARDENER / SEALER
- 59 8" HIGH SURFACE-MOUNTED CAST ALUMINUM LETTERS / NUMBERS
- 60 COMPOSITE DRAINAGE / PROTECTION BOARD WITH INTEGRAL FILTER FABRIC OVER RUBBERIZED ASPHALT WATERPROOFING MEMBRANE - PROVIDE FOUNDATION DRAINS AS SHOWN
- 61 1" DEEP REVEAL IN CONCRETE SURFACE
- 62 5/8" GYPSUM BOARD OVER METAL FRAMING AT 16" ON CENTER
- 63 STRUCTURAL CONCRETE FRAME AND REINFORCING FOR DIMENSIONS AND REINFORCING
- 64 EXPOSED STEEL STAIR SYSTEM WITH PAINTED FINISH - FULL STEEL TREAD PLANS WITH CONCRETE AND PROVIDE 1/2" DIAMETER PIPE HANDRAILS AND GUARDRAILS AT 42" ABOVE FLOOR
- 65 FLOOR FINISH - SEE ROOM FINISH SCHEDULE FOR TYPE



1 SECTION @ CHASE
1/2" = 1'-0"



10 SECTION @ CHROMATOGRAPHY LAB
1/2" = 1'-0"



5 SECTION @ ACCESS CORRIDOR
1/2" = 1'-0"

RECORD DOCUMENTS This document is the property of Northern Kentucky University. It is loaned to you for your use only. It is not to be reproduced, distributed, or otherwise used without the written permission of Northern Kentucky University.	
REVISIONS	DATE
1	
2	
3	
4	
5	
6	
7	
8	
9	
10	
11	
12	
13	
14	
15	
16	
17	
18	
19	
20	
21	
22	
23	
24	
25	
26	
27	
28	
29	
30	
31	
32	
33	
34	
35	
36	
37	
38	
39	
40	
41	
42	
43	
44	
45	
46	
47	
48	
49	
50	
51	
52	
53	
54	
55	
56	
57	
58	
59	
60	
61	
62	
63	
64	
65	
66	
67	
68	
69	
70	
71	
72	
73	
74	
75	
76	
77	
78	
79	
80	
81	
82	
83	
84	
85	
86	
87	
88	
89	
90	
91	
92	
93	
94	
95	
96	
97	
98	
99	
100	

A-4.16
WALL SECTIONS

NORTHERN KENTUCKY UNIVERSITY
NATURAL SCIENCE BUILDING

DRAWN BY: **JB**
 CHECKED BY: **MM**
 DATE: **12/1/02**
 APPROVED FOR PROGRAM CONCEPT ONLY