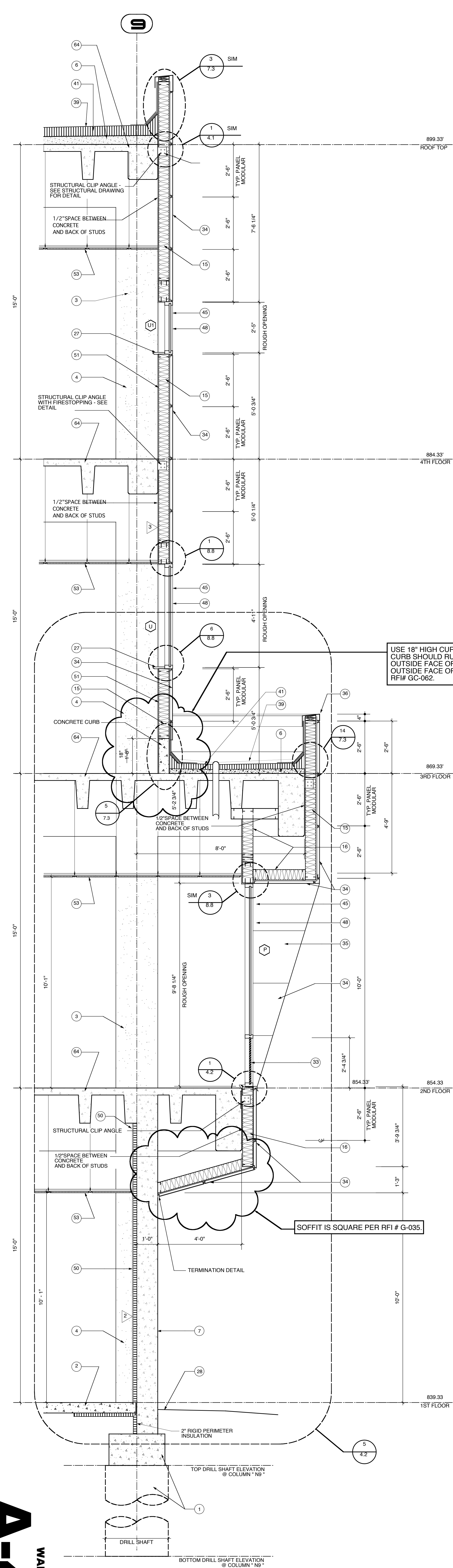
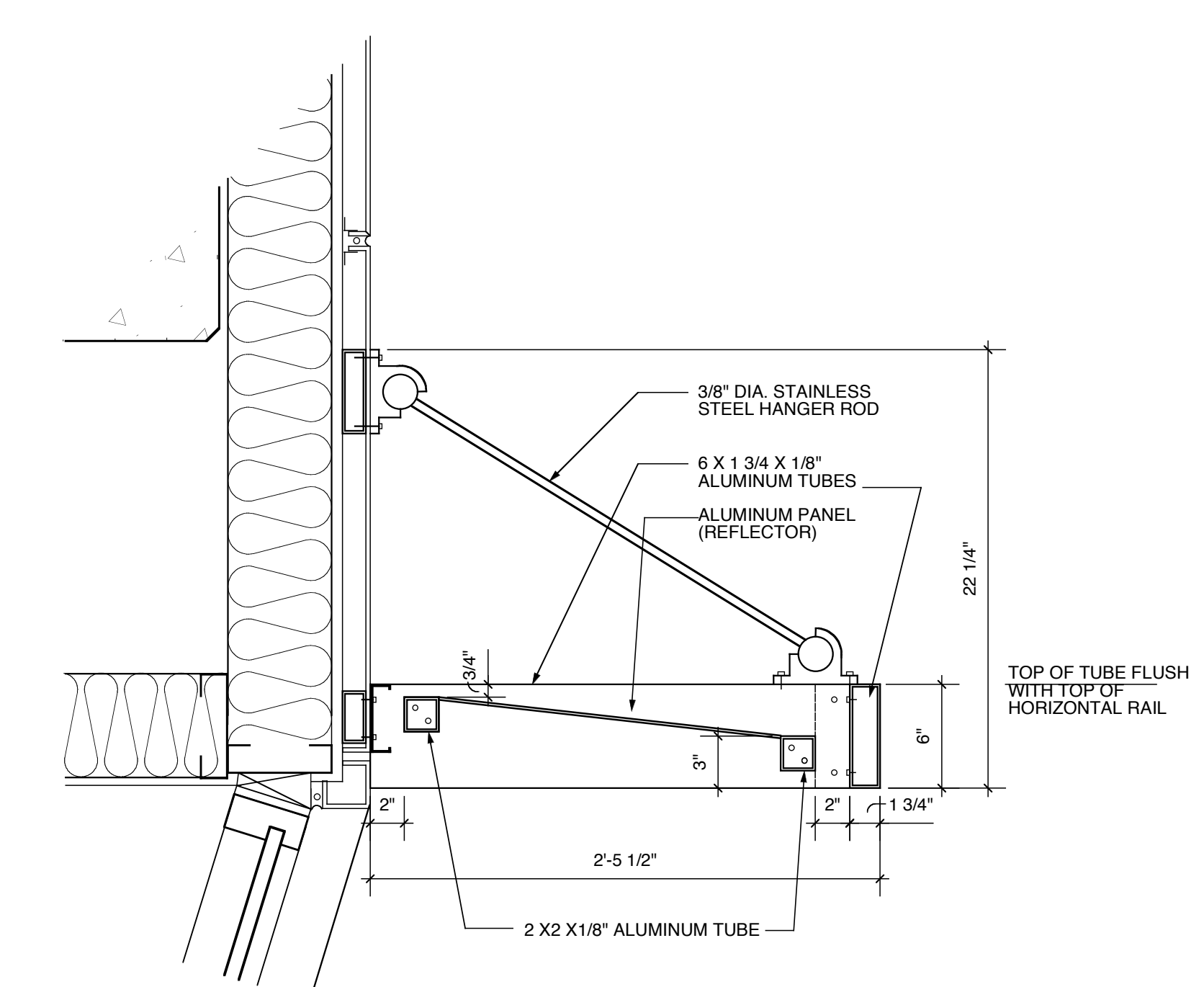


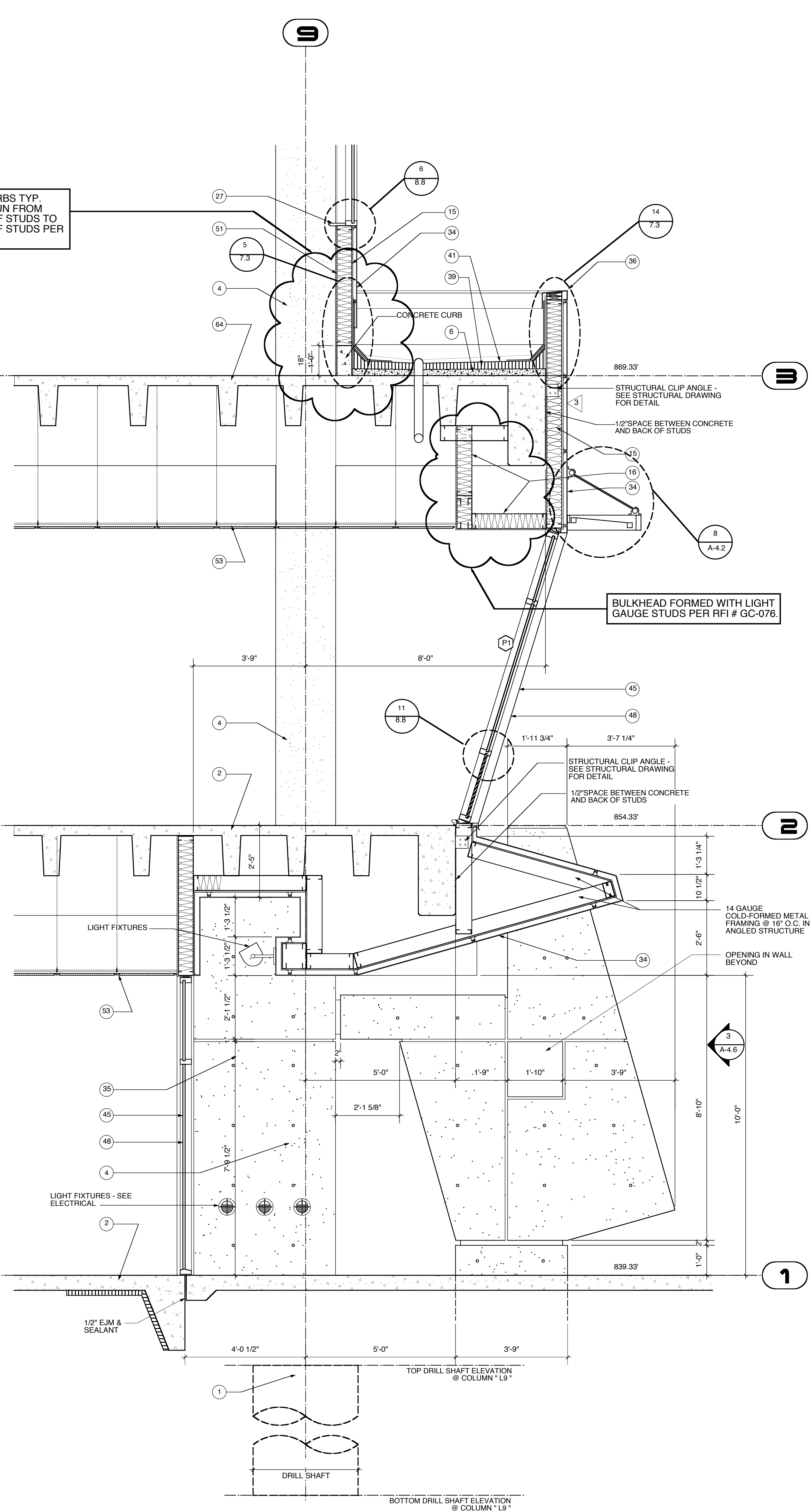
- 1 STRUCTURAL CONCRETE FOUNDATION - SEE STRUCTURAL DRAWINGS FOR DIMENSIONS, BEARING POINTS AND REINFORCING
- 2 STRUCTURAL CONCRETE SLAB - SEE STRUCTURAL DRAWINGS FOR DIMENSIONS, REINFORCING, AND ENGINEERED FILL
- 3 EXPOSED CAST-IN-PLACE CONCRETE SURFACE - DO NOT PAINT
- 4 EXPOSED CAST-IN-PLACE CONCRETE SURFACE BEYOND
- 5 EXPOSED CAST-IN-PLACE CONCRETE WEARING SLAB OVER RIGID INSULATION OVER MEMBRANE FLASHING OVER STRUCTURAL CONCRETE SLAB
- 6 LIGHTWEIGHT CONCRETE TOPPING OVER STRUCTURAL CONCRETE SLAB - AT 14" PER FOOT TO DRAIN AS SHOWN ON ROOF PLAN
- 7 EXPOSED CAST-IN-PLACE CONCRETE WITH ARCHITECTURAL FINISH AND RUSTICATION JOINTS
- 8 CONCRETE REVEAL FOR SURFACE-MOUNTED LIGHT FIXTURE
- 9 CONCRETE MASONRY UNITS WITH HORIZONTAL JOINTS FINISHING AT 16" ON CENTER VERTICALLY - SEE FINISH SCHEDULE FOR FINISH
- 10 EXPOSED STEEL STRUCTURE WITH INTUMESCENT PAINTED FINISH - SEE STRUCTURAL DRAWINGS FOR SIZE AND DIMENSIONS
- 11 STEEL STRUCTURE - SEE STRUCTURAL DRAWINGS FOR SIZE AND DIMENSIONS
- 12 EXPOSED STEEL STRUCTURE WITH PAINTED FINISH - SEE STRUCTURAL DRAWINGS FOR SIZE AND DIMENSIONS
- 13 METAL ROOF DECK - SEE STRUCTURAL DRAWINGS FOR DEPTH AND DIMENSIONS
- 14 STEEL EDGE ANGLE - SEE STRUCTURAL DRAWINGS FOR SIZE AND DIMENSIONS
- 15 18 GAUGE COLD-FORMED METAL STUDS AT 16" ON CENTER
- 16 18 GAUGE COLD-FORMED METAL FRAMING AT 16" ON CENTER
- 17 SECURE EACH COLD-FORMED FRAMING MEMBER TO STEEL STRUCTURE WITH CLIP JOINT FOR DEFLECTION
- 18 SLOPED CONCRETE SURFACE
- 19 PROVIDE DOUBLE STUDS AT THIS LOCATION, TYPICAL
- 20 METAL STUDS AT 16" ON CENTER
- 21 METAL FRAMING AT 16" ON CENTER
- 22 EXTERIOR ALUMINUM GUARDRAIL WITH BLACK FLUOROPOLYMER FINISH - 42" HIGH
- 23 METAL HANDRAIL / GUARDRAIL WITH PAINTED FINISH
- 24 HOLLOW METAL DOOR AND FRAME WITH PAINTED FINISH
- 25 FIRE-TREATED WOOD BLOCKING
- 26 SHIM AS REQUIRED AT PERIMETER
- 27 SOLID SURFACING WINDOW
- 28 APPROXIMATE FINISH GRADE - SEE SITE DRAWINGS FOR ELEVATION
- 29 AIR W/ TRACTION RUBBER WITH TAPED JOINTS OVER 1/2" GLASSMAT-FACED EXTERIOR GYPSUM SHEATHING ON EXTERIOR FACE OF WALL AND 6 MIL W/ PAPER ON INTERIOR FACE OF WALL - FILL WALL CAVITY WITH BATT INSULATION
- 30 BACKER ROD AND SEALANT
- 31 BACKER ROD AND SEALANT IN COMPOSITE ALUMINUM PANEL JOINTS IN THIS LOCATION ONLY
- 32 COMPOSITE ALUMINUM SPANDREL PANEL WITH FINISH TO MATCH SURROUNDING FRAME
- 33 COMPOSITE ALUMINUM PANEL SYSTEM WITH FLUOROPOLYMER FINISH (COLOR SELECTED BY ARCHITECT) WITH CONCEALED FASTENERS, ALUMINUM MOUNTING TRACKS, AND SHIMS AS REQUIRED - EACH PANEL TO HAVE FLASHING AND WEEP HOLES - DO NOT CAULK OR GASKET JOINTS BETWEEN PANELS
- 34 COMPOSITE ALUMINUM PANEL SYSTEM BEYOND
- 35 COMPOSITE ALUMINUM PANEL COPING WITH FLUOROPOLYMER FINISH TO MATCH ALUMINUM COMPOSITE PANEL COLOR
- 36 EXTRUDED ALUMINUM COPING WITH FLUOROPOLYMER FINISH TO MATCH ALUMINUM COMPOSITE PANEL COLOR
- 37 EXTRUDED ALUMINUM FASCIA/ROOF EDGE WITH FLUOROPOLYMER FINISH TO MATCH ALUMINUM COMPOSITE PANEL COLOR
- 38 HOT ASPHALT-APPLIED MULTI-PLY SBS MODIFIED BITUMEN ROOFING SYSTEM OVER POLYISO CYANURATE INSULATION BOARD - INSULATION TO BE APPROVED BY ROOFING MANUFACTURER - PROVIDE PROTECTION BOARD WHERE REQUIRED BY ROOFING MANUFACTURER
- 39 SLOPE RIGID INSULATION BOARD AT 14" PER FOOT TO DRAIN AS SHOWN ON ROOF PLAN - R-20 AVERAGE
- 40 UNIFORM THICKNESS RIGID INSULATION BOARD - R-20 MINIMUM
- 41 1/2" GLASSMAT-FACED GYPSUM THERMAL BARRIER BOARD
- 42 THERMALLY-BROKEN ALUMINUM STOREFRONT FRAMING SYSTEM WITH BLACK FLUOROPOLYMER FINISH
- 43 THERMALLY-BROKEN ALUMINUM STOREFRONT FRAMING SYSTEM WITH ALUMINUM COMPOSITE PANEL COLOR
- 44 THERMALLY-BROKEN ALUMINUM STOREFRONT FRAMING SYSTEM WITH FLUOROPOLYMER FINISH TO MATCH ALUMINUM COMPOSITE PANEL COLOR
- 45 THERMALLY-BROKEN ALUMINUM CURTAIN WALL FRAMING SYSTEM WITH FLUOROPOLYMER FINISH TO MATCH ALUMINUM COMPOSITE PANEL COLOR
- 46 THERMALLY-BROKEN ALUMINUM SKYLIGHT WITH FLUOROPOLYMER FINISH
- 47 1" INSULATING CLEAR GLAZING WITH LOW-EMISSION COATING
- 48 1" INSULATING OPAQUE TINTED GLAZING WITH LOW-EMISSION COATING
- 49 5/8" GYPSUM BOARD OVER VAPOR BARRIER OVER RIGID INSULATION OVER 2" METAL FURRING
- 50 5/8" GYPSUM BOARD - SEE FINISH SCHEDULE FOR FINISHES AND WALL TYPE SCHEDULE FOR RATED MATERIALS
- 51 5/8" GYPSUM BOARD BEYOND
- 52 SUSPENDED ACOUSTIC CEILING SYSTEM WITH 2'x2' PANELS - SEE FINISH SCHEDULE FOR PANEL TYPES
- 53 3/4" TAPERED RESILIENT BASE - SEE SCHEDULE FOR TYPE
- 54 WALL BASE - SEE SCHEDULE FOR TYPE
- 55 STEEL ACOUSTIC LOUVER WITH FLUOROPOLYMER FINISH TO MATCH ALUMINUM COMPOSITE PANEL COLOR
- 56 LABORATORY CABINETS - SEE ENLARGED PLANS AND ELEVATIONS FOR CONFIGURATION AND DIMENSIONS
- 57 LIGHTWEIGHT CONCRETE TOPPING OVER STRUCTURAL METAL DECK - AT 14" PER FOOT TO DRAIN AS SHOWN ON ROOF PLAN
- 58 EXPOSED CONCRETE FLOOR SLAB WITH TROWEL FINISH AND CLEAR HARDENER / SEALER
- 59 8" HIGH SURFACE-MOUNTED CAST ALUMINUM LETTERS / NUMBERS
- 60 COMPOSITE DRAINAGE / PROTECTION BOARD WITH INTEGRAL FILTER FABRIC OVER RUBBERIZED ASPHALT WATERPROOFING MEMBRANE - PROVIDE FOUNDATION DRAINS AS SHOWN
- 61 1" DEEP REVEAL IN CONCRETE SURFACE
- 62 5/8" GYPSUM BOARD OVER METAL FRAMING AT 16" ON CENTER
- 63 STRUCTURAL CONCRETE FRAME AND SLAB - SEE STRUCTURAL DRAWINGS FOR DIMENSIONS AND REINFORCING
- 64 EXPOSED STEEL STAIR SYSTEM WITH PAINTED FINISH, ALL STEEL TREADS WITH CONCRETE AND PROVIDE 1 1/2" DIAMETER PIPE HANDRAILS AND GUARDRAILS AT 42" ABOVE FLOOR
- 65 FLOOR FINISH - SEE ROOM FINISH SCHEDULE FOR TYPE



EXTERIOR WALL SECTION @ SOUTH ELEVATION
 BETWEEN COLUMN "M" AND "N"
 1/2" = 1'-0"



DETAIL @ SUNSCREEN
 1 1/2" = 1'-0"



EXTERIOR WALL SECTION @ SOUTH ELEVATION
 BETWEEN COLUMN "K" AND "J"
 1/2" = 1'-0"

RECORD DOCUMENTS

These Record Documents have been prepared based on information provided by others. The Consultant has not verified the accuracy or completeness of the information and shall not be responsible for errors or omissions in the information provided by others.

DATE: 12/1/02

DATE: 1-11-11

REVISIONS

NO.	DATE	DESCRIPTION
1		
2		
3		
4		
5		
6		
7		
8		
9		

APPROVED FOR PROCEED WITH CONSTRUCTION

DATE: _____

A-4.2
 WALL SECTIONS

NORTHERN KENTUCKY UNIVERSITY
NATURAL SCIENCE BUILDING

CONSULTANT OF RECORD
omni architects
 1111 11th St
 Louisville, KY 40202
 (502) 582-1111

DATE: 1-11-11