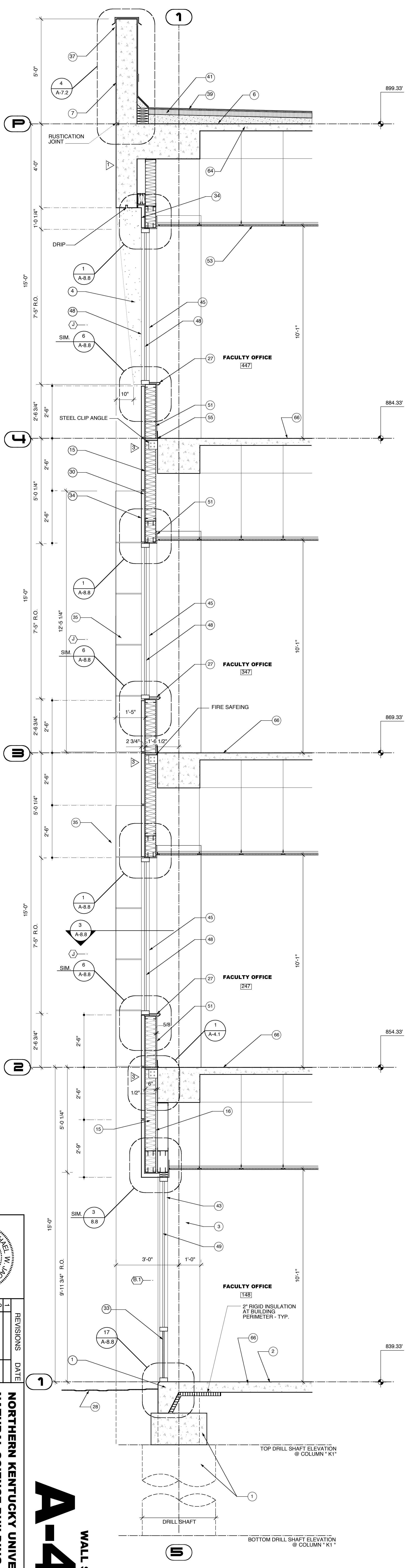
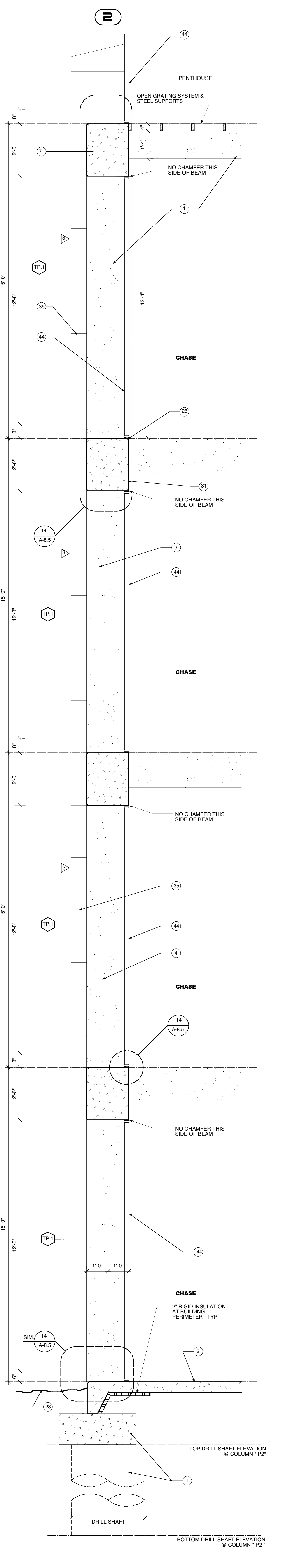


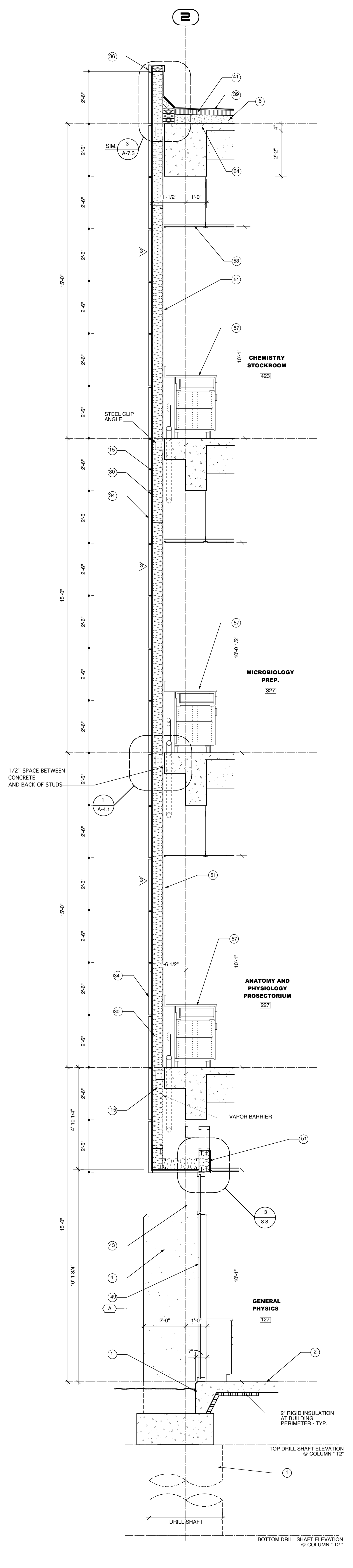
- 1 STRUCTURAL CONCRETE FOUNDATION - SEE STRUCTURAL DRAWINGS FOR DIMENSIONS, BEARING POINTS AND REINFORCING
- 2 STRUCTURAL CONCRETE SLAB - SEE STRUCTURAL DRAWINGS FOR DIMENSIONS, REINFORCING, AND ENGINEERED FINISH
- 3 EXPOSED CAST-IN-PLACE CONCRETE SURFACE - DO NOT PAINT
- 4 EXPOSED CAST-IN-PLACE CONCRETE SURFACE BEYOND
- 5 EXPOSED CAST-IN-PLACE CONCRETE WEARING SLAB OVER RIGID INSULATION OVER MEMBRANE FLASHING OVER STRUCTURAL CONCRETE SLAB
- 6 LIGHTWEIGHT CONCRETE TOPPING OVER STRUCTURAL CONCRETE SLAB - SLOPE AT 1/4" PER FOOT TO DRAIN AS SHOWN ON ROOF PLAN
- 7 EXPOSED CAST-IN-PLACE CONCRETE WITH ARCHITECTURAL FINISH AND RUSTICATION JOINTS
- 8 CONCRETE REVEAL FOR SURFACE MOUNTED LIGHT FIXTURE
- 9 CONCRETE MASONRY UNITS WITH HORIZONTAL JOINT REINFORCING AT 16" ON CENTER VERTICALLY - SEE FINISH SCHEDULE FOR FINISH
- 10 EXPOSED STEEL STRUCTURE WITH INTUMESCENT PAINTED FINISH - SEE STRUCTURAL DRAWINGS FOR SIZE AND DIMENSIONS
- 11 STEEL STRUCTURE - SEE STRUCTURAL DRAWINGS FOR SIZE AND DIMENSIONS
- 12 EXPOSED STEEL STRUCTURE WITH PAINTED FINISH - SEE STRUCTURAL DRAWINGS FOR SIZE AND DIMENSIONS
- 13 METAL ROOF DECK - SEE STRUCTURAL DRAWINGS FOR DEPTH AND GAUGE
- 14 STEEL EDGE ANGLE - SEE STRUCTURAL DRAWINGS FOR SIZE AND DIMENSIONS
- 15 18 GAUGE COLD-FORMED METAL STUDS AT 16" ON CENTER
- 16 18 GAUGE COLD-FORMED METAL FRAMING AT 16" ON CENTER
- 17 SECURE EACH COLD-FORMED FRAMING MEMBER TO STEEL STRUCTURE WITH SLIP JOINT FOR DEFLECTION
- 18 SLOPED CONCRETE SURFACE
- 19 PROVIDE DOUBLE STUDS AT THIS LOCATION, TYPICAL
- 20 METAL STUDS AT 16" ON CENTER
- 21 METAL FRAMING AT 16" ON CENTER
- 22 EXTERIOR ALUMINUM GUARDRAIL WITH BLACK FLUOROPOLYMER FINISH - 42" HIGH
- 23 METAL HANDRAIL / GUARDRAIL WITH PAINTED FINISH
- 24 HOLLOW METAL DOOR AND FRAME WITH FIRE-TREATED WOOD BLOCKING
- 25 SHIM AS REQUIRED AT PERIMETER
- 26 SOLID SURFACING WINDOW
- 27 APPROXIMATE FINISH GRADE - SEE SITE DRAWINGS FOR ELEVATION
- 28 AIR INFILTRATION BARRIER WITH TAPED JOINTS OVER 1/2" GLASSMATT FACED EXTERIOR GYPSUM INSULATION ON EXTERIOR FACE OF WALL AND 6 MIL VAPOR BARRIER ON INTERIOR OF WALL - FILL WALL CAVITY WITH BATT INSULATION
- 29 BACKER ROD AND SEALANT IN COMPOSITE ALUMINUM PANEL JOINTS IN THIS LOCATION ONLY
- 30 COMPOSITE ALUMINUM SPANDREL PANEL WITH FINISH TO MATCH SURROUNDING FRAME
- 31 COMPOSITE ALUMINUM PANEL SYSTEM WITH FLUOROPOLYMER FINISH LOCAL OR SELECTED BY ARCHITECT WITH CORNER D FASTENERS, ALUMINUM ANGLE TRACKS AND ANGLE BRACKETS REQUIRED - EACH PANEL TO HAVE FLASHING AND GASKET JOINTS BETWEEN PANELS
- 32 COMPOSITE ALUMINUM PANEL SYSTEM BEYOND
- 33 COMPOSITE ALUMINUM PANEL COPING WITH FLUOROPOLYMER FINISH TO MATCH ALUMINUM COMPOSITE PANEL COLOR
- 34 EXTRUDED ALUMINUM FASCIA ROOF EDGE WITH FLUOROPOLYMER FINISH TO MATCH ALUMINUM COMPOSITE PANEL COLOR
- 35 HOT-ASPHALT-APPLIED MULTI-PLY SBS MODIFIED BITUMEN ROOFING SYSTEM OVER RESISTANT INSULATION PROVIDED BY ROOFING MANUFACTURER - PROVIDE PROTECTION BOARD WHERE REQUIRED BY ROOFING MANUFACTURER
- 36 SLOPE RIGID INSULATION BOARD AT 1/4" PER FOOT TO DRAIN AS SHOWN ON ROOF PLAN - R-20 AVERAGE
- 37 UNIFORM THICKNESS RIGID INSULATION BOARD - R-20 MINIMUM
- 38 1/2" GLASSMATT FACED GYPSUM THERMAL BARRIER BOARD
- 39 THERMALLY-BROKEN ALUMINUM STOREFRONT FRAMING SYSTEM WITH BLACK FLUOROPOLYMER FINISH
- 40 TRANSPARENT COMPOSITE FIBERGLASS PANELS WITH ALUMINUM FRAME WITH FLUOROPOLYMER FINISH TO MATCH ALUMINUM COMPOSITE PANEL COLOR
- 41 THERMALLY-BROKEN ALUMINUM STOREFRONT FRAMING SYSTEM WITH FLUOROPOLYMER FINISH TO MATCH ALUMINUM COMPOSITE PANEL COLOR
- 42 THERMALLY-BROKEN ALUMINUM CURTAINWALL FRAMING SYSTEM WITH FLUOROPOLYMER FINISH TO MATCH ALUMINUM COMPOSITE PANEL COLOR
- 43 THERMALLY-BROKEN ALUMINUM STOREFRONT FRAMING SYSTEM WITH FLUOROPOLYMER FINISH TO MATCH ALUMINUM COMPOSITE PANEL COLOR
- 44 1" INSULATING CLEAR GLAZING WITH LOW-EMISSION COATING
- 45 1" INSULATING GREY TINTED GLAZING WITH LOW-EMISSION COATING
- 46 5/8" GYPSUM BOARD OVER VAPOR BARRIER AND RIGID INSULATION OVER 2" METAL FURRING
- 47 5/8" GYPSUM BOARD - SEE FINISH SCHEDULE FOR FINISHES AND WALL TYPE SCHEDULE FOR RATED MATERIALS
- 48 5/8" GYPSUM BOARD BEYOND
- 49 SUSPENDED ACOUSTIC CEILING SYSTEM WITH 2X2 PANELS - SEE FINISH SCHEDULE FOR PANEL TYPES
- 50 3/16" TAPERED RESILIENT BASE - SEE SCHEDULE FOR TYPE
- 51 WALL BASE - SEE SCHEDULE FOR TYPE
- 52 STEEL ACOUSTIC LOUVER WITH FLUOROPOLYMER FINISH TO MATCH ALUMINUM COMPOSITE PANEL COLOR
- 53 LABORATORY CASEWORK - SEE ENLARGED PLANS AND ELEVATIONS FOR CONFIGURATION AND DIMENSIONS
- 54 LIGHTWEIGHT CONCRETE TOPPING OVER STRUCTURAL METAL DECK - SLOPE AT 1/4" PER FOOT TO DRAIN AS SHOWN ON ROOF PLAN
- 55 EXPOSED CONCRETE FLOOR SLAB WITH TROWEL FINISH AND CLEAR HARDENER / SEALER
- 56 8" HIGH SURFACE MOUNTED CAST ALUMINUM LETTERS / NUMBERS
- 57 COMPOSITE DRAINAGE / PROTECTION BOARD WITH INTEGRAL FILTER FABRIC OVER RUBBERIZED ASPHALT WATERPROOFING MEMBRANE - PROVIDE FOUNDATION DRAINS AS SHOWN
- 58 1" DEEP REVEAL IN CONCRETE SURFACE
- 59 5/8" GYPSUM BOARD OVER METAL FRAMING AT 16" ON CENTER
- 60 STRUCTURAL CONCRETE FRAME AND SLAB - SEE STRUCTURAL DRAWINGS FOR DIMENSIONS AND REINFORCING
- 61 EXPOSED STEEL STAIR SYSTEM WITH PAINTED FINISH - FILL STEEL TREAD PANS WITH CONCRETE AND PROVIDE 1" DIA. TIE PIPE HANDRAILS AND GUARDRAILS AT 42" ABOVE FLOOR
- 62 FLOOR FINISH - SEE ROOM FINISH SCHEDULE FOR TYPE



SECTION @ OFFICES-NORTH WING
1/2" = 1'-0"



SECTION @ NORTH CHASE
1/2" = 1'-0"



SECTION @ NORTH LAB
1/2" = 1'-0"

RECORD DOCUMENTS

12/1/02

DATE

REVISIONS

NO.	DATE	DESCRIPTION
1		
2		
3		
4		
5		
6		
7		
8		
9		

APPROVED FOR PROGRAM CONCEPT ONLY

DATE

APPROVED FOR PROGRAM CONCEPT ONLY

DATE

A-4.3

WALL SECTIONS

NORTHERN KENTUCKY UNIVERSITY

NATURAL SCIENCE BUILDING

COMMONWEALTH OF KENTUCKY
DEPARTMENT FOR FACILITIES MANAGEMENT
FRANKFORT, KENTUCKY

DESIGNED BY
A. E. LITTLE, INC.

CHECKED BY
J. W. P.

DRAWN BY
J. W. P.

DATE
6/99

Omni

ARCHITECTS

12/1/02

DATE