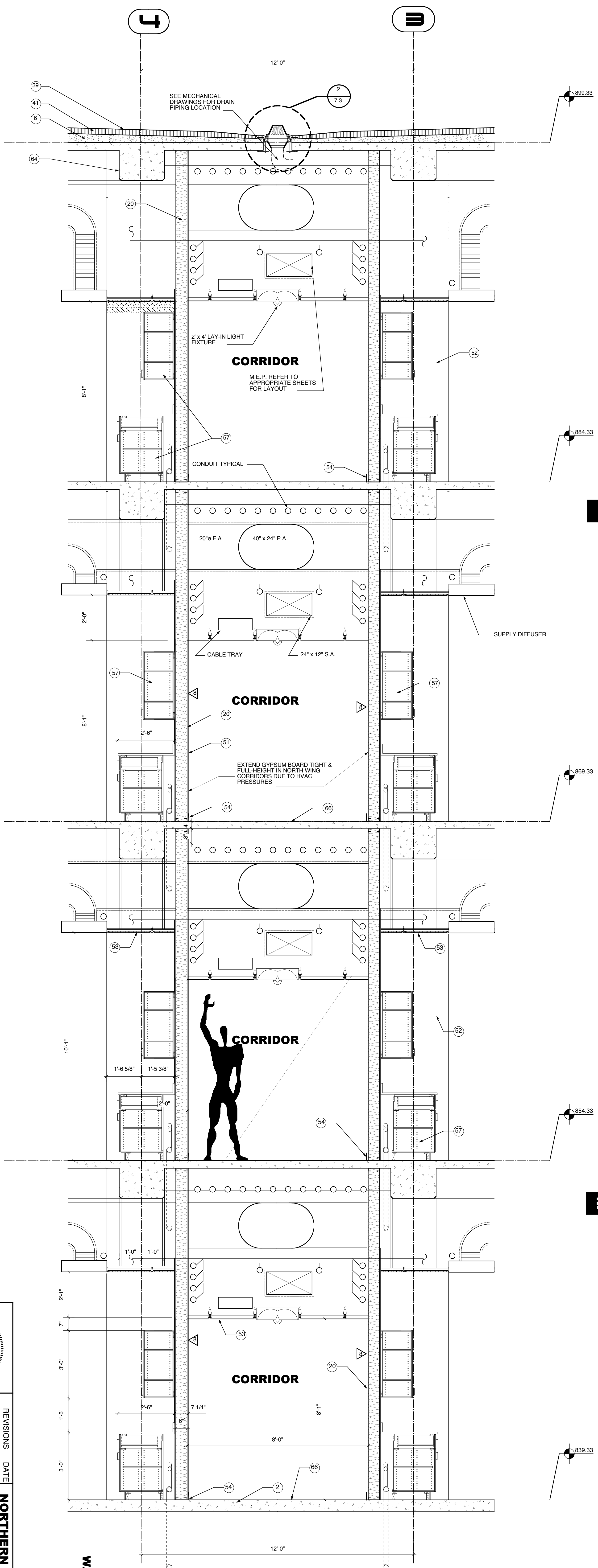
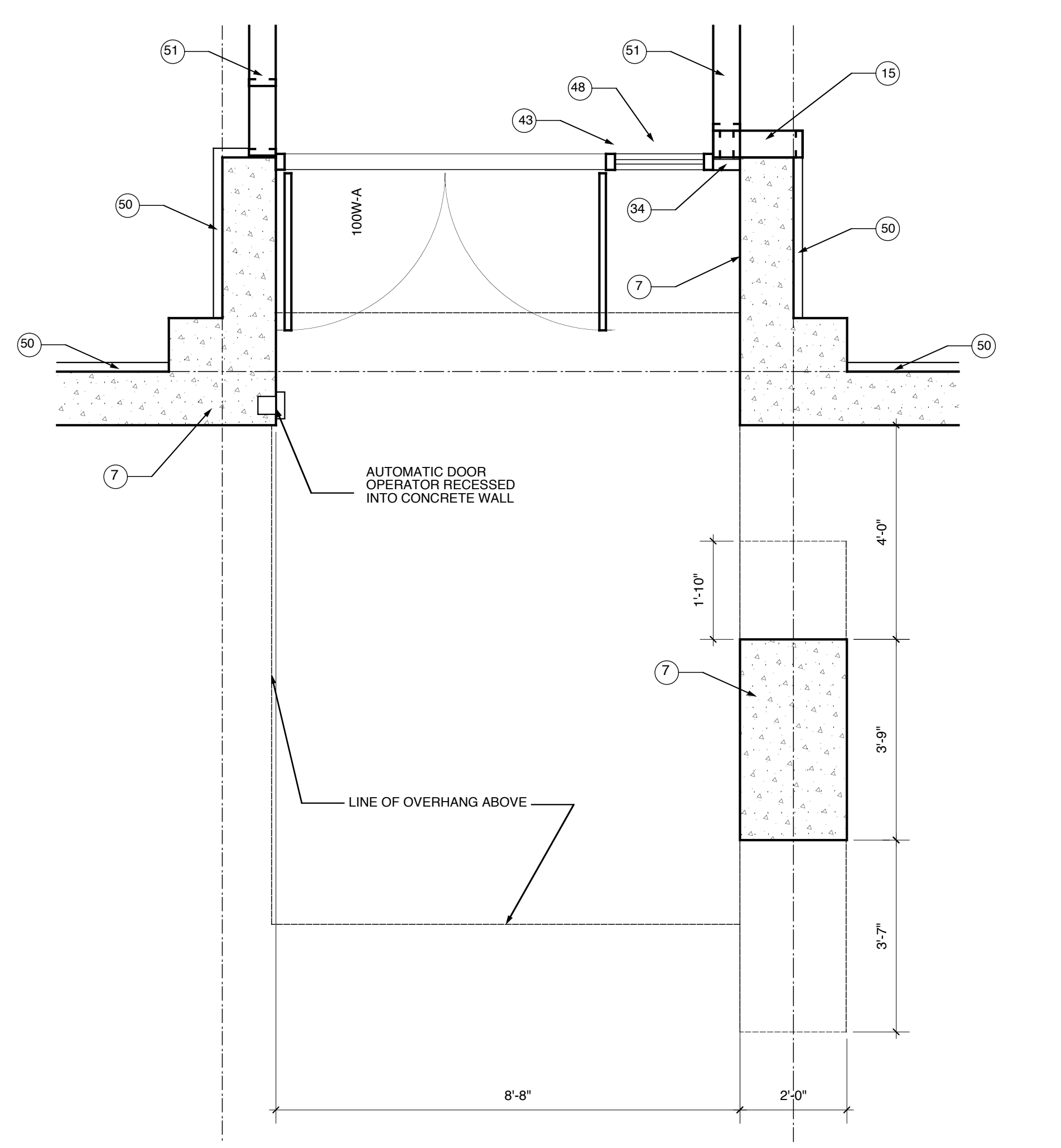


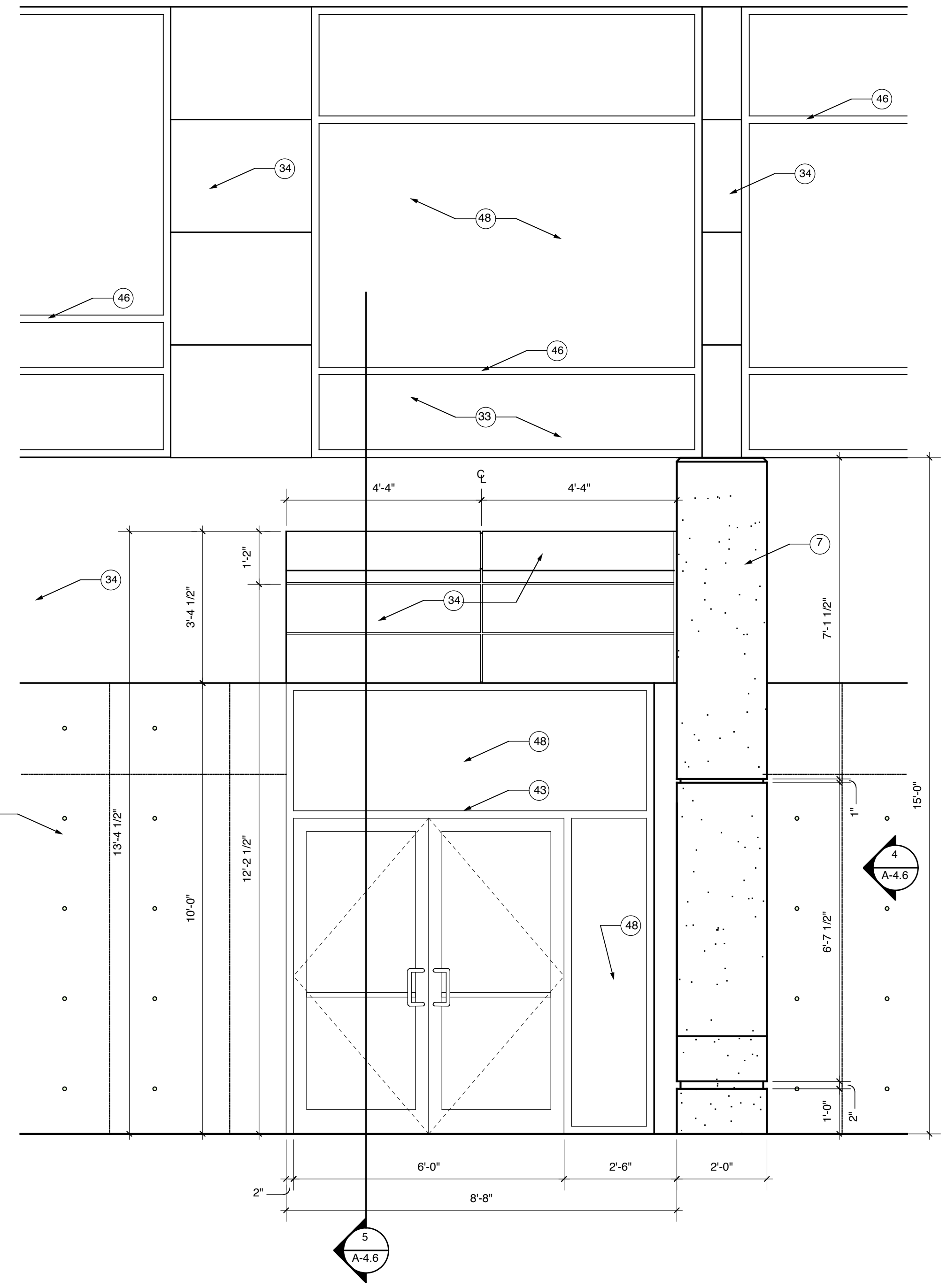
- 1 STRUCTURAL CONCRETE FOUNDATION - SEE STRUCTURAL DRAWINGS FOR DIMENSIONS, BEARING POINTS AND REINFORCING
- 2 STRUCTURAL CONCRETE SLAB - SEE STRUCTURAL DRAWINGS FOR DIMENSIONS, BEARING POINTS AND ENGINEERED FILL
- 3 EXPOSED CAST-IN-PLACE CONCRETE SURFACE - DO NOT PAINT
- 4 EXPOSED CAST-IN-PLACE CONCRETE SURFACE BEYOND
- 5 EXPOSED CAST-IN-PLACE CONCRETE WEARING SLAB OVER RIGID INSULATION OVER MEMBRANE FLASHING OVER STRUCTURAL CONCRETE SLAB
- 6 LIGHTWEIGHT CONCRETE TOPPING OVER STRUCTURAL CONCRETE SLAB - SLOPE AT 1/4" PER FOOT TO DRAIN AS SHOWN ON ROOF PLAN
- 7 EXPOSED CAST-IN-PLACE CONCRETE WITH ARCHITECTURAL FINISH AND RUSTICATION JOINTS
- 8 CONCRETE REVEAL FOR SURFACE-MOUNTED LIGHT FIXTURE
- 9 CONCRETE MASONRY UNITS WITH HORIZONTAL JOINT REINFORCING AT 16" ON CENTER VERTICALLY - SEE FINISH SCHEDULE FOR FINISH
- 10 EXPOSED STEEL STRUCTURE WITH INTUMESCENT PAINTED FINISH - SEE STRUCTURAL DRAWINGS FOR SIZE AND DIMENSIONS
- 11 STEEL STRUCTURE - SEE STRUCTURAL DRAWINGS FOR SIZE AND DIMENSIONS
- 12 EXPOSED STEEL STRUCTURE WITH PAINTED FINISH - SEE STRUCTURAL DRAWINGS FOR SIZE AND DIMENSIONS
- 13 METAL ROOF DECK - SEE STRUCTURAL DRAWINGS FOR DEPTH AND GAUGE
- 14 STEEL EDGE ANGLE - SEE STRUCTURAL DRAWINGS FOR SIZE AND DIMENSIONS
- 15 16 GAUGE COLD-FORMED METAL STUDS AT 16" ON CENTER
- 16 16 GAUGE COLD-FORMED METAL FRAMING AT 16" ON CENTER
- 17 SECURE EACH COLD-FORMED FRAMING MEMBER TO STEEL STRUCTURE WITH SLIP JOINT FOR DEFLECTION
- 18 SLOPED CONCRETE SURFACE
- 19 PROVIDE DOUBLE STUDS AT THIS LOCATION, TYPICAL
- 20 METAL STUDS AT 16" ON CENTER
- 21 METAL FRAMING AT 16" ON CENTER
- 22 EXTERIOR ALUMINUM GUARDRAIL WITH BLACK FLUOROPOLYMER FINISH - 42" HIGH
- 23 METAL HANDRAIL / GUARDRAIL WITH PAINTED FINISH
- 24 HOLLOW METAL DOOR AND FRAME WITH PAINTED FINISH
- 25 FIRE-TREATED WOOD BLOCKING
- 26 SHIM AS REQUIRED AT PERIMETER
- 27 SOLID SURFACING WINDOW SILL
- 28 APPROXIMATE FINISH GRADE - SEE SITE DRAWINGS FOR ELEVATION
- 29 AIR INFILTRATION BARRIER WITH TAPED JOINTS OVER 1/2" GLASSMATT-FACED EXTERIOR GYPSUM SHEETING ON EXTERIOR FACE OF WALL AND 6 MIL VAPOR BARRIER ON INTERIOR FACE OF WALL - FILL WALL CAVITY WITH BATT INSULATION BACKER ROD AND SEALANT
- 30 BACKER ROD AND SEALANT IN COMPOSITE ALUMINUM PANEL JOINTS IN THIS LOCATION ONLY
- 31 COMPOSITE ALUMINUM SPANDREL PANEL WITH FINISH TO MATCH SURROUNDING FRAME
- 32 COMPOSITE ALUMINUM PANEL SYSTEM WITH FLUOROPOLYMER FINISH COLOR SELECTED BY ARCHITECT WITH CONCEALED FASTENERS, ALUMINUM MOUNTING TRACKS, AND SHIMS AS REQUIRED - EACH PANEL TO HAVE FLASHING AND WEEP HOLES - DO NOT CALK OR CASSET - JOINTS BETWEEN PANELS
- 33 COMPOSITE ALUMINUM PANEL SYSTEM BEYOND
- 34 COMPOSITE ALUMINUM PANEL COPING WITH FLUOROPOLYMER FINISH TO MATCH ALUMINUM COMPOSITE PANEL COLOR
- 35 EXTRUDED ALUMINUM COPING WITH FLUOROPOLYMER FINISH TO MATCH ALUMINUM COMPOSITE PANEL COLOR
- 36 EXTRUDED ALUMINUM FASCIA ROOF EDGE WITH FLUOROPOLYMER FINISH TO MATCH ALUMINUM COMPOSITE PANEL COLOR
- 37 HOT-ASPHALT APPLIED MULTILAYER SBS MODIFIED BITUMEN ROOFING SYSTEM OVER POLYISOCYANURATE INSULATION BOARD - INSULATION TO BE APPROVED BY ROOFING MANUFACTURER - PROVIDE PROTECTION BOARD WHERE REQUIRED BY ROOFING MANUFACTURER
- 38 SLOPE RIGID INSULATION BOARD AT 1/4" PER FOOT TO DRAIN AS SHOWN ON ROOF PLAN - 1/2" MINIMUM
- 39 UNIFORM THICKNESS RIGID INSULATION BOARD - 1/2" MINIMUM
- 40 1/2" GLASSMATT-FACED GYPSUM THERMAL BARRIER BOARD
- 41 THERMALLY-BROKEN ALUMINUM STOREFRONT FRAMING SYSTEM WITH BLACK FLUOROPOLYMER FINISH
- 42 TRANSLUCENT COMPOSITE FIBERGLASS PANELS WITH ALUMINUM FRAME WITH FLUOROPOLYMER FINISH TO MATCH ALUMINUM COMPOSITE PANEL COLOR
- 43 THERMALLY-BROKEN ALUMINUM STOREFRONT FRAMING SYSTEM WITH FLUOROPOLYMER FINISH TO MATCH ALUMINUM COMPOSITE PANEL COLOR
- 44 THERMALLY-BROKEN ALUMINUM CURTAINWALL FRAMING SYSTEM WITH FLUOROPOLYMER FINISH TO MATCH ALUMINUM COMPOSITE PANEL COLOR
- 45 THERMALLY-BROKEN ALUMINUM SKYLIGHT WITH FLUOROPOLYMER FINISH
- 46 1" INSULATING CLEAR GLAZING WITH LOW-EMISSIVITY COATING
- 47 1" INSULATING GREY-TINTED GLAZING WITH LOW-EMISSIVITY COATING
- 48 5/8" GYPSUM BOARD OVER VAPOR BARRIER WITH RIGID INSULATION OVER 2" METAL FURRING
- 49 5/8" GYPSUM BOARD - SEE FINISH SCHEDULE FOR FINISHES AND WALL TYPE SCHEDULE FOR RATED MATERIALS
- 50 5/8" GYPSUM BOARD BEYOND
- 51 SUSPENDED ACOUSTIC CEILING SYSTEM WITH 2'x2' PANELS - SEE FINISH SCHEDULE FOR PANEL TYPES
- 52 3 1/2" TAPERED RESILIENT BASE - SEE SCHEDULE FOR TYPE
- 53 WALL BASE - SEE SCHEDULE FOR TYPE
- 54 STEEL ACOUSTIC LOUVER WITH FLUOROPOLYMER FINISH TO MATCH ALUMINUM COMPOSITE PANEL COLOR
- 55 LABORATORY CASEWORK - SEE ENLARGED PLANS AND ELEVATIONS FOR CONFIGURATION AND DIMENSIONS
- 56 LIGHTWEIGHT CONCRETE TOPPING OVER STRUCTURAL METAL DECK - SLOPE AT 1/4" PER FOOT TO DRAIN AS SHOWN ON ROOF PLAN
- 57 EXPOSED CONCRETE FLOOR SLAB WITH TROWEL FINISH AND CLEAR HARDENER / SEALER
- 58 8" HIGH SURFACE-MOUNTED CAST ALUMINUM LETTERS / NUMBERS
- 59 COMPOSITE DRAINAGE / PROTECTION BOARD WITH INTEGRAL FILTER FABRIC OVER RUBBERIZED ASPHALT WATERPROOFING MEMBRANE - PROVIDE FOUNDATION DRAINS AS SHOWN
- 60 1" DEEP REVEAL IN CONCRETE SURFACE
- 61 5/8" GYPSUM BOARD OVER METAL FRAMING AT 16" ON CENTER
- 62 STRUCTURAL CONCRETE FRAME AND SLAB - SEE STRUCTURAL DRAWINGS FOR DIMENSIONS AND REINFORCING
- 63 EXPOSED STEEL STAIR SYSTEM WITH PAINTED FINISH - FILL STEEL DECK PANS WITH CONCRETE AND PROVIDE 1" DIA. TIE PIPE HANDRAILS AND GUARDRAILS AT 42" ABOVE FLOOR
- 64 FLOOR FINISH - SEE ROOM FINISH SCHEDULE FOR TYPE



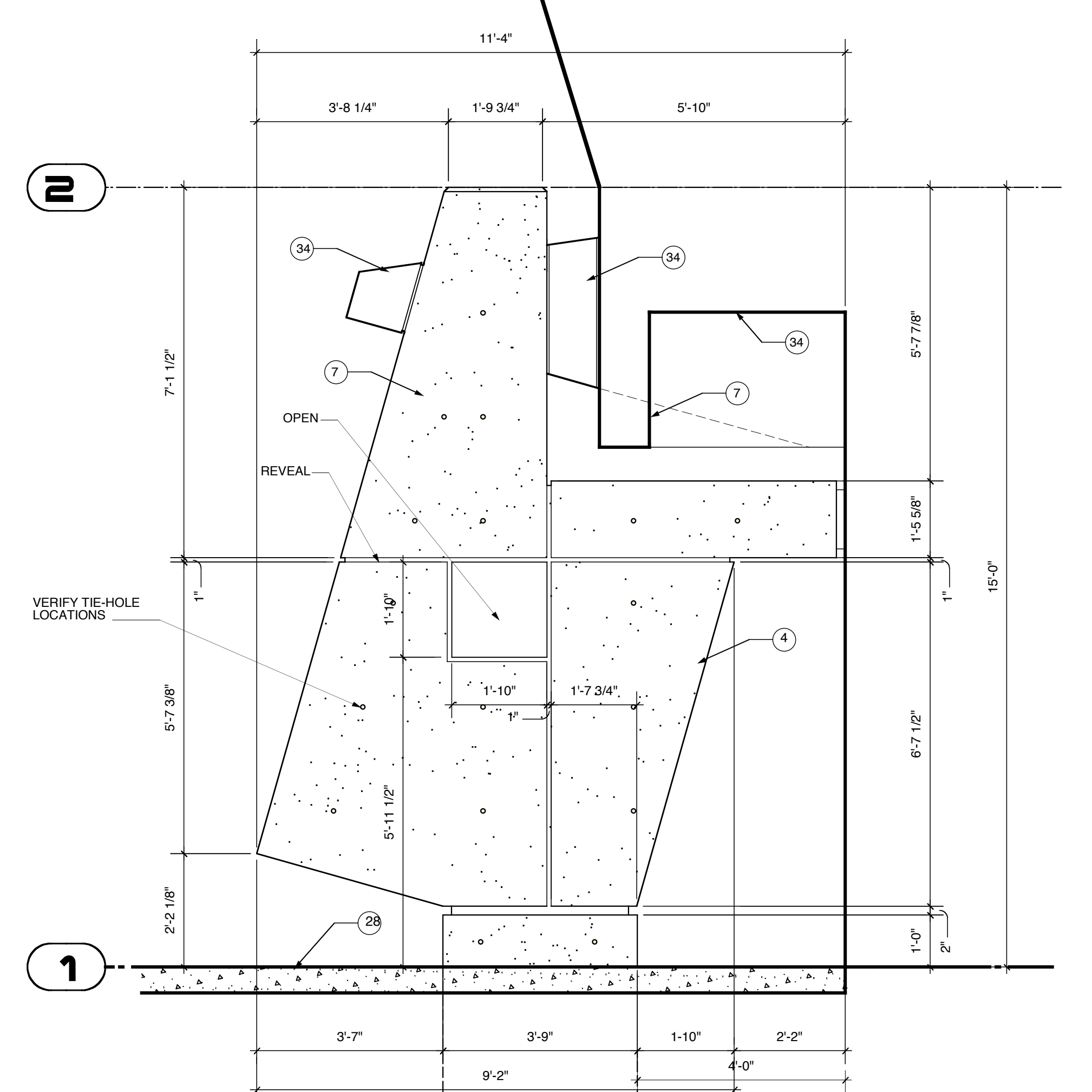
WALL SECTION @ CORRIDOR
1/2" = 1'-0"



CANOPY PLAN
1/2" = 1'-0"



CANOPY ELEVATION
1/2" = 1'-0"



CANOPY ELEVATION
1/2" = 1'-0"

	RECORD DOCUMENTS	DATE	REVISIONS	DATE
	1 2 3 4 5 6 7 8 9	12/7/02	1 2 3 4 5 6 7 8 9	12/7/02
	PROJECT NO. 02-00000000 DRAWING NO. A-4.6	PROJECT NAME NORTHERN KENTUCKY UNIVERSITY NATURAL SCIENCE BUILDING	DRAWING TITLE WALL SECTIONS AND DETAILS	DATE 12/7/02
ARCHITECTS	ENGINEER	PROJECT NO. 02-00000000 DRAWING NO. A-4.6	PROJECT NAME NORTHERN KENTUCKY UNIVERSITY NATURAL SCIENCE BUILDING	DATE 12/7/02

WALL SECTIONS AND DETAILS
A-4.6

NORTHERN KENTUCKY UNIVERSITY
NATURAL SCIENCE BUILDING

RECORD DOCUMENTS
DATE 12/7/02
REVISIONS 1-9
DATE 12/7/02

PROJECT NO. 02-00000000
DRAWING NO. A-4.6
PROJECT NAME
NORTHERN KENTUCKY UNIVERSITY
NATURAL SCIENCE BUILDING
DRAWING TITLE
WALL SECTIONS AND DETAILS
DATE 12/7/02

ARCHITECTS
ENGINEER
PROJECT NO. 02-00000000
DRAWING NO. A-4.6
PROJECT NAME
NORTHERN KENTUCKY UNIVERSITY
NATURAL SCIENCE BUILDING
DRAWING TITLE
WALL SECTIONS AND DETAILS
DATE 12/7/02