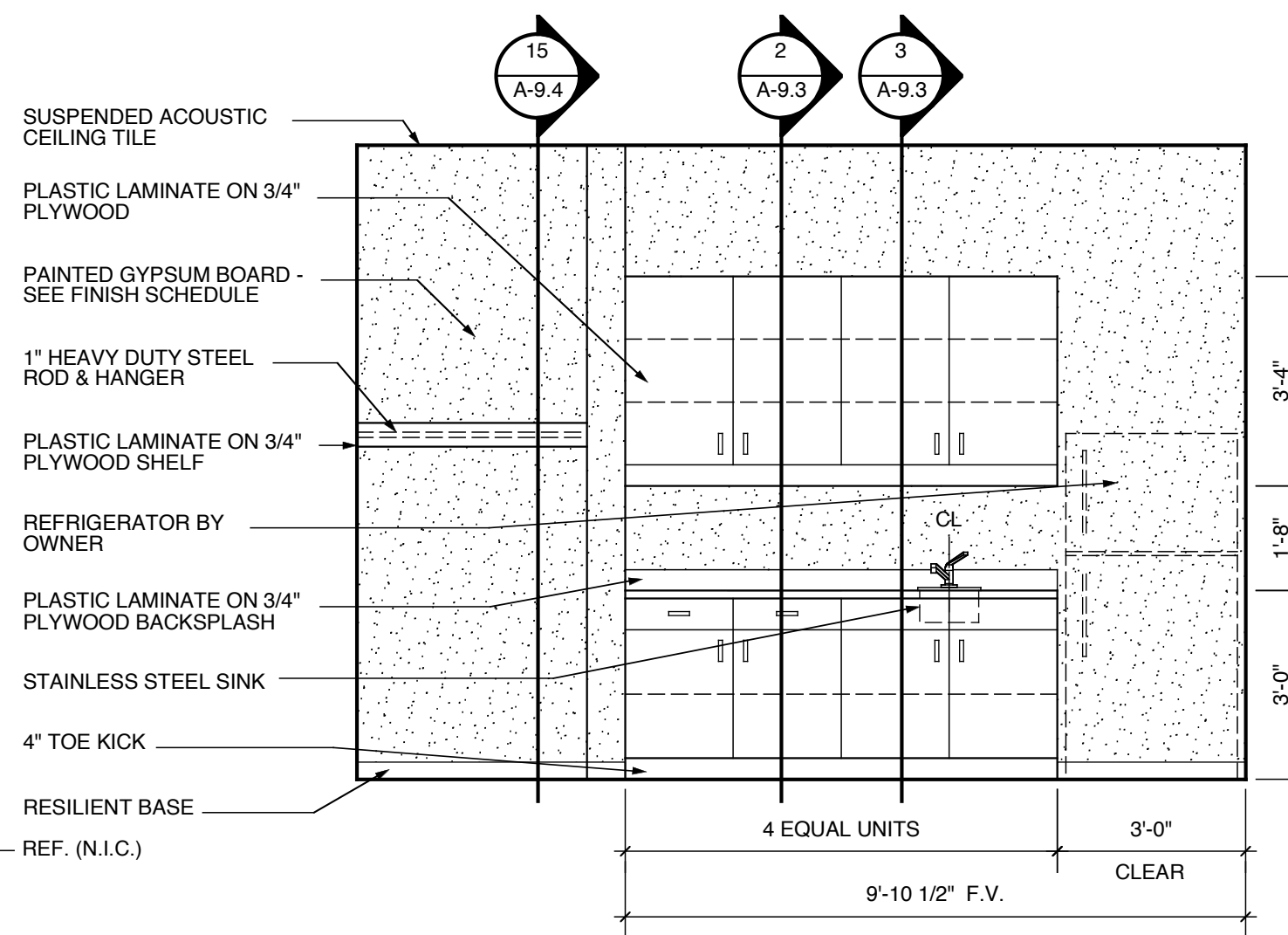
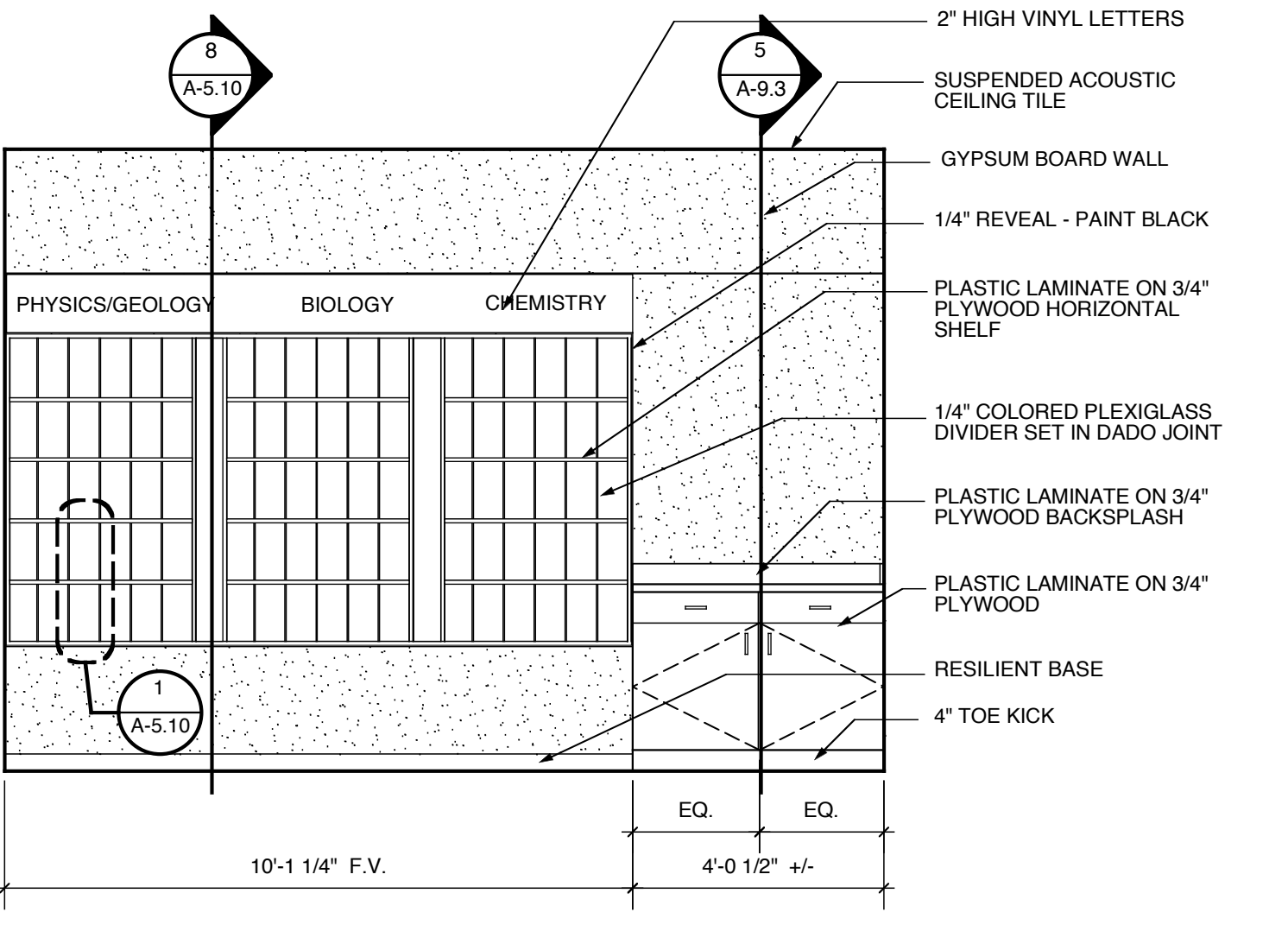


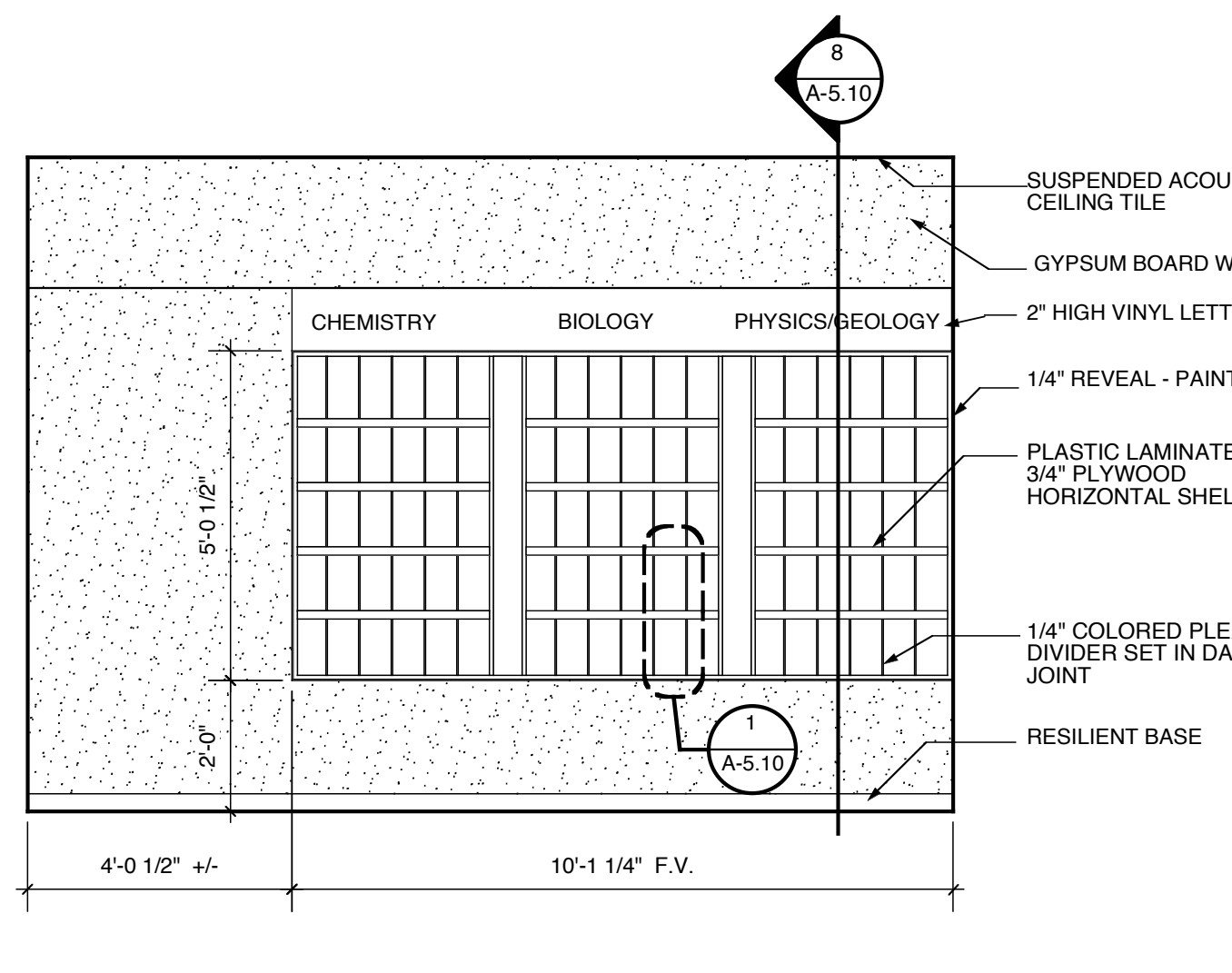
1 ENLARGED PLAN @ RM. 204J
3/8" = 1'-0"



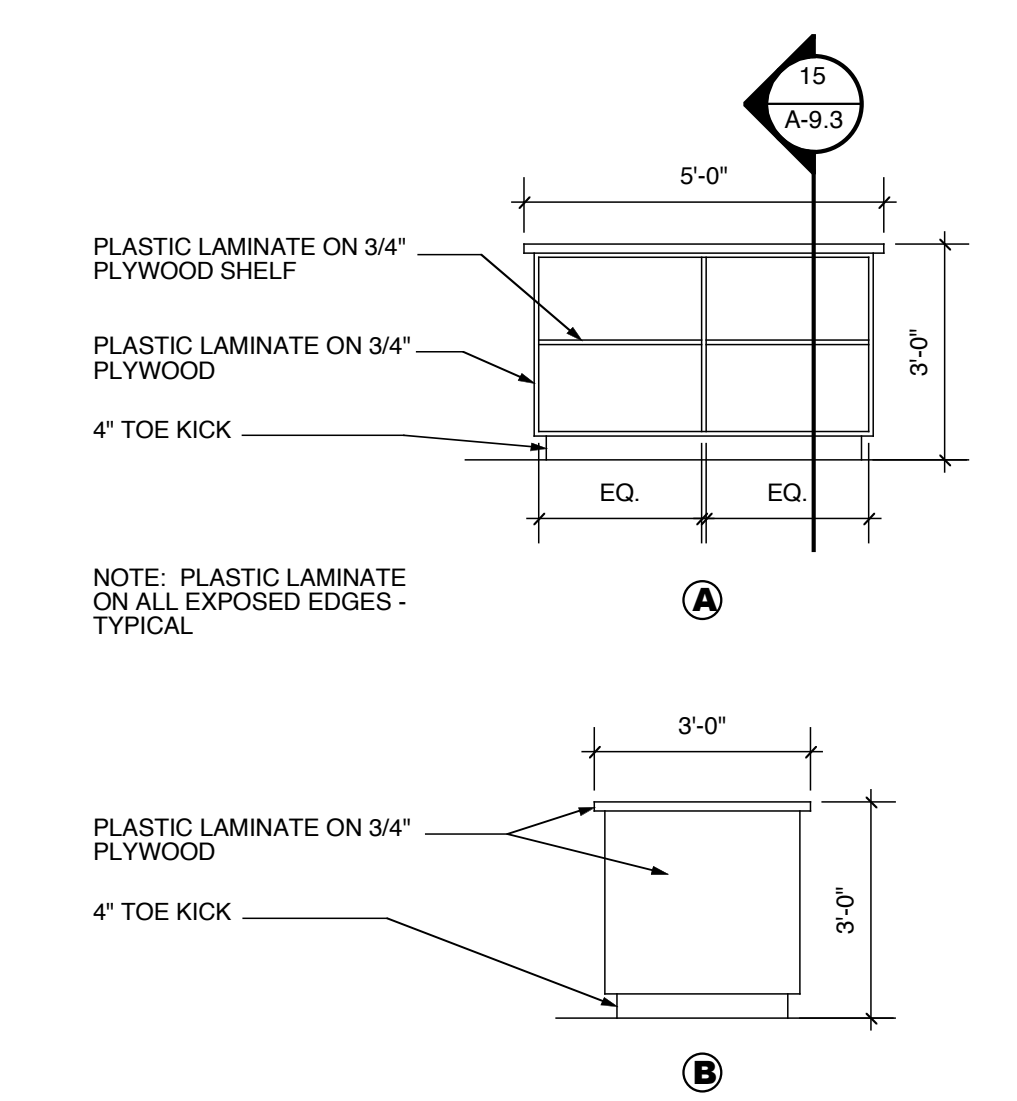
2 CASEWORK ELEVATION
3/8" = 1'-0"



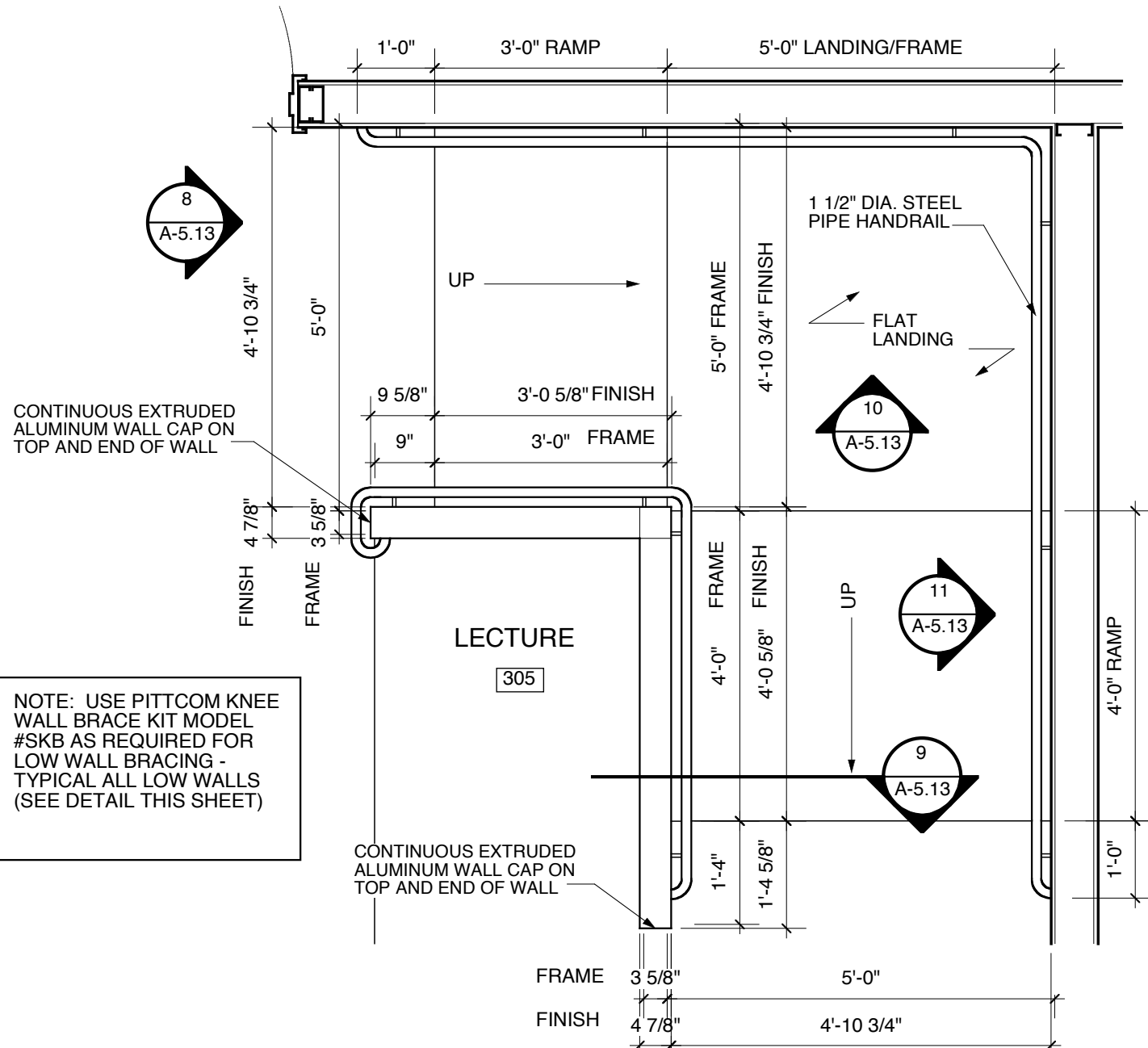
3 CASEWORK ELEVATION
3/8" = 1'-0"



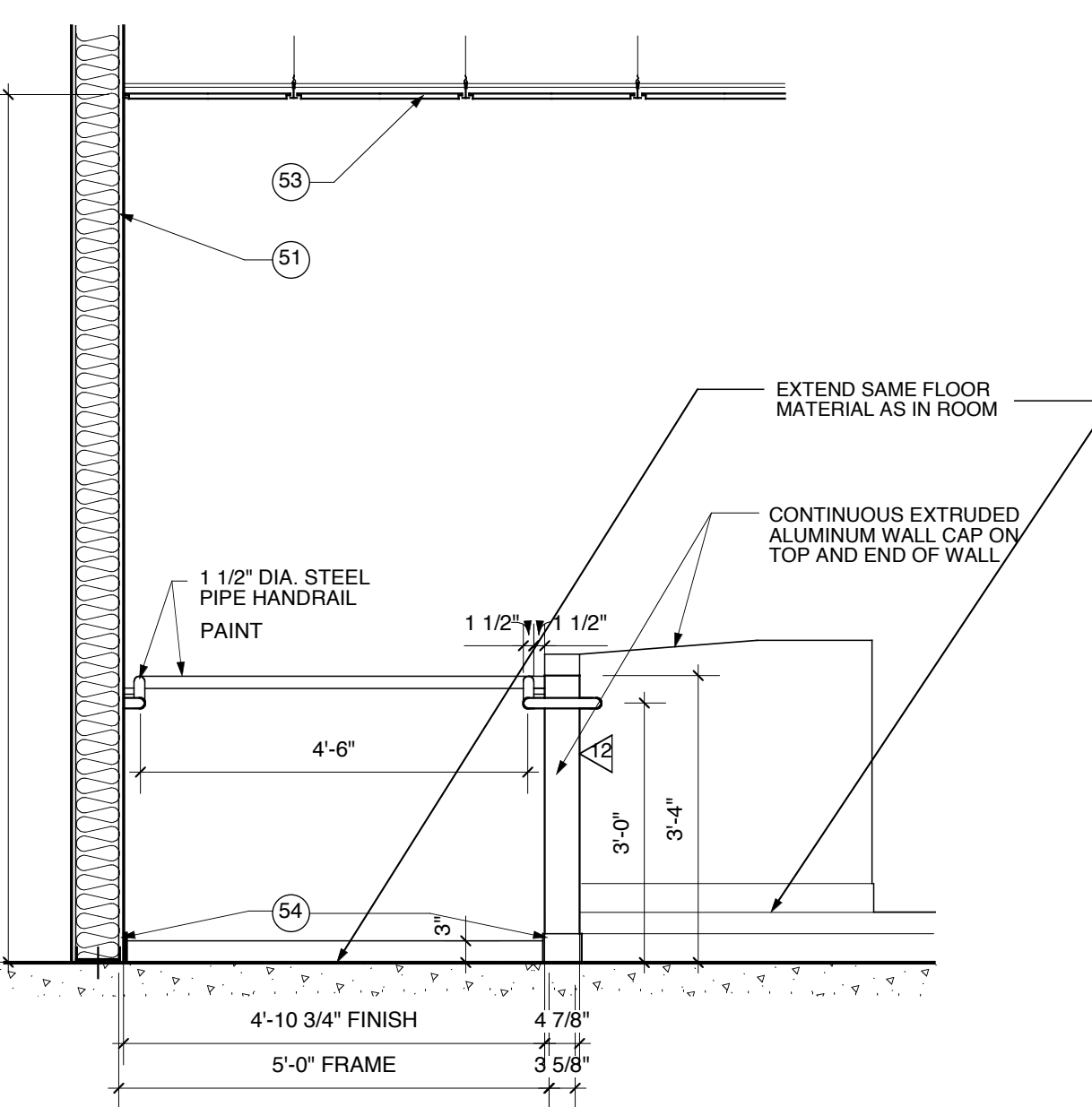
4 CASEWORK ELEVATION
3/8" = 1'-0"



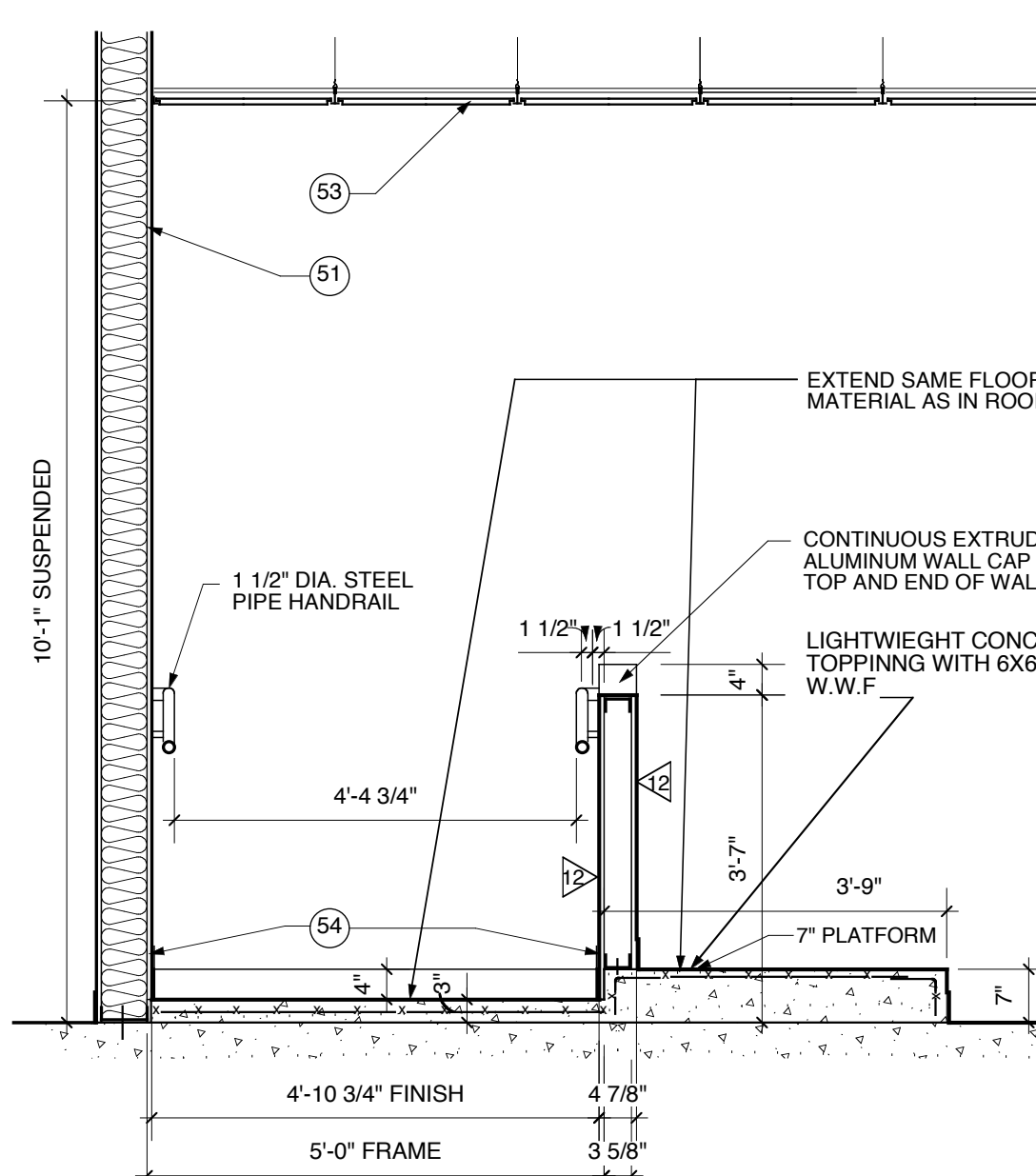
5 CASEWORK ELEVATION
3/8" = 1'-0"



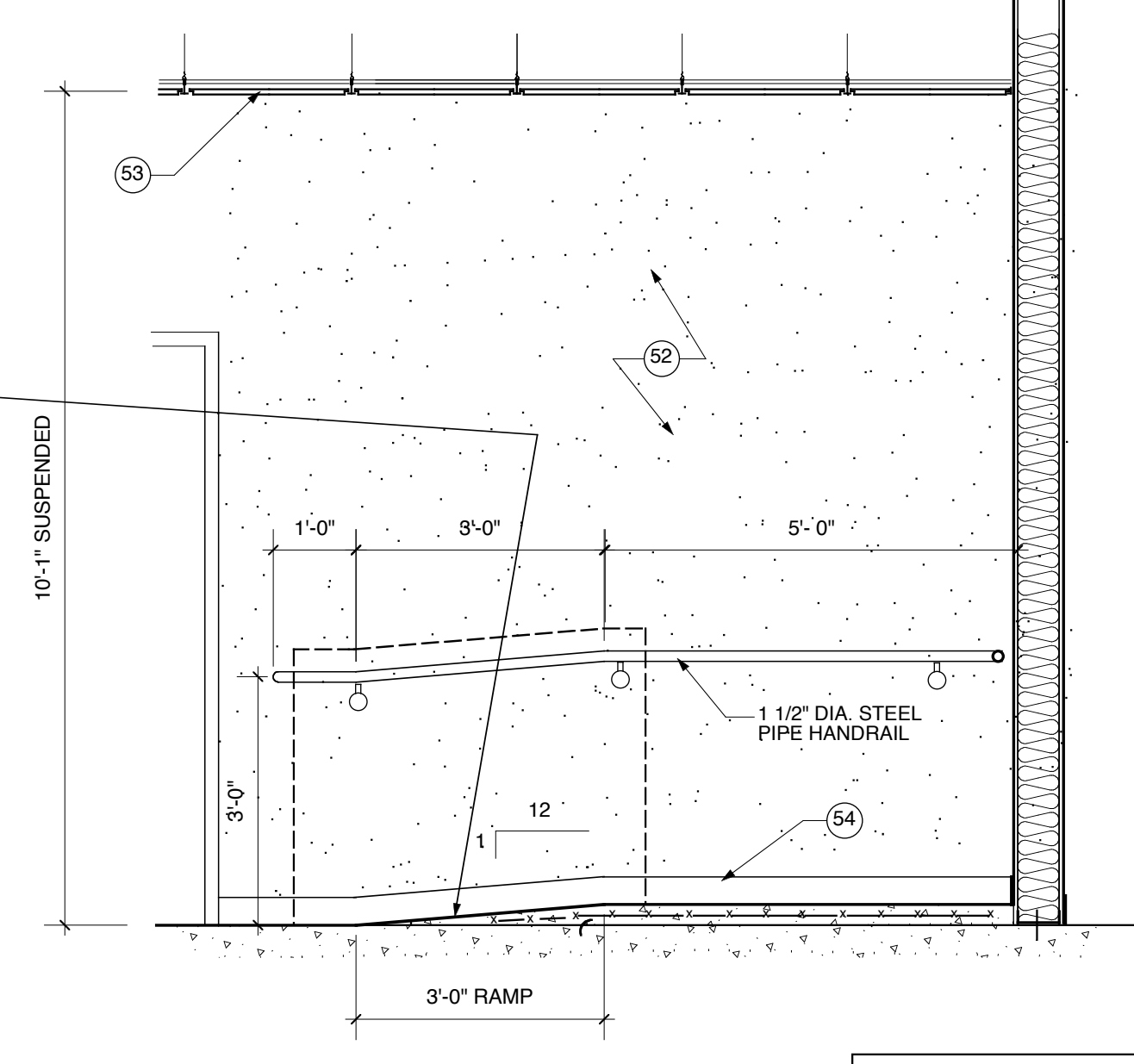
7 ENLARGED PLAN @ RM. #305
1/2" = 1'-0"



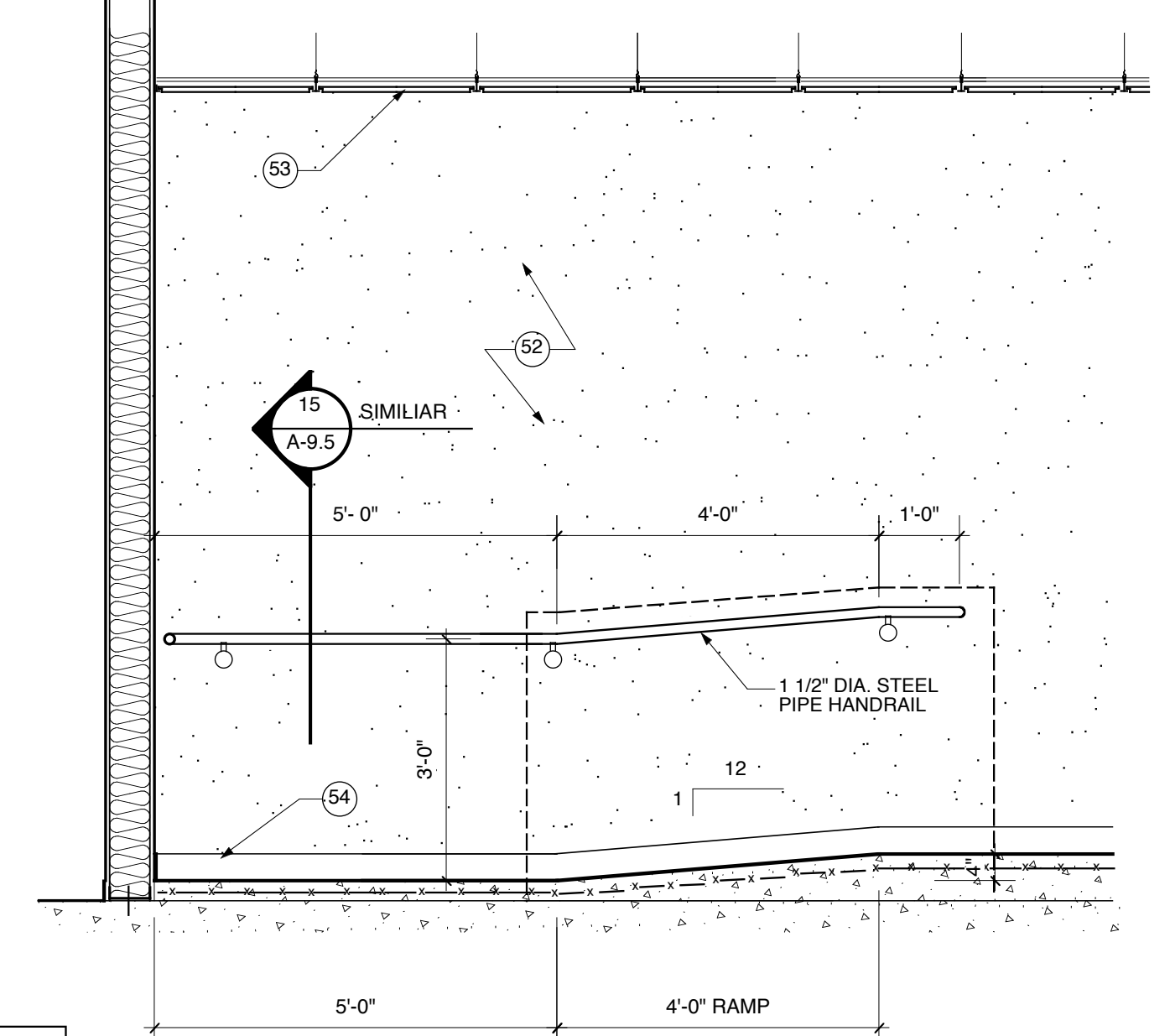
8 ELEVATION
1/2" = 1'-0"



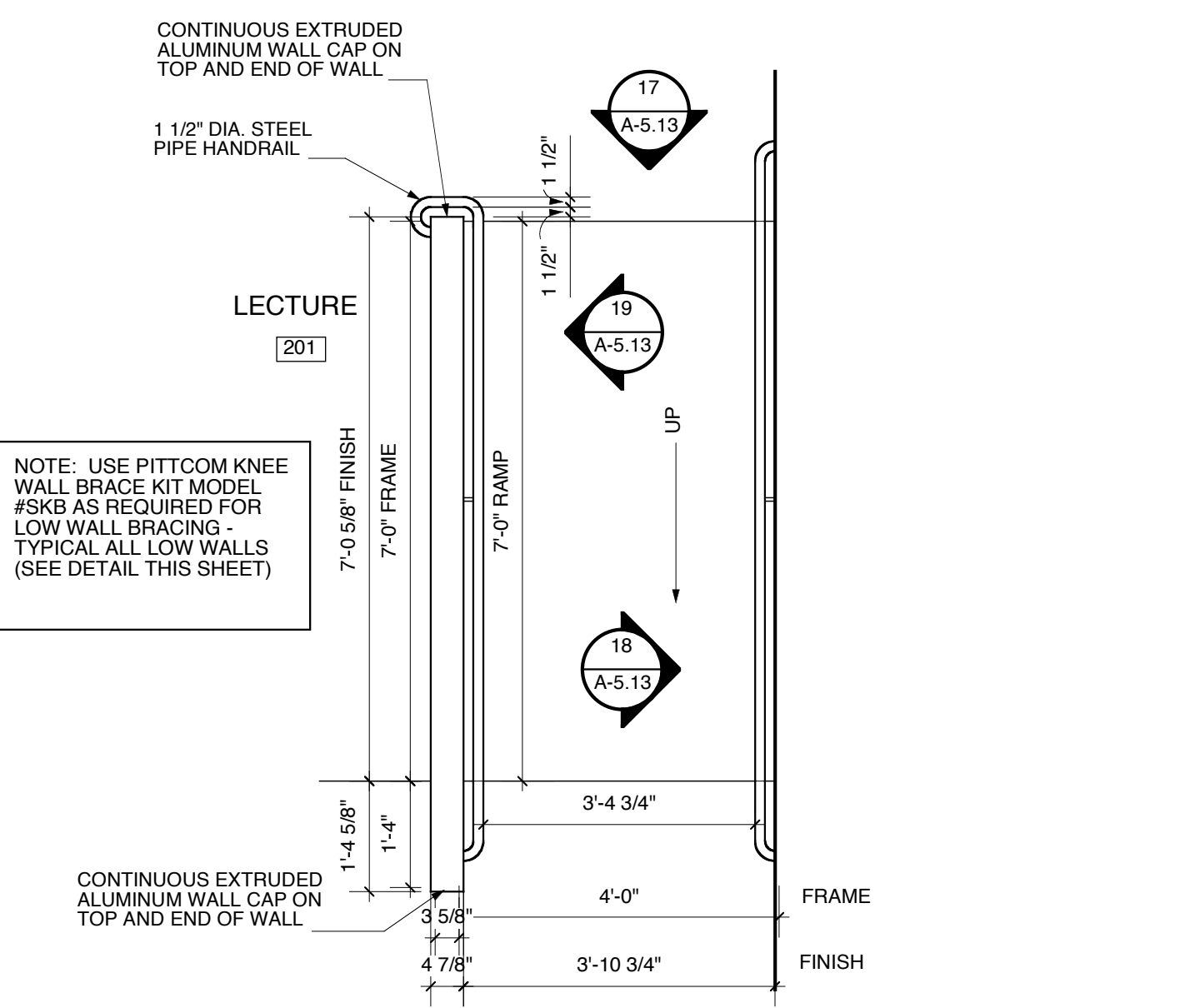
9 ELEVATION
1/2" = 1'-0"



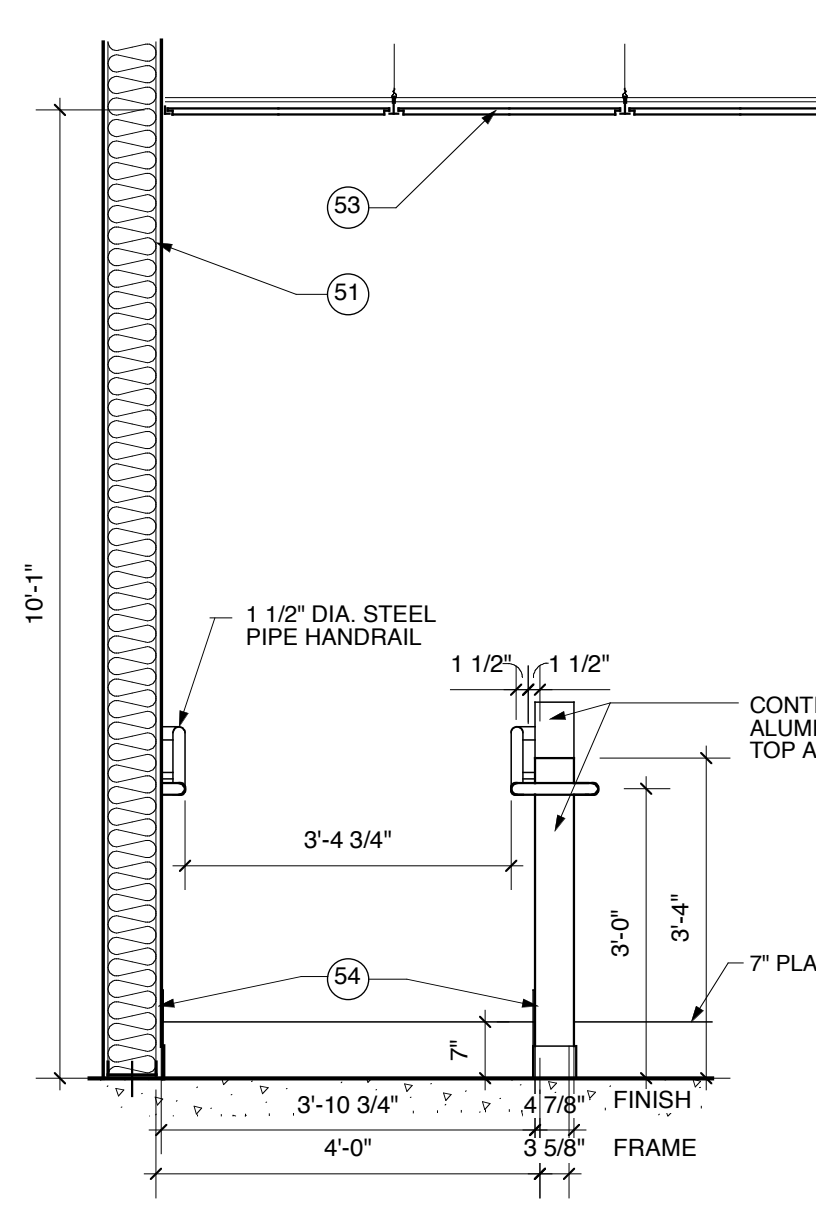
10 ELEVATION
1/2" = 1'-0"



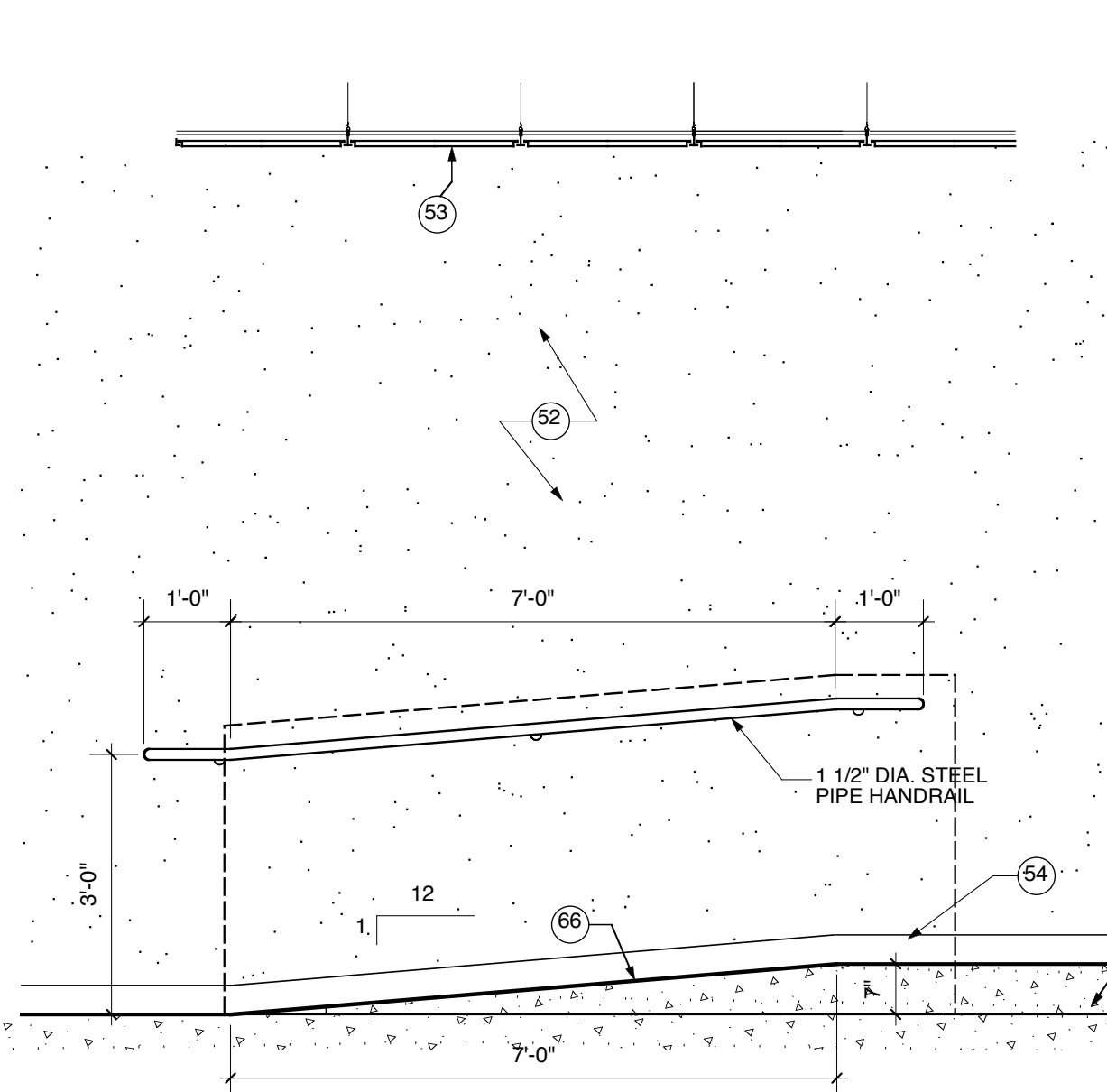
11 ELEVATION
1/2" = 1'-0"



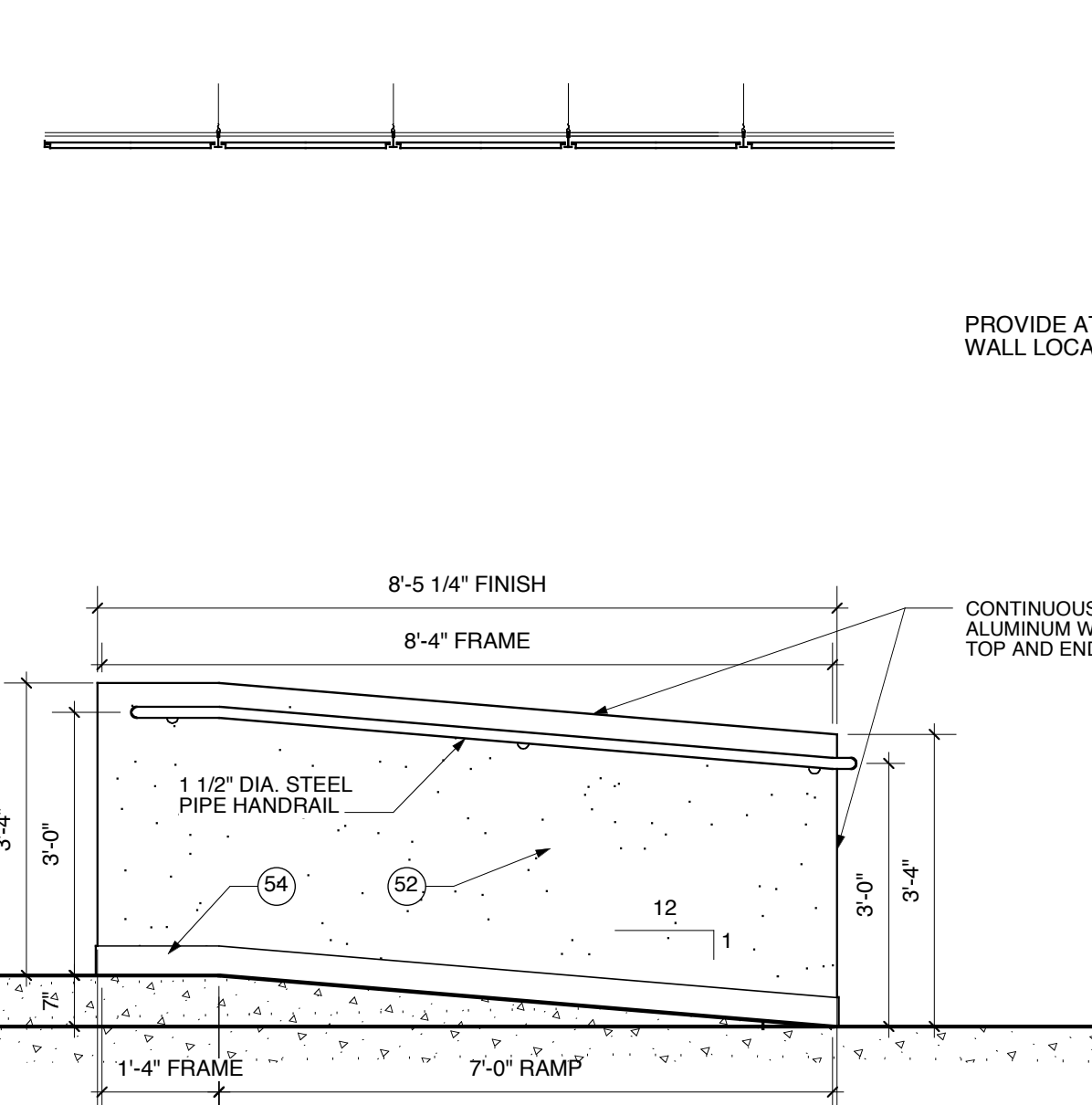
15 ENLARGED PLAN @ RM. 201
1/2" = 1'-0"



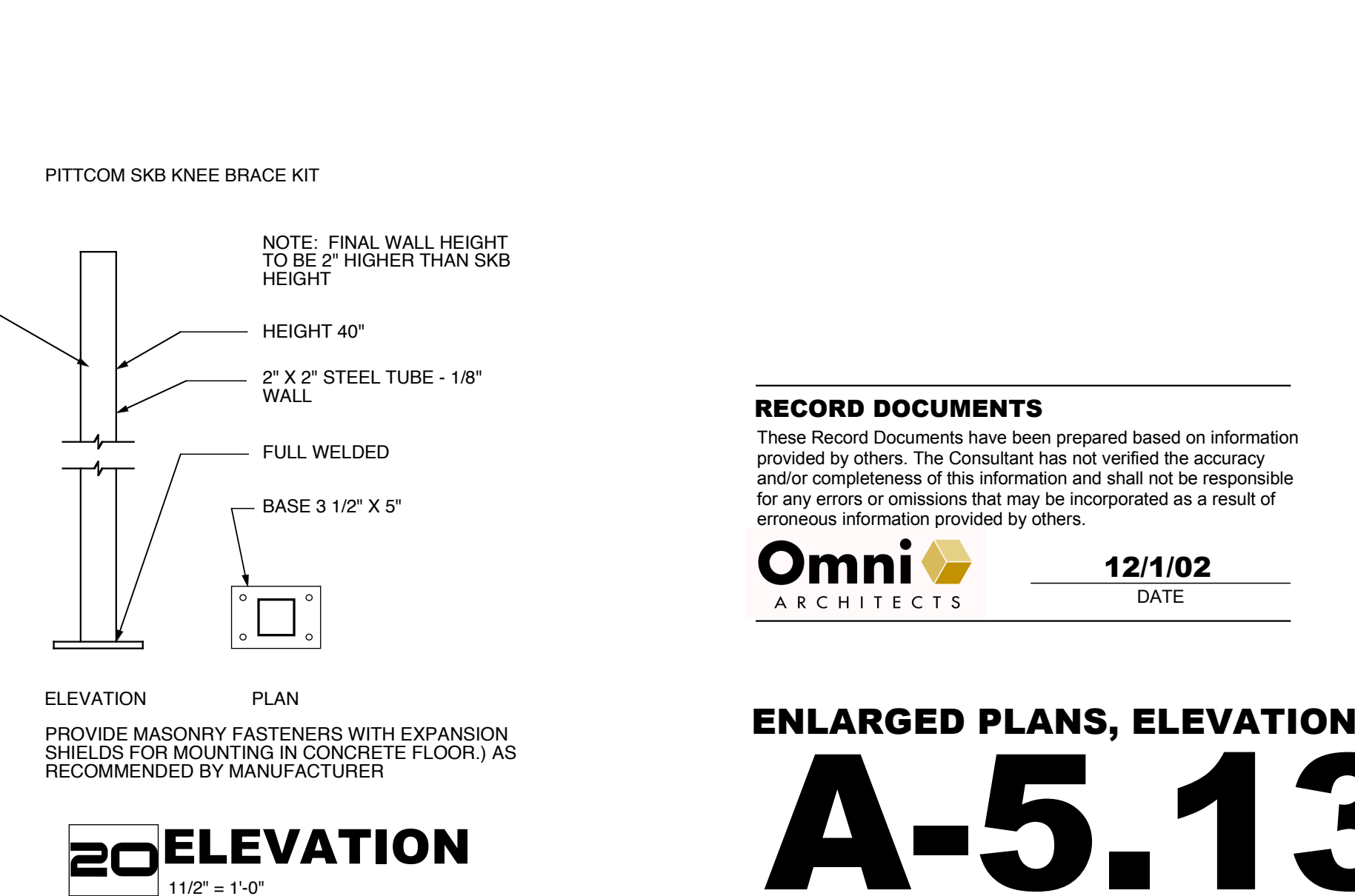
17 ELEVATION
1/2" = 1'-0"



18 ELEVATION
1/2" = 1'-0"



19 ELEVATION
1/2" = 1'-0"



20 ELEVATION
1 1/2" = 1'-0"

- 1 STRUCTURAL CONCRETE FOUNDATION - SEE STRUCTURAL DRAWINGS FOR DIMENSIONS, BEARING POINTS AND REINFORCING
- 2 STRUCTURAL CONCRETE SLAB - SEE STRUCTURAL DRAWINGS FOR DIMENSIONS, REINFORCING, AND ENGINEERED FILL
- 3 EXPOSED CAST-IN-PLACE CONCRETE SURFACE - DO NOT PAINT
- 4 EXPOSED CAST-IN-PLACE CONCRETE SURFACE BEYOND
- 5 EXPOSED CAST-IN-PLACE CONCRETE WEARING SLAB OVER INSULATION OVER MEMBRANE FLASHING OVER STRUCTURAL CONCRETE SLAB
- 6 LIGHTWEIGHT CONCRETE TOPPING OVER STRUCTURAL CONCRETE SLAB - SLOPE AT 1/4" PER FOOT TO DRAIN AS SHOWN ON ROOF PLAN
- 7 EXPOSED CAST-IN-PLACE CONCRETE WITH INFLUENT PAINTED FINISH - SEE STRUCTURAL DRAWINGS FOR DIMENSIONS AND REINFORCING
- 8 CONCRETE REVEAL FOR SURFACE-MOUNTED LIGHT FIXTURE
- 9 CONCRETE MASONRY UNITS WITH HORIZONTAL JOINT REINFORCING AT 16" ON CENTER VERTICALLY - SEE FINISH SCHEDULE FOR FINISH
- 10 EXPOSED STEEL STRUCTURE WITH INFLUENT PAINTED FINISH - SEE STRUCTURAL DRAWINGS FOR SIZE AND DIMENSIONS
- 11 STEEL STRUCTURE - SEE STRUCTURAL DRAWINGS FOR SIZE AND DIMENSIONS
- 12 EXPOSED STEEL STRUCTURE WITH PAINTED FINISH - SEE STRUCTURAL DRAWINGS FOR SIZE AND DIMENSIONS
- 13 AIR INFILTRATION BARRIER WITH TAPED JOINTS OVER 1/2" GLASSMAT-FACED EXTERIOR GYPSUM SHEATHING ON EXTERIOR FACE OF WALL AND 6 MIL VAPOR BARRIER ON INTERIOR FACE OF WALL. FILL WALL CAVITY WITH BATT INSULATION
- 14 STEEL EDGE ANGLE - SEE STRUCTURAL DRAWINGS FOR SIZE AND DIMENSIONS
- 15 18 GAUGE COLD-FORMED METAL STUDS AT 16" ON CENTER
- 16 18 GAUGE COLD-FORMED METAL FRAMING AT 16" ON CENTER
- 17 SECURE EACH COLD-FORMED FRAMING MEMBER TO STEEL STRUCTURE WITH SLIP JOINT FOR DEFLECTION
- 18 SLOPED CONCRETE SURFACE
- 19 PROVIDE DOUBLE STUDS AT THIS LOCATION TYPICAL
- 20 METAL STUDS AT 16" ON CENTER
- 21 METAL FRAMING AT 16" ON CENTER
- 22 EXTERIOR ALUMINUM GUARDRAIL WITH BLACK FLUOROPOLYMER FINISH - 42" HIGH
- 23 METAL HANDRAIL / GUARDRAIL WITH PAINTED FINISH
- 24 HOLLOW METAL DOOR AND FRAME WITH PAINTED FINISH
- 25 FIRE-TREATED WOOD BLOCKING
- 26 SHIM AS REQUIRED AT PERIMETER
- 27 SOLID SURFACING WINDOW SILL
- 28 APPROXIMATE FINISH GRADE - SEE SITE DRAWINGS FOR ELEVATION
- 29 AIR INFILTRATION BARRIER WITH TAPED JOINTS OVER 1/2" GLASSMAT-FACED EXTERIOR GYPSUM SHEATHING ON EXTERIOR FACE OF WALL AND 6 MIL VAPOR BARRIER ON INTERIOR FACE OF WALL. FILL WALL CAVITY WITH BATT INSULATION
- 30 COMPOSITE ALUMINUM PANEL SYSTEM BEYOND
- 31 BACKER ROD AND SEALANT IN COMPOSITE ALUMINUM PANEL JOINTS IN THIS LOCATION ONLY
- 32 COMPOSITE ALUMINUM SPANDREL PANEL WITH FINISH TO MATCH SURROUNDING FRAME
- 33 COMPOSITE ALUMINUM PANEL SYSTEM WITH FLUOROPOLYMER FINISH TO MATCH ALUMINUM COMPOSITE PANEL COLOR
- 34 COMPOSITE ALUMINUM PANEL SYSTEM WITH FLUOROPOLYMER FINISH TO MATCH ALUMINUM COMPOSITE PANEL COLOR
- 35 THERMALLY-BROKEN ALUMINUM STOREFRONT FRAMING SYSTEM WITH BLACK FLUOROPOLYMER FINISH
- 36 TRANSPARENT COMPOSITE FIBERGLASS PANELS WITH ALUMINUM FRAME WITH ALUMINUM COMPOSITE PANEL COLOR
- 37 THERMALLY-BROKEN ALUMINUM STOREFRONT FRAMING SYSTEM WITH FLUOROPOLYMER FINISH TO MATCH ALUMINUM COMPOSITE PANEL COLOR
- 38 THERMALLY-BROKEN ALUMINUM STOREFRONT FRAMING SYSTEM WITH FLUOROPOLYMER FINISH TO MATCH ALUMINUM COMPOSITE PANEL COLOR
- 39 THERMALLY-BROKEN ALUMINUM STOREFRONT FRAMING SYSTEM WITH FLUOROPOLYMER FINISH TO MATCH ALUMINUM COMPOSITE PANEL COLOR
- 40 EXTRUDED ALUMINUM COPING WITH FLUOROPOLYMER FINISH TO MATCH ALUMINUM COMPOSITE PANEL COLOR
- 41 1" INSULATING CLEAR GLAZING WITH LOW-EMISSION COATING
- 42 1" INSULATING GREY TINTED GLAZING WITH LOW-EMISSION COATING
- 43 1" INSULATING GREY TINTED GLAZING WITH LOW-EMISSION COATING
- 44 1" INSULATING GREY TINTED GLAZING WITH LOW-EMISSION COATING
- 45 5/8" GYPSUM BOARD OVER VAPOR BARRIER OVER ROOF INSULATION OVER 2" METAL FURF
- 46 5/8" GYPSUM BOARD - SEE FINISH SCHEDULE FOR FINISHES AND WALL TYPE SCHEDULE FOR PANELED MATERIALS
- 47 5/8" GYPSUM BOARD BEYOND
- 48 SUSPENDED ACOUSTIC CEILING SYSTEM WITH 2'X2' PANELS - SEE FINISH SCHEDULE FOR PANEL TYPES
- 49 3 1/2" TAPERED RESILIENT BASE - SEE SCHEDULE FOR TYPE
- 50 WALL BASE - SEE SCHEDULE FOR TYPE
- 51 STEEL ACOUSTIC LOUVER WITH FLUOROPOLYMER FINISH TO MATCH ALUMINUM COMPOSITE PANEL COLOR
- 52 LABORATORY CASEWORK - SEE ENLARGED PLANS AND ELEVATIONS FOR CONFIGURATION AND DIMENSIONS
- 53 LIGHTWEIGHT CONCRETE TOPPING OVER STRUCTURAL METAL DECK - SLOPE AT 1/4" PER FOOT TO DRAIN AS SHOWN ON ROOF PLAN
- 54 EXPOSED CONCRETE FLOOR SLAB WITH TROWEL FINISH AND CLEAR HARDENED SEALER
- 55 8" HIGH SURFACE-MOUNTED CAST ALUMINUM LETTERS / NUMBERS
- 56 FLOOR FINISH - SEE ROOM FINISH SCHEDULE FOR TYPE
- 57 COMPOSITE DRAINAGE / PROTECTION BOARD WITH INTEGRAL FILTER FABRIC OVER RUBBERIZED ASPHALT WATERPROOFING MEMBRANE - PROVIDE FOUNDATION DRAINS AS SHOWN
- 58 2" DEEP REVEAL IN CONCRETE SURFACE
- 59 3/8" GYPSUM BOARD OVER METAL FRAMING AT 16" ON CENTER
- 60 STRUCTURAL CONCRETE FRAME AND SLAB - SEE STRUCTURAL DRAWINGS FOR DIMENSIONS AND REINFORCING
- 61 EXPOSED STEEL STAIR SYSTEM WITH PAINTED FINISH - FULL STEEL TREAD PANS WITH CONCRETE AND PROVIDE 1 1/2" DIAMETER PIPE HANDRAILS AND GUARDRAILS AT 42" ABOVE FLOOR
- 62 8" DIA. STEEL PIPE HANDRAIL
- 63 1 1/2" DIA. STEEL PIPE HANDRAIL

- 64 LIGHTWEIGHT CONCRETE TOPPING WITH 6X6 10/10 W.W.F.
- 65 7" PLATFORM
- 66 1 1/2" DIA. STEEL PIPE HANDRAIL
- 67 1 1/2" DIA. STEEL PIPE HANDRAIL
- 68 1 1/2" DIA. STEEL PIPE HANDRAIL
- 69 1 1/2" DIA. STEEL PIPE HANDRAIL
- 70 1 1/2" DIA. STEEL PIPE HANDRAIL
- 71 1 1/2" DIA. STEEL PIPE HANDRAIL
- 72 1 1/2" DIA. STEEL PIPE HANDRAIL
- 73 1 1/2" DIA. STEEL PIPE HANDRAIL
- 74 1 1/2" DIA. STEEL PIPE HANDRAIL
- 75 1 1/2" DIA. STEEL PIPE HANDRAIL
- 76 1 1/2" DIA. STEEL PIPE HANDRAIL
- 77 1 1/2" DIA. STEEL PIPE HANDRAIL
- 78 1 1/2" DIA. STEEL PIPE HANDRAIL
- 79 1 1/2" DIA. STEEL PIPE HANDRAIL
- 80 1 1/2" DIA. STEEL PIPE HANDRAIL
- 81 1 1/2" DIA. STEEL PIPE HANDRAIL
- 82 1 1/2" DIA. STEEL PIPE HANDRAIL
- 83 1 1/2" DIA. STEEL PIPE HANDRAIL
- 84 1 1/2" DIA. STEEL PIPE HANDRAIL
- 85 1 1/2" DIA. STEEL PIPE HANDRAIL
- 86 1 1/2" DIA. STEEL PIPE HANDRAIL
- 87 1 1/2" DIA. STEEL PIPE HANDRAIL
- 88 1 1/2" DIA. STEEL PIPE HANDRAIL
- 89 1 1/2" DIA. STEEL PIPE HANDRAIL
- 90 1 1/2" DIA. STEEL PIPE HANDRAIL
- 91 1 1/2" DIA. STEEL PIPE HANDRAIL
- 92 1 1/2" DIA. STEEL PIPE HANDRAIL
- 93 1 1/2" DIA. STEEL PIPE HANDRAIL
- 94 1 1/2" DIA. STEEL PIPE HANDRAIL
- 95 1 1/2" DIA. STEEL PIPE HANDRAIL
- 96 1 1/2" DIA. STEEL PIPE HANDRAIL
- 97 1 1/2" DIA. STEEL PIPE HANDRAIL
- 98 1 1/2" DIA. STEEL PIPE HANDRAIL
- 99 1 1/2" DIA. STEEL PIPE HANDRAIL
- 100 1 1/2" DIA. STEEL PIPE HANDRAIL

REVISIONS		DATE
1		
2		
3		
4		
5		
6		
7		
8		
9		

NORTHERN KENTUCKY UNIVERSITY
NATURAL SCIENCE BUILDING

DRAWING NO. **A-5.13**

DRAWN BY: **JB,VMP,DA**
CHECKED BY: **NWJ**
DATE: **6/99**

Omni Architects

APPROVED FOR PROGRAM CONCEPT ONLY

APPROVED FOR PROGRAM CONCEPT ONLY