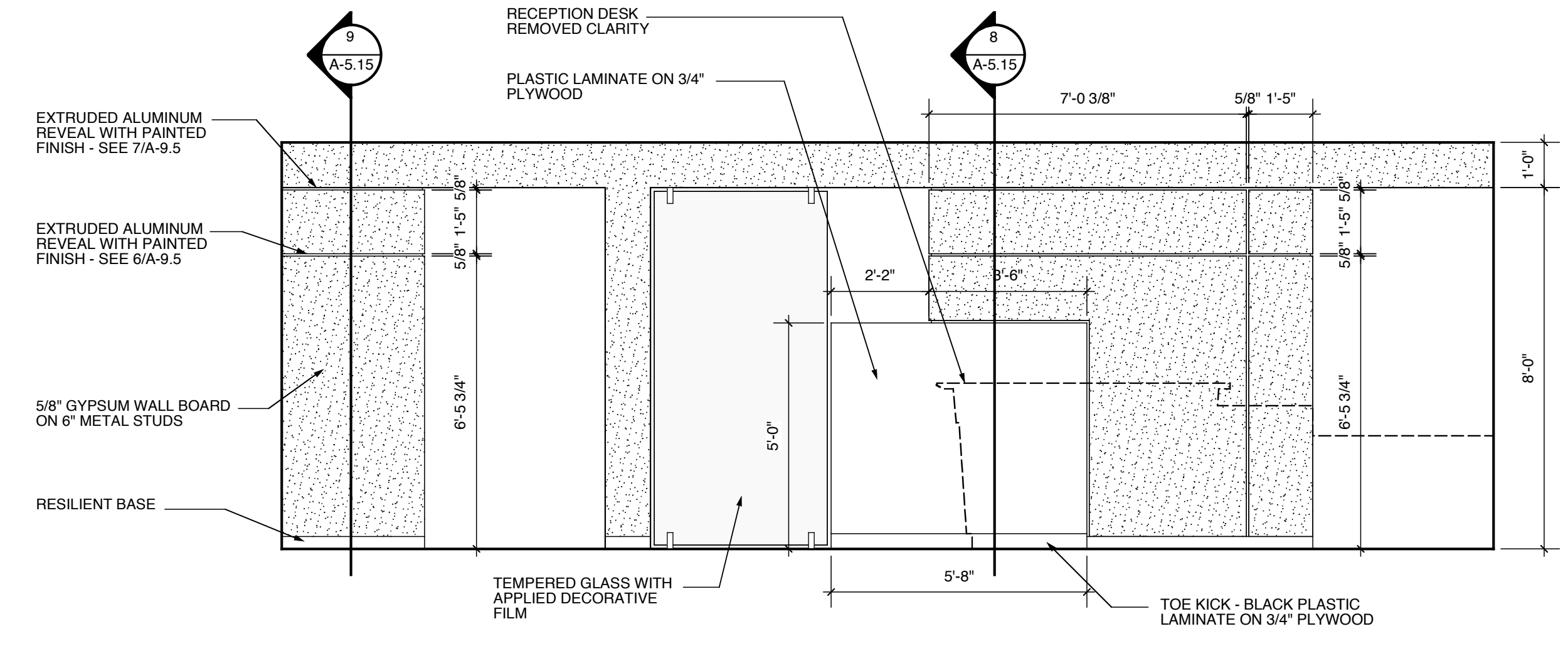
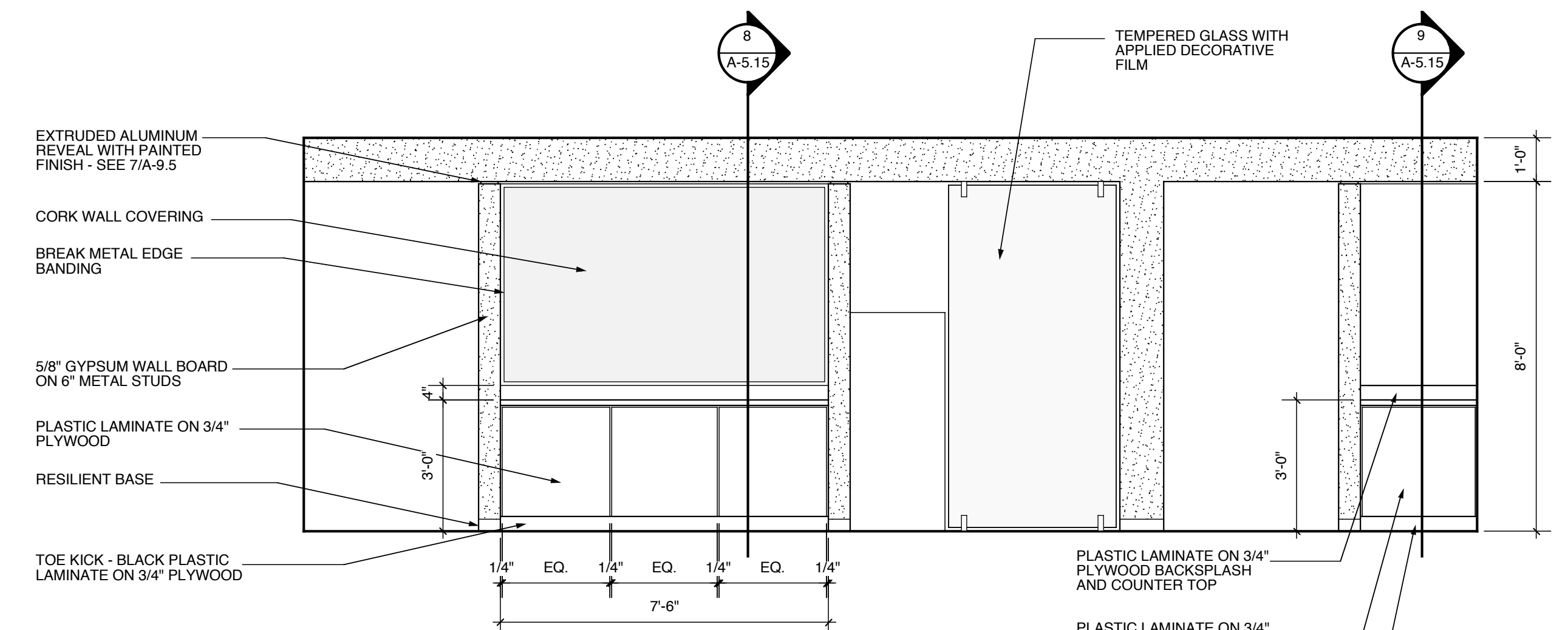


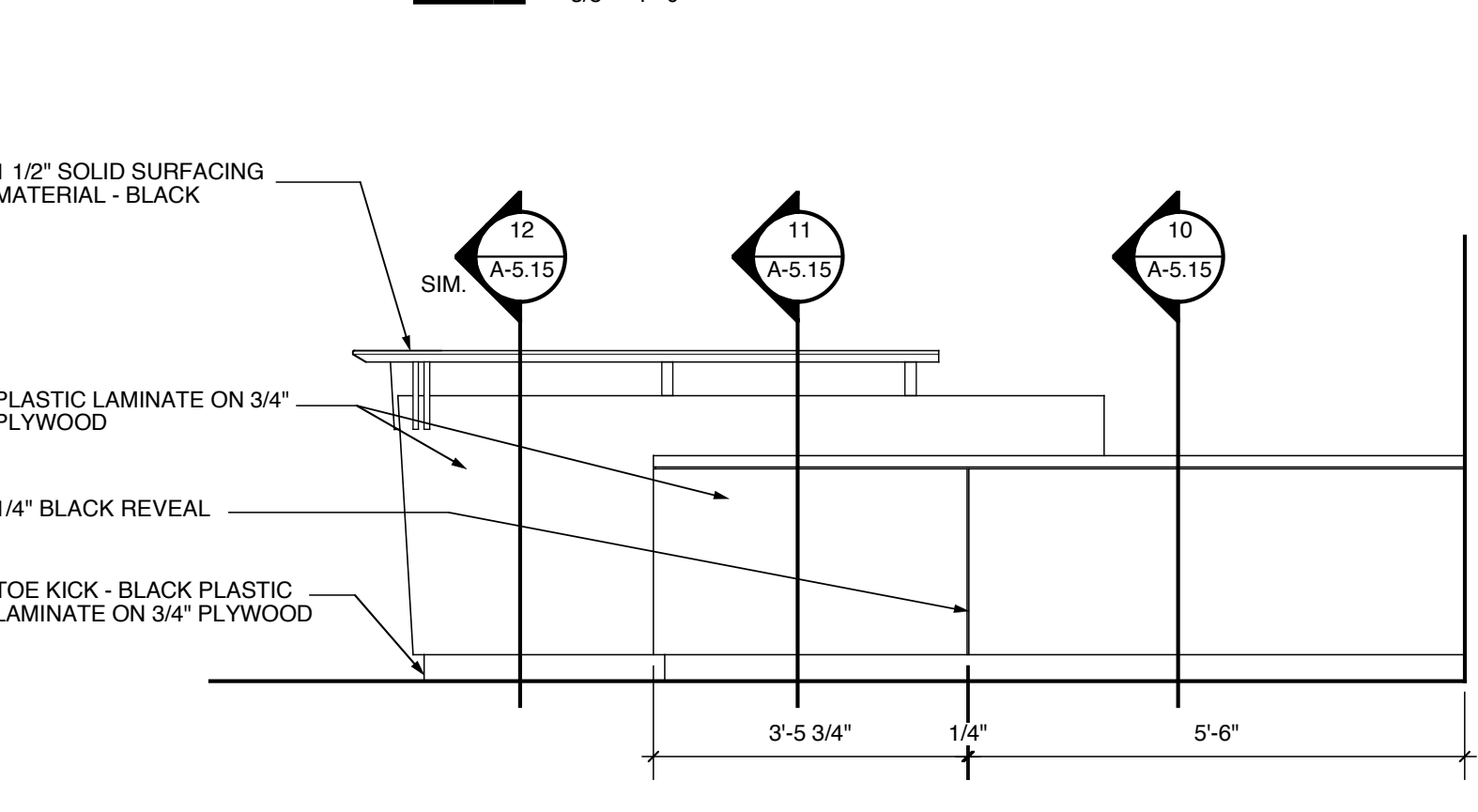
**1 ENLARGED PLAN @ ROOM 204**  
3/8" = 1'-0"



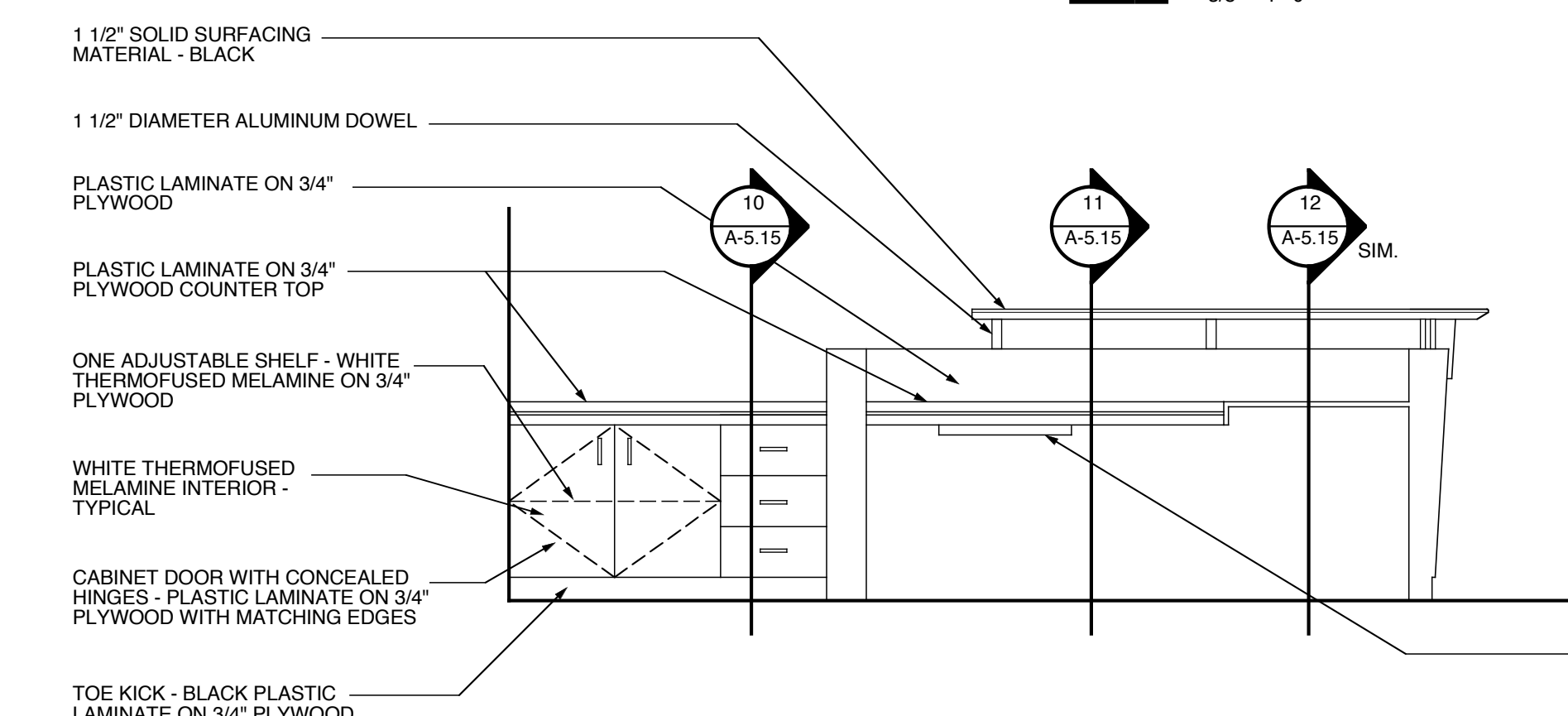
**2 INTERIOR ELEVATION**  
3/8" = 1'-0"



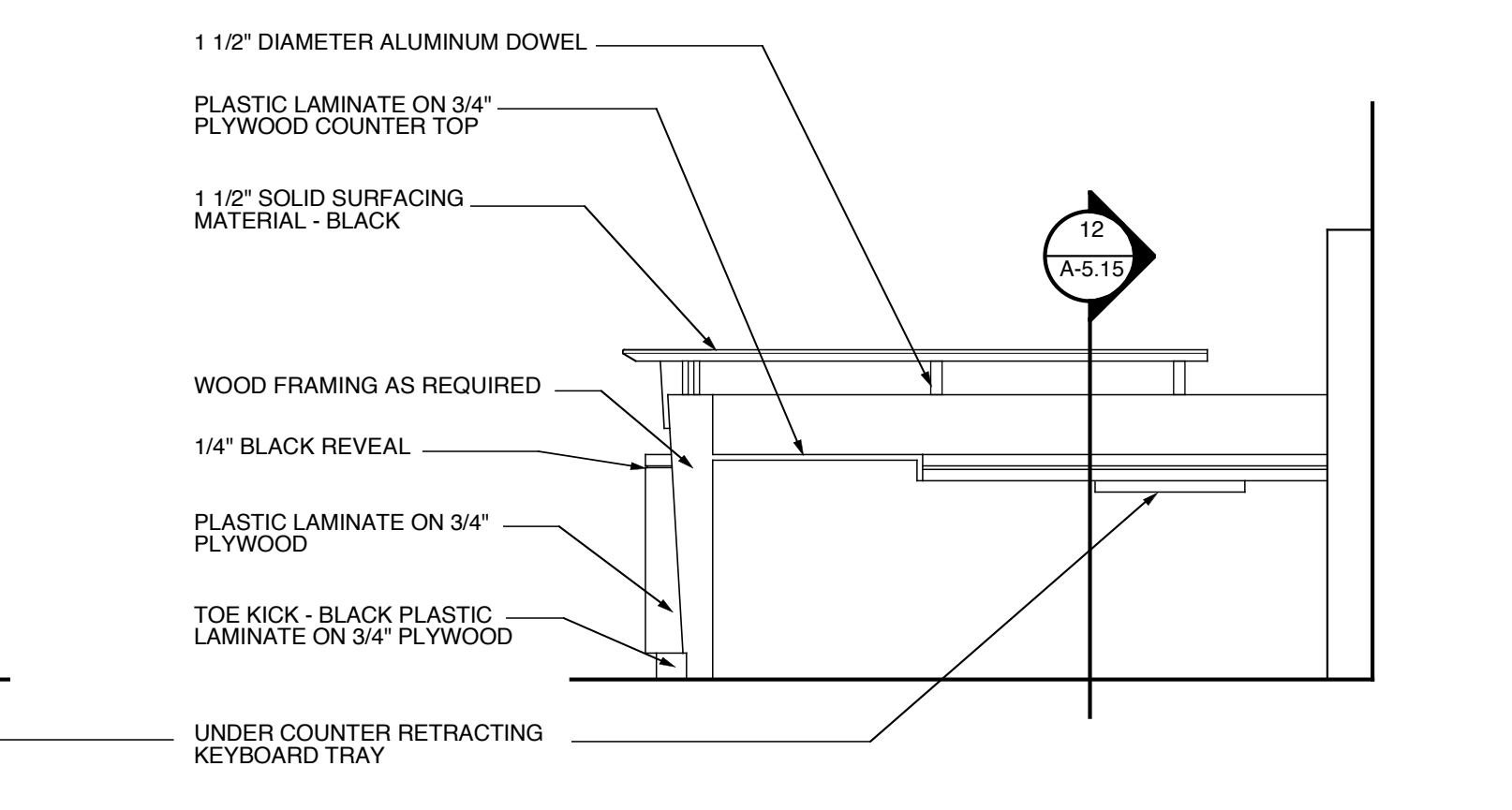
**3 INTERIOR ELEVATION**  
3/8" = 1'-0"



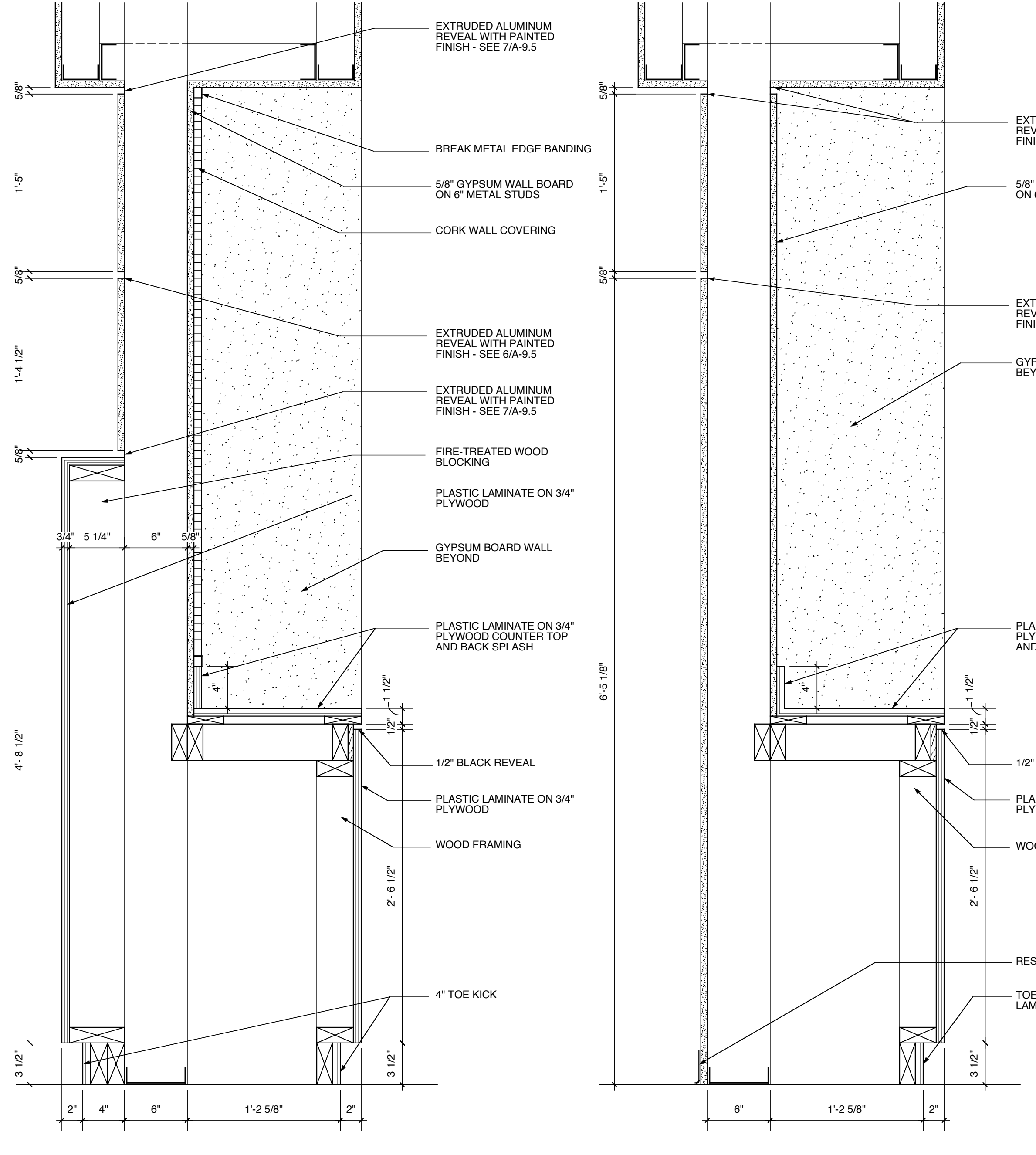
**4 CASEWORK ELEVATION**  
1/2" = 1'-0"



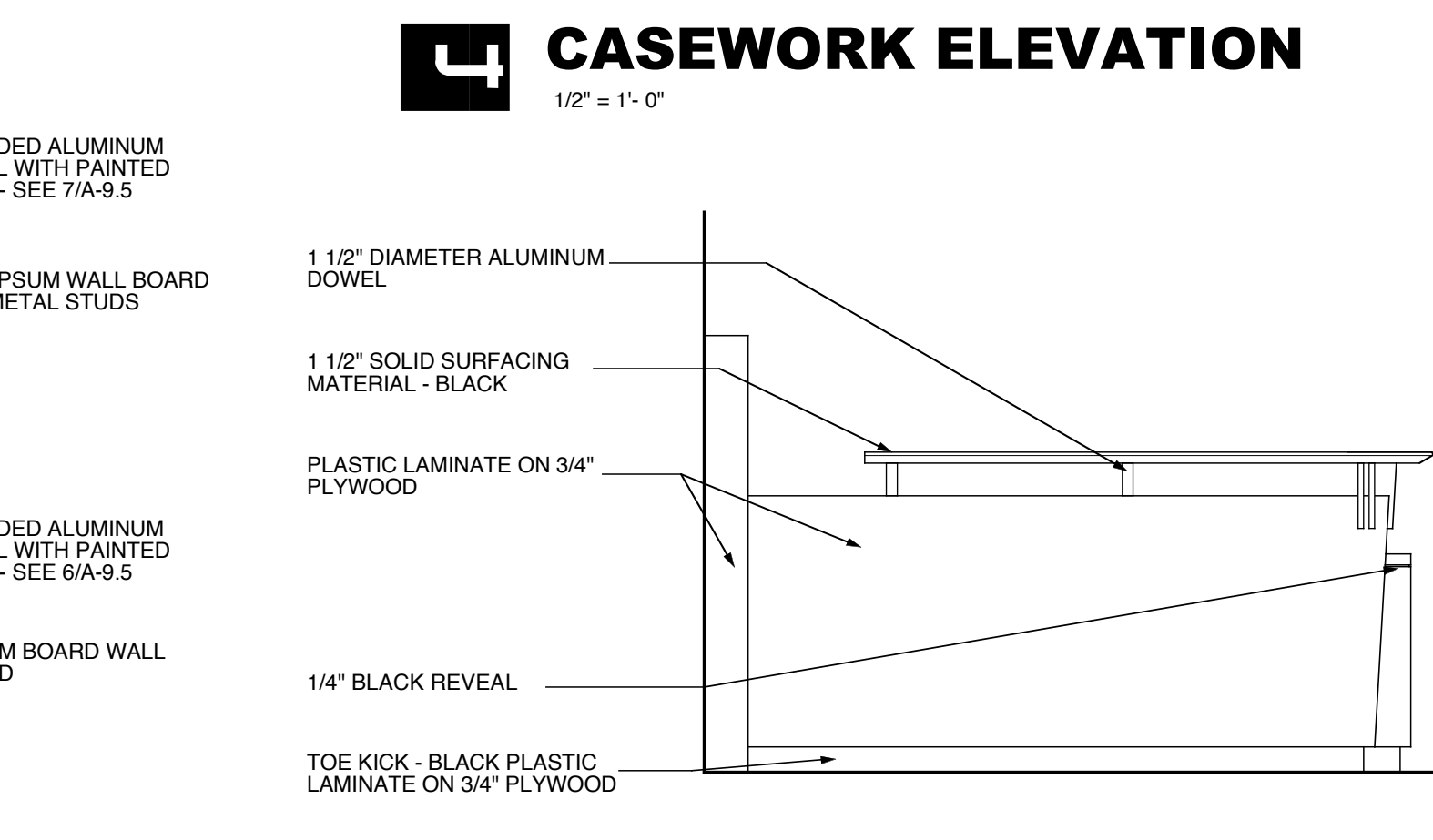
**5 CASEWORK ELEVATION**  
1/2" = 1'-0"



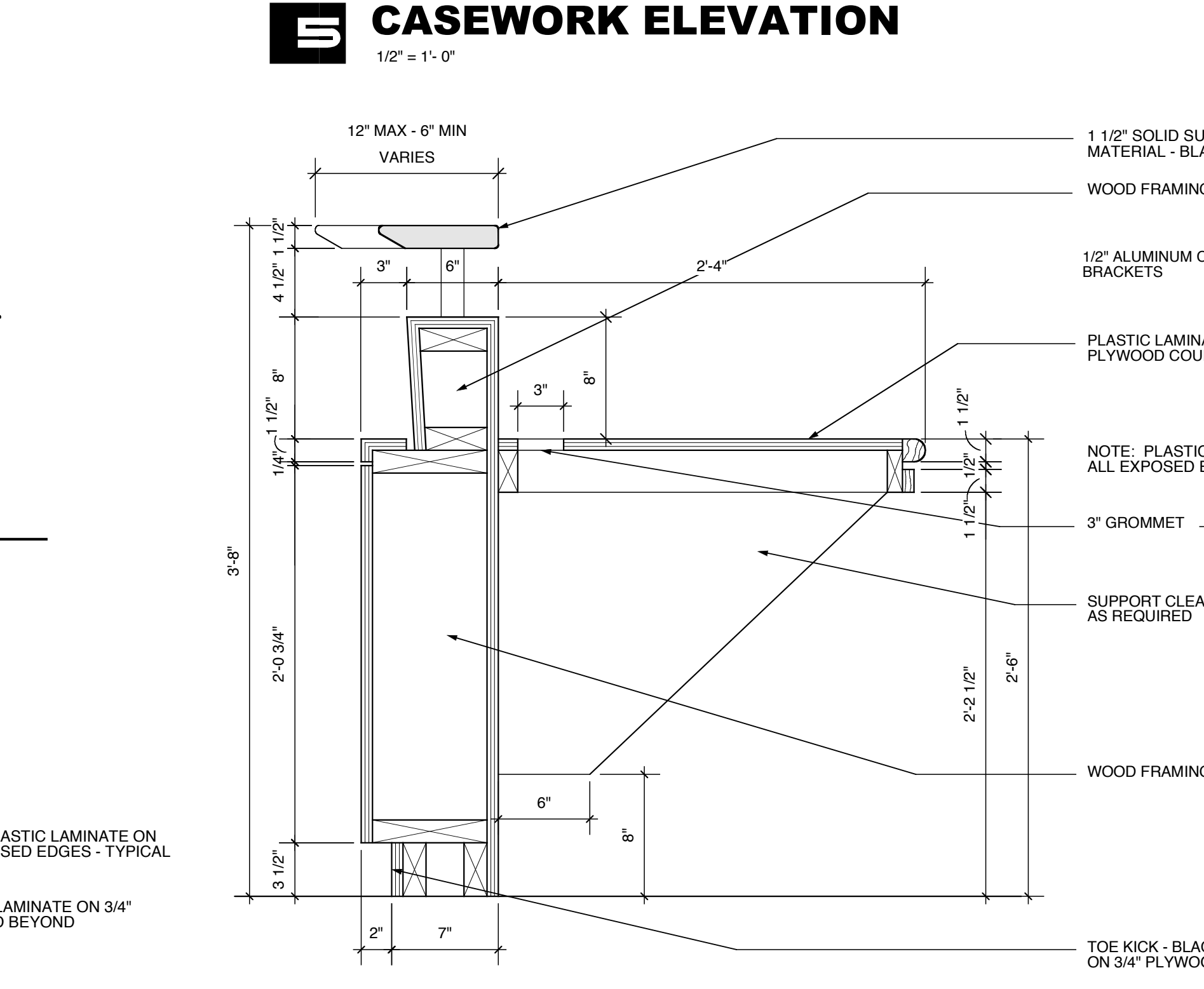
**6 CASEWORK ELEVATION**  
1/2" = 1'-0"



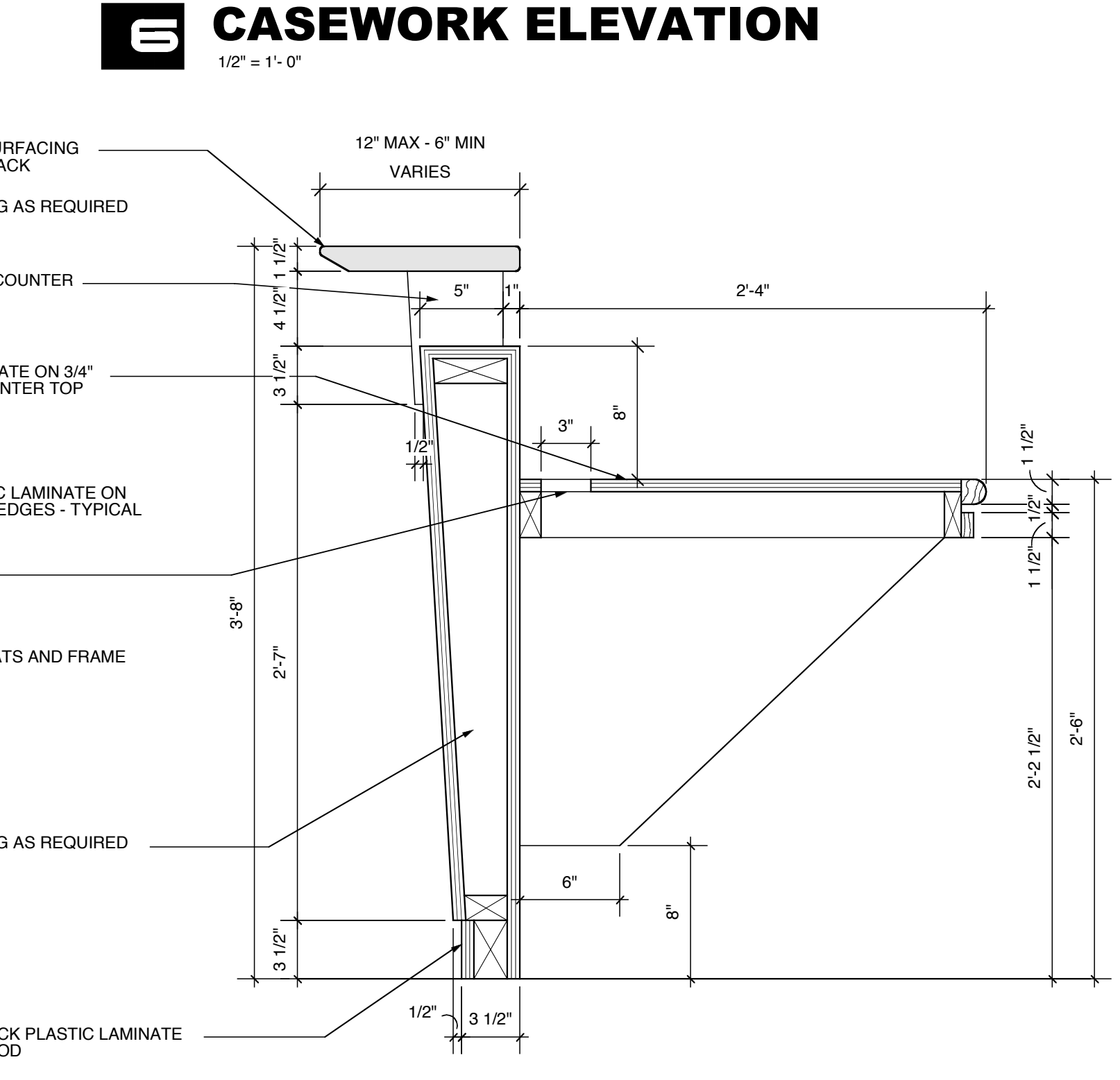
**7 CASEWORK DETAIL**  
1 1/2" = 1'-0"



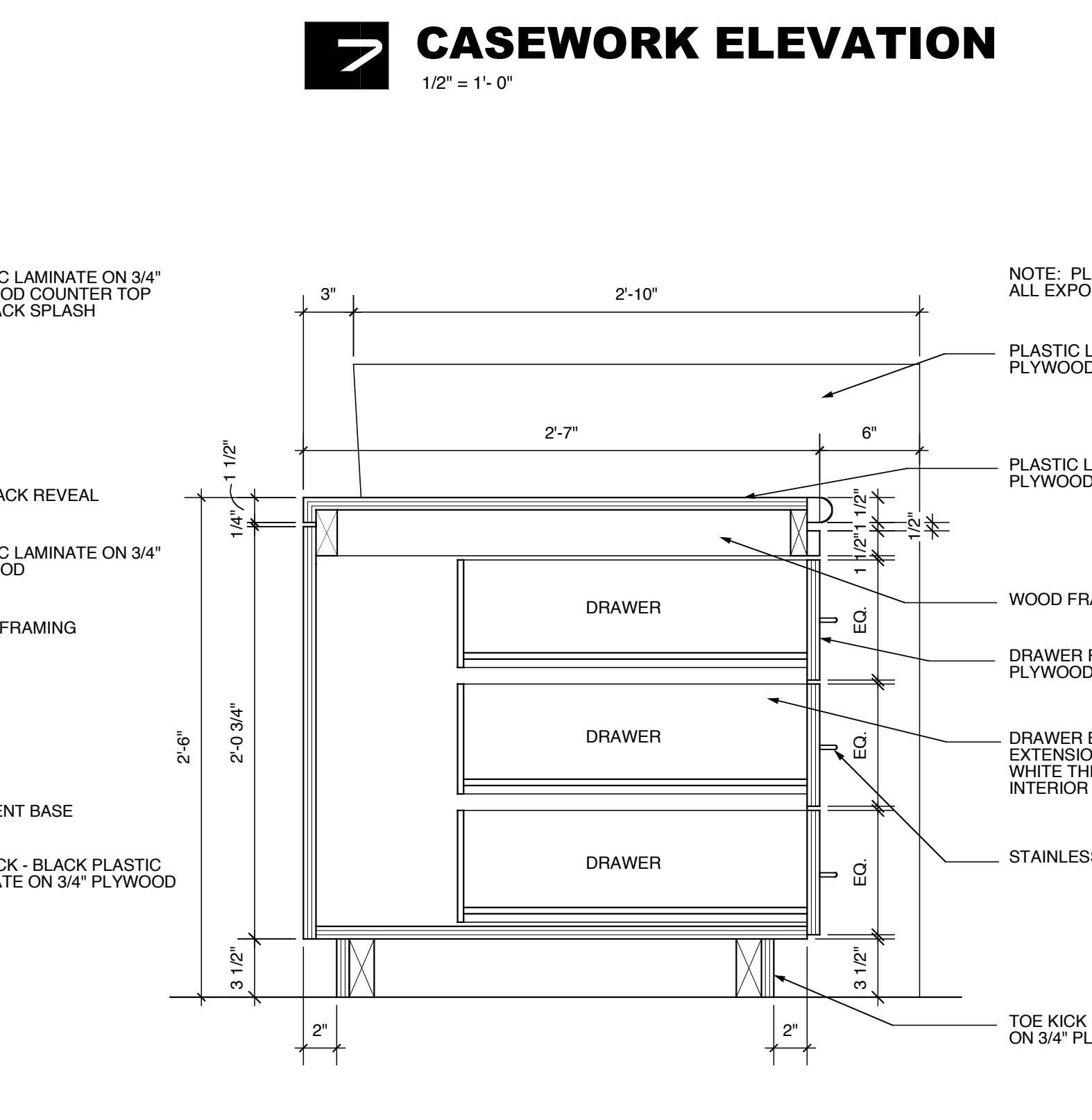
**8 CASEWORK DETAIL**  
1/2" = 1'-0"



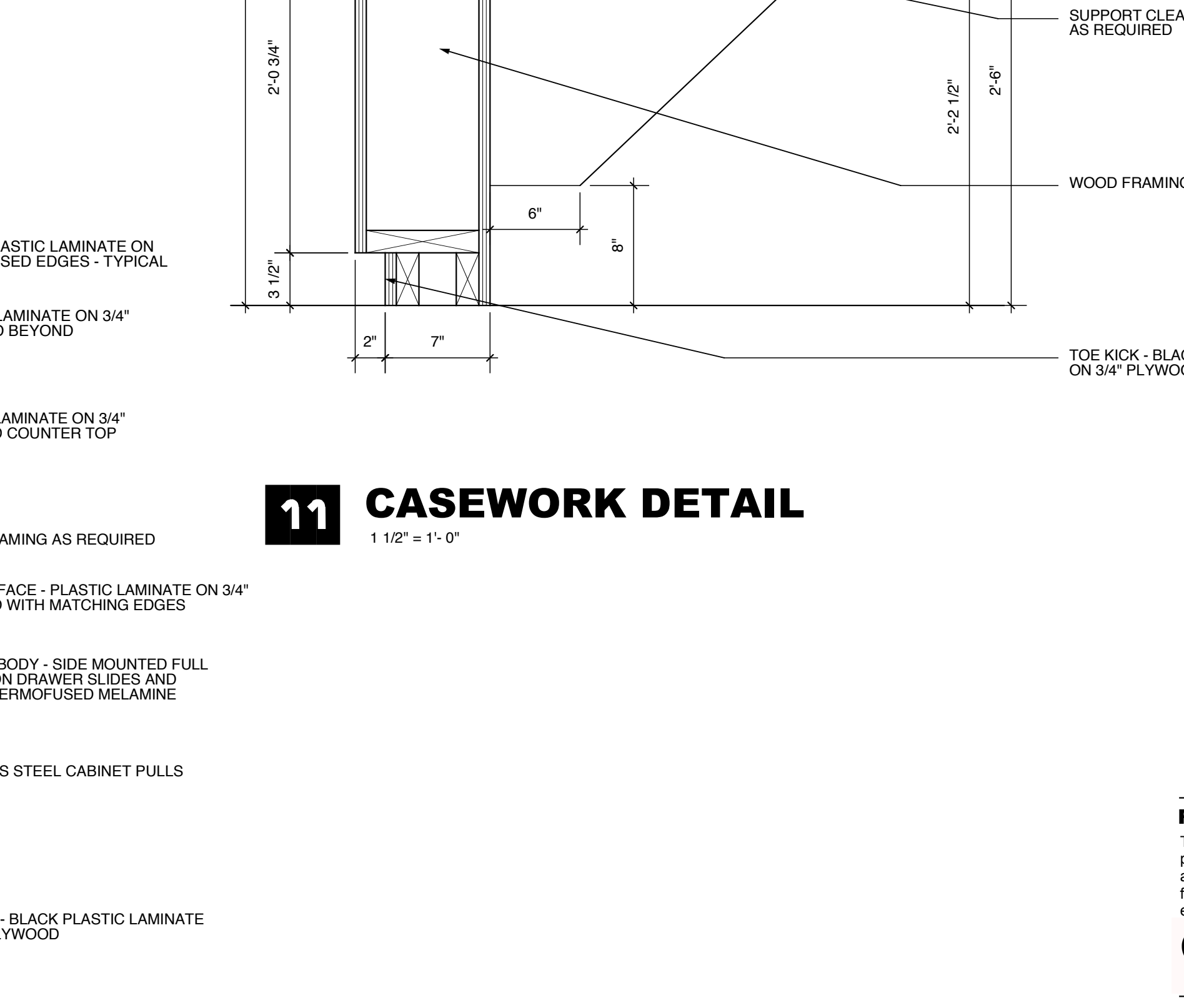
**9 CASEWORK DETAIL**  
1 1/2" = 1'-0"



**10 CASEWORK DETAIL**  
1 1/2" = 1'-0"



**11 CASEWORK DETAIL**  
1 1/2" = 1'-0"



**12 CASEWORK DETAIL**  
1 1/2" = 1'-0"

- 1 STRUCTURAL CONCRETE FOUNDATION - SEE STRUCTURAL DRAWINGS FOR DIMENSIONS, BEARING POINTS AND REINFORCING
- 2 STRUCTURAL CONCRETE SLAB - SEE STRUCTURAL DRAWINGS FOR DIMENSIONS, REINFORCING, AND ENGINEERED FILL
- 3 EXPOSED CAST-IN-PLACE CONCRETE SURFACE - DO NOT PAINT
- 4 EXPOSED CAST-IN-PLACE CONCRETE SURFACE BEYOND
- 5 EXPOSED CAST-IN-PLACE CONCRETE WEARING SLAB OVER RIGID INSULATION OVER MEMBRANE FLASHING OVER STRUCTURAL CONCRETE SLAB
- 6 LIGHTWEIGHT CONCRETE TOPPING OVER STRUCTURAL CONCRETE SLAB - SLOPE AT 1/4" PER FOOT TO DRAIN AS SHOWN ON ROOF PLAN
- 7 EXPOSED CAST-IN-PLACE CONCRETE WITH INTUMESCENT PAINTED FINISH - SEE STRUCTURAL DRAWINGS FOR SIZE AND DIMENSIONS
- 8 EXPOSED STEEL STRUCTURE WITH INTUMESCENT PAINTED FINISH - SEE STRUCTURAL DRAWINGS FOR SIZE AND DIMENSIONS
- 9 EXPOSED STEEL STRUCTURE WITH PAINTED FINISH - SEE STRUCTURAL DRAWINGS FOR SIZE AND DIMENSIONS
- 10 METAL ROOF DECK - SEE STRUCTURAL DRAWINGS FOR DEPTH AND GAUGE
- 11 EXPOSED CAST-IN-PLACE CONCRETE WITH ARCHITECTURAL FINISH AND RUSTICATION JOINTS
- 12 CONCRETE REVEAL FOR SURFACE MOUNTED LIGHT FIXTURE
- 13 CONCRETE MASONRY UNITS WITH HORIZONTAL JOINTS REVEALING AT 16" ON CENTER VERTICALLY - SEE FINISH SCHEDULE FOR FINISH
- 14 EXPOSED STEEL STRUCTURE WITH HORIZONTAL JOINTS REVEALING AT 16" ON CENTER VERTICALLY - SEE STRUCTURAL DRAWINGS FOR SIZE AND DIMENSIONS
- 15 EXPOSED STEEL STRUCTURE WITH PAINTED FINISH - SEE STRUCTURAL DRAWINGS FOR SIZE AND DIMENSIONS
- 16 METAL ROOF DECK - SEE STRUCTURAL DRAWINGS FOR DEPTH AND GAUGE
- 17 STEEL EDGE ANGLE - SEE STRUCTURAL DRAWINGS FOR SIZE AND DIMENSIONS
- 18 16 GAUGE COLD-FORMED METAL STUDS AT 16" ON CENTER
- 19 16 GAUGE COLD-FORMED METAL FRAMING AT 16" ON CENTER
- 20 SECURE EACH COLD-FORMED FRAMING MEMBER TO STEEL STRUCTURE WITH SLIP JOINT FOR DEFLECTION
- 21 SLOPED CONCRETE SURFACE BEYOND
- 22 PROVIDE DOUBLE STUDS AT THIS LOCATION, TYPICAL
- 23 METAL STUDS AT 16" ON CENTER
- 24 METAL FRAMING AT 16" ON CENTER
- 25 EXTERIOR ALUMINUM GUARDRAIL WITH BLACK FLUOROPOLYMER FINISH - 42" HIGH
- 26 BACKER ROD AND SEALANT IN CORNER JOINTS WITH PAINTED FINISH
- 27 HOLLOW METAL DOOR AND FRAME WITH PAINTED FINISH
- 28 FIRE-TREATED WOOD BLOCKING
- 29 SHIM AS REQUIRED AT PERIMETER
- 30 SOLID SURFACING WINDOW
- 31 APPROXIMATE FINISH GRADE - SEE SITE DRAWINGS FOR ELEVATION
- 32 CONCEALED FASTENERS, ALUMINUM MOUNTING TRACKS, AND SHIMS AS REQUIRED - EACH PANEL TO HAVE FLASHING AND WEEP HOLES - DO NOT CALL OR GASKET JOINTS BETWEEN PANELS
- 33 COMPOSITE ALUMINUM PANEL SYSTEM BEYOND
- 34 COMPOSITE ALUMINUM PANEL SYSTEM BEYOND
- 35 BACKER ROD AND SEALANT IN CORNER JOINTS WITH PAINTED FINISH
- 36 EXTRUDED ALUMINUM RASQUAROF EDGE WITH FLUOROPOLYMER FINISH TO MATCH ALUMINUM COMPOSITE PANEL COLOR
- 37 HOT-ASPHALT APPLIED MULTI-PLY SBS MODIFIED BITUMEN ROOFING SYSTEM OVER POLYISOCYANURATE INSULATION BOARD - INSULATION TO BE APPROVED BY ROOFING MANUFACTURER - PROVIDE PROTECTION BOARD WHERE REQUIRED BY ROOFING MANUFACTURER
- 38 SLOPE RIGID INSULATION BOARD AT 1/4" PER FOOT TO DRAIN AS SHOWN ON ROOF PLAN - R-20 AVERAGE
- 39 1/2" UNIFORM THICKNESS RIGID INSULATION BOARD - R-20 MINIMUM
- 40 1/2" GLASSMAT-FACED GYPSUM THERMAL BARRIER BOARD
- 41 THERMALLY-BROKEN ALUMINUM STOREFRONT FRAMING SYSTEM WITH BLACK FLUOROPOLYMER FINISH
- 42 TRANSLUCENT COMPOSITE FIBERGLASS PANEL WITH FINISH TO MATCH ALUMINUM COMPOSITE PANEL COLOR
- 43 THERMALLY-BROKEN ALUMINUM STOREFRONT FRAMING SYSTEM WITH FLUOROPOLYMER FINISH TO MATCH ALUMINUM COMPOSITE PANEL COLOR
- 44 THERMALLY-BROKEN ALUMINUM STOREFRONT FRAMING SYSTEM WITH FLUOROPOLYMER FINISH TO MATCH ALUMINUM COMPOSITE PANEL COLOR
- 45 THERMALLY-BROKEN ALUMINUM STOREFRONT FRAMING SYSTEM WITH FLUOROPOLYMER FINISH TO MATCH ALUMINUM COMPOSITE PANEL COLOR
- 46 THERMALLY-BROKEN ALUMINUM STOREFRONT FRAMING SYSTEM WITH FLUOROPOLYMER FINISH TO MATCH ALUMINUM COMPOSITE PANEL COLOR
- 47 THERMALLY-BROKEN ALUMINUM STOREFRONT FRAMING SYSTEM WITH FLUOROPOLYMER FINISH TO MATCH ALUMINUM COMPOSITE PANEL COLOR
- 48 1" INSULATING CLEAR GLAZING WITH LOW-EMISSIVITY COATING
- 49 1" INSULATING GREY TINTED GLAZING WITH LOW-EMISSIVITY COATING
- 50 5/8" GYPSUM BOARD OVER VAPOR BARRIER OVER RIGID INSULATION OVER 2" METAL FURRING
- 51 5/8" GYPSUM BOARD - SEE FINISH SCHEDULE FOR FINISHES AND WALL TYPE SCHEDULE FOR RATED MATERIALS
- 52 5/8" GYPSUM BOARD BEYOND
- 53 SUSPENDED ACOUSTIC CEILING SYSTEM WITH 2X2 PANELS - SEE FINISH SCHEDULE FOR PANEL TYPES
- 54 3 1/2" TAPERED RESILIENT BASE - SEE SCHEDULE FOR TYPE
- 55 WALL BASE - SEE SCHEDULE FOR TYPE
- 56 STEEL ACOUSTIC LOUVER WITH FLUOROPOLYMER FINISH TO MATCH ALUMINUM COMPOSITE PANEL COLOR
- 57 LABORATORY CASEWORK - SEE ENLARGED PLANS AND ELEVATIONS FOR CONFIGURATION AND DIMENSIONS
- 58 LIGHTWEIGHT CONCRETE TOPPING OVER STRUCTURAL METAL DECK - SLOPE AT 1/4" PER FOOT TO DRAIN AS SHOWN ON ROOF PLAN
- 59 EXPOSED CONCRETE FLOOR SLAB WITH TROWEL FINISH AND CLEAR HARDENER/SEALER
- 60 8" HIGH SURFACE-MOUNTED CAST ALUMINUM LETTERS / NUMBERS
- 61 COMPOSITE DRAINAGE / PROTECTION BOARD WITH INTEGRAL FILTER FABRIC OVER RUBBERIZED ASPHALT WATERPROOFING MEMBRANE - PROVIDE FOUNDATION DRAINS AS SHOWN
- 62 1" DEEP REVEAL IN CONCRETE SURFACE
- 63 5/8" GYPSUM BOARD OVER METAL FRAMING AT 16" ON CENTER
- 64 STRUCTURAL CONCRETE FRAME AND SLAB - SEE STRUCTURAL DRAWINGS FOR DIMENSIONS AND REINFORCING
- 65 EXPOSED STEEL STAIR SYSTEM WITH PAINTED FINISH - FULL STEEL TREAD PANS WITH CONCRETE AND PROVIDE 1 1/2" DIAMETER PIPE HANDRAILS AND GUARDRAILS AT 42" ABOVE FLOOR
- 66 FLOOR FINISH - SEE ROOM FINISH SCHEDULE FOR TYPE

**RECORD DOCUMENTS**  
These Record Documents have been prepared based on information provided by others. The Consultant has not verified the accuracy and/or completeness of this information and shall not be responsible for any errors or omissions that may be incorporated as a result of erroneous information provided by others.

**Omni ARCHITECTS** 12/10/20 DATE

**CASEWORK**  
**A-5.15**

REVISIONS		DATE	NORTHERN KENTUCKY UNIVERSITY	
1			FINANCE AND ADMINISTRATION CABINET	
2			DIVISION OF ENGINEERING	
3			FRANKFORT, KENTUCKY	
4			DRAWING NO. <b>A-5.15</b>	
5			DRAWN BY <b>MMJ</b>	
6			CHECKED BY <b>MMJ</b>	
7			DATE <b>5/99</b>	
8			AGENCY AUTHORIZED AGENT	
9			APPROVED FOR PROGRAM CONCEPT ONLY	