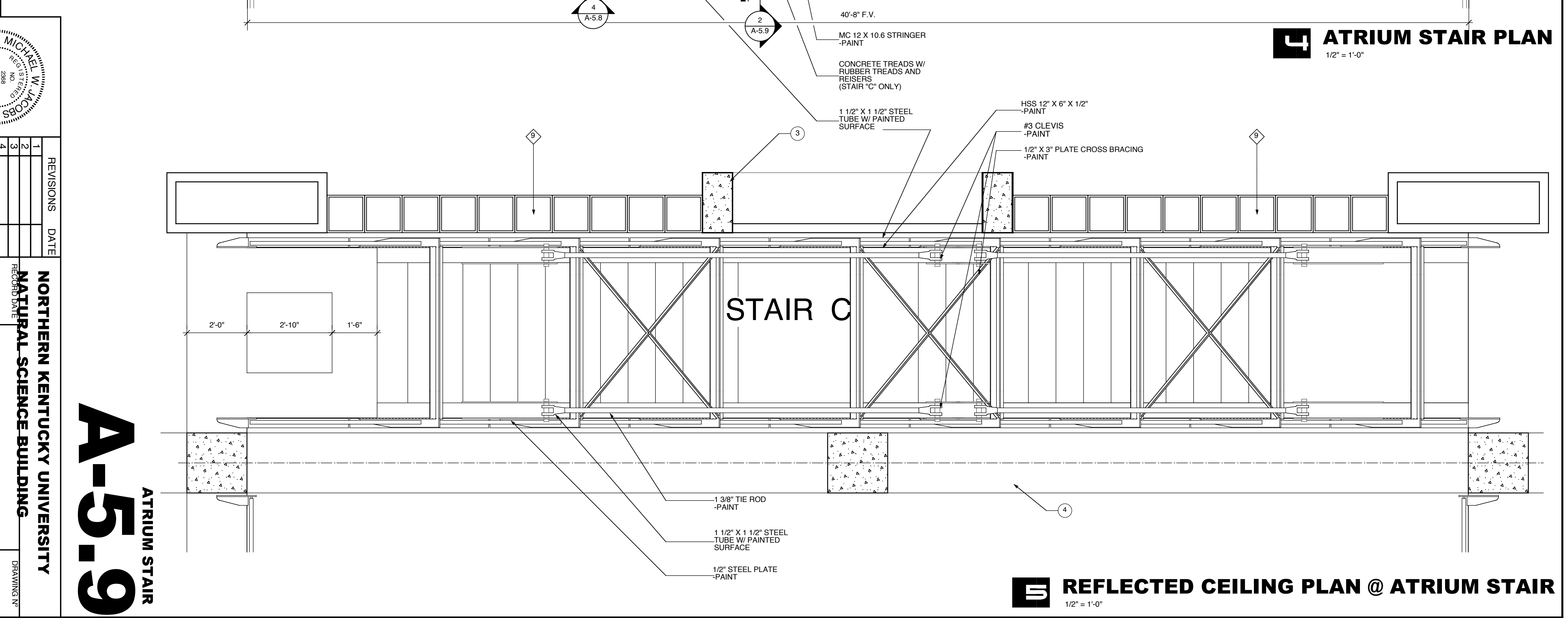
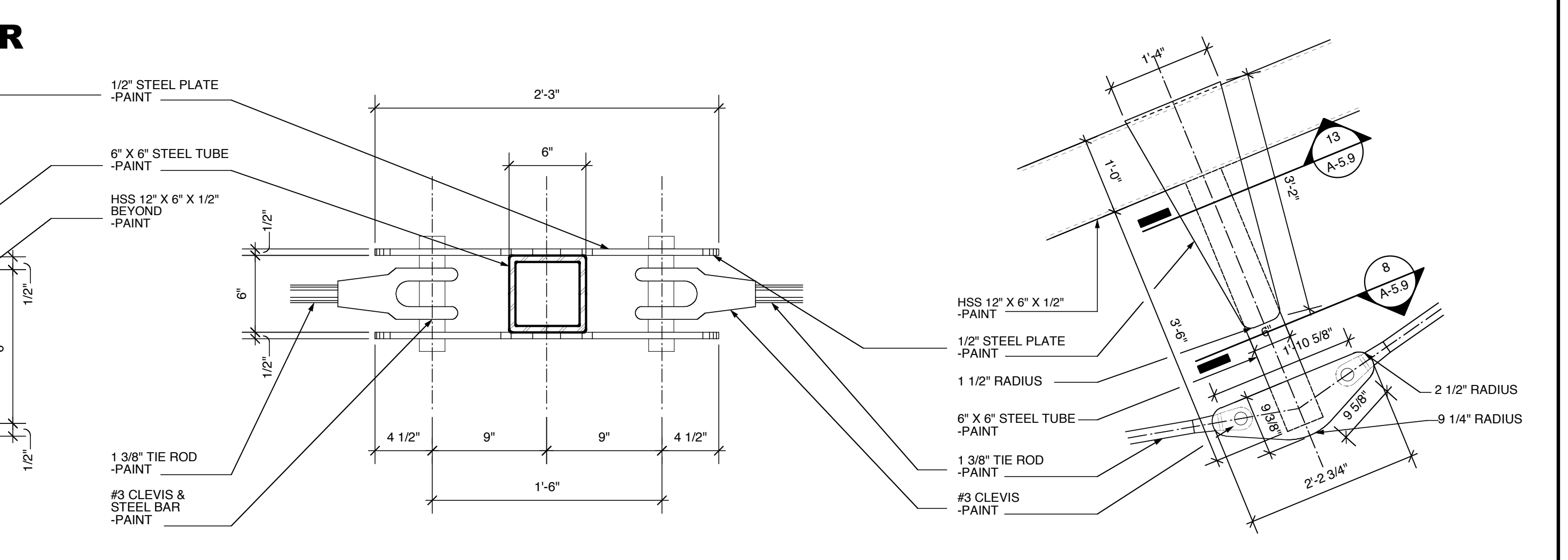
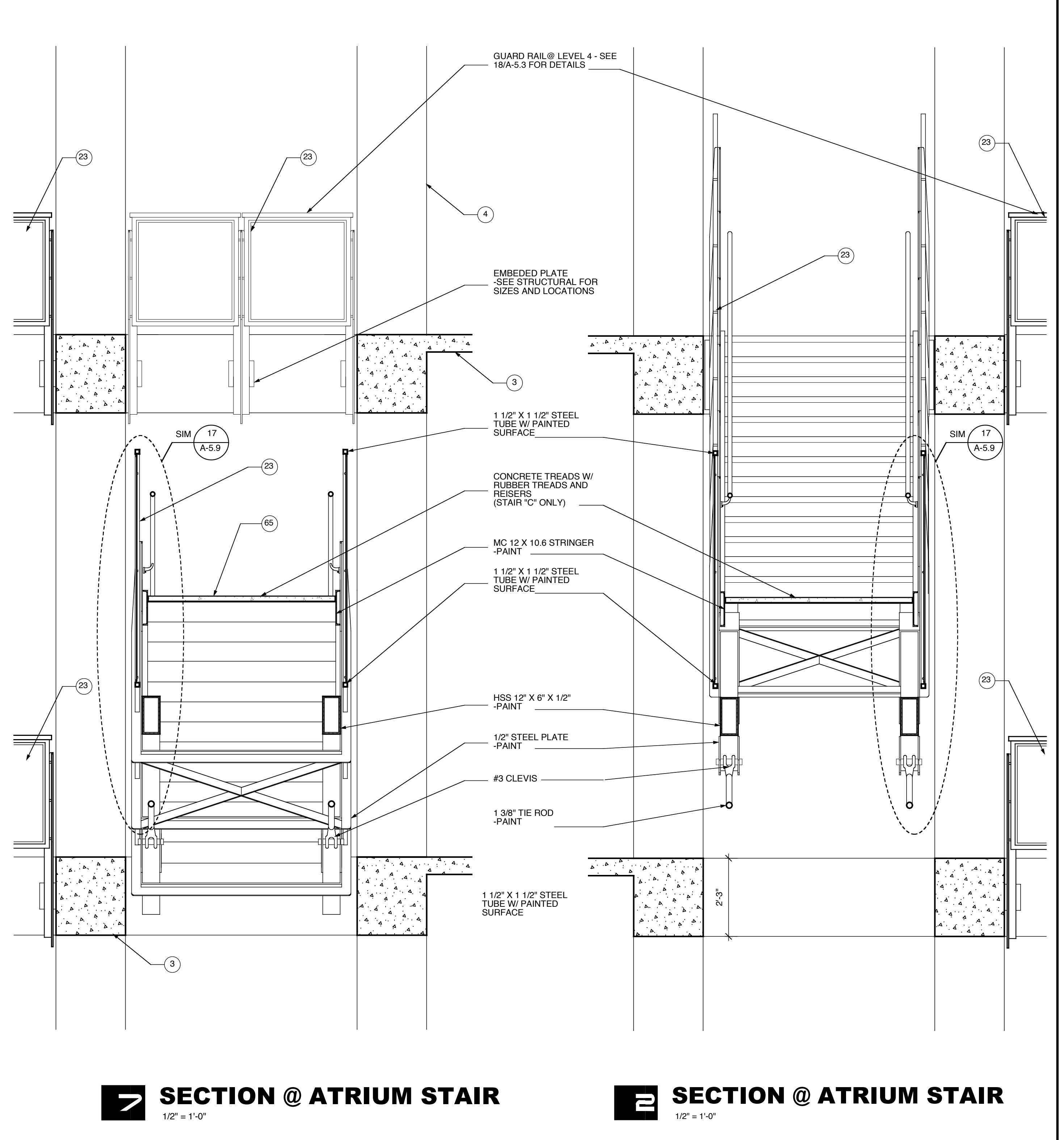
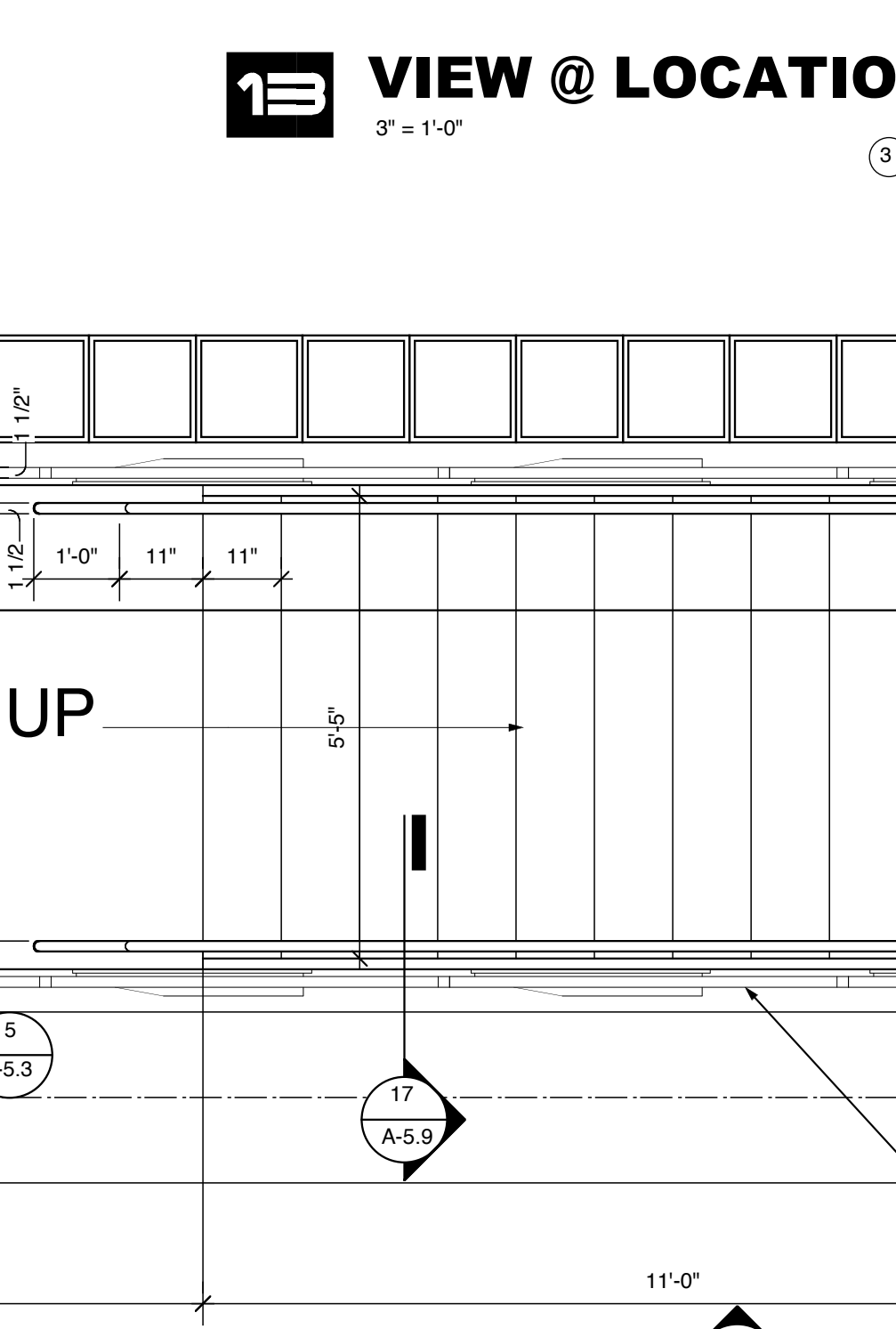
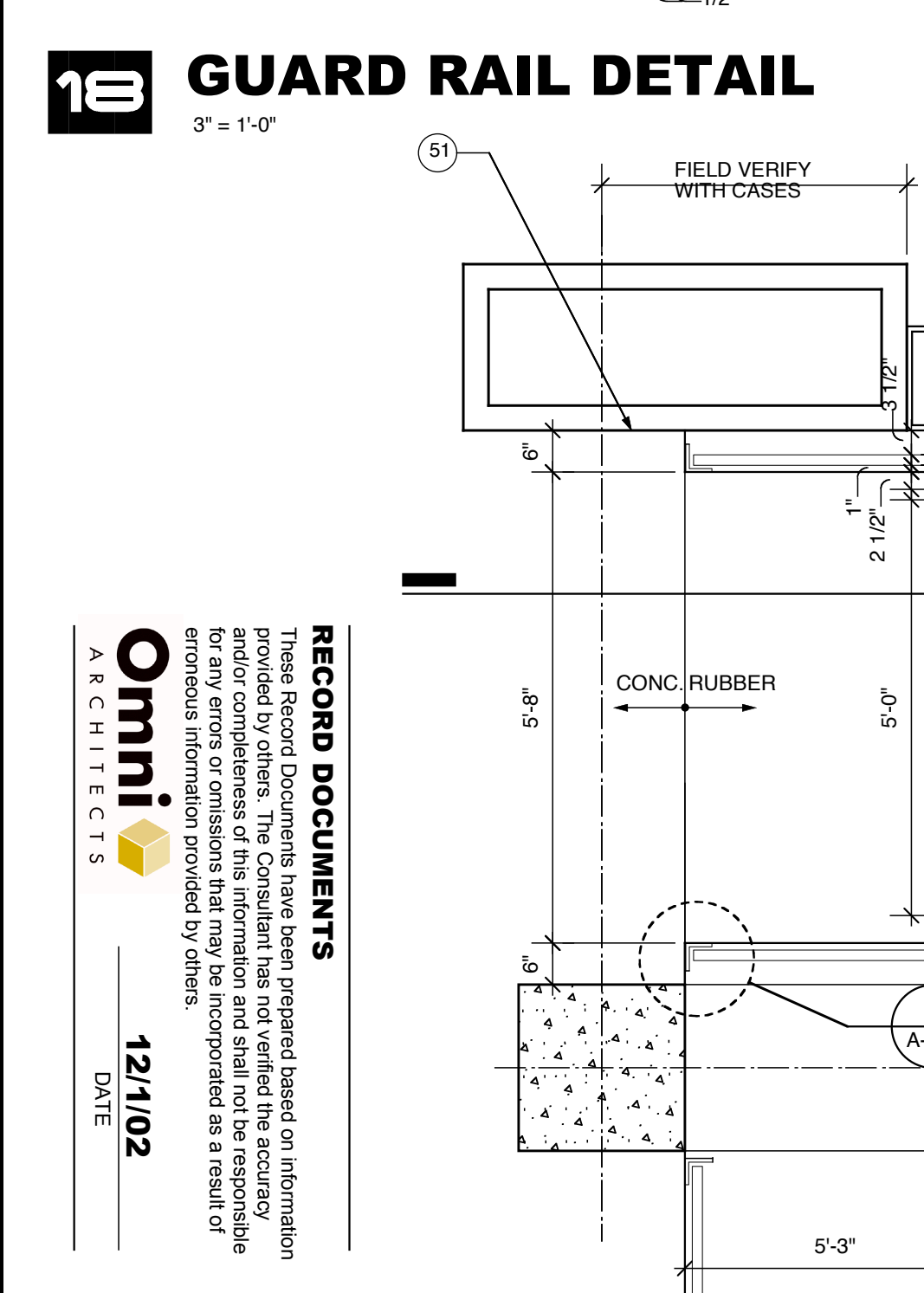
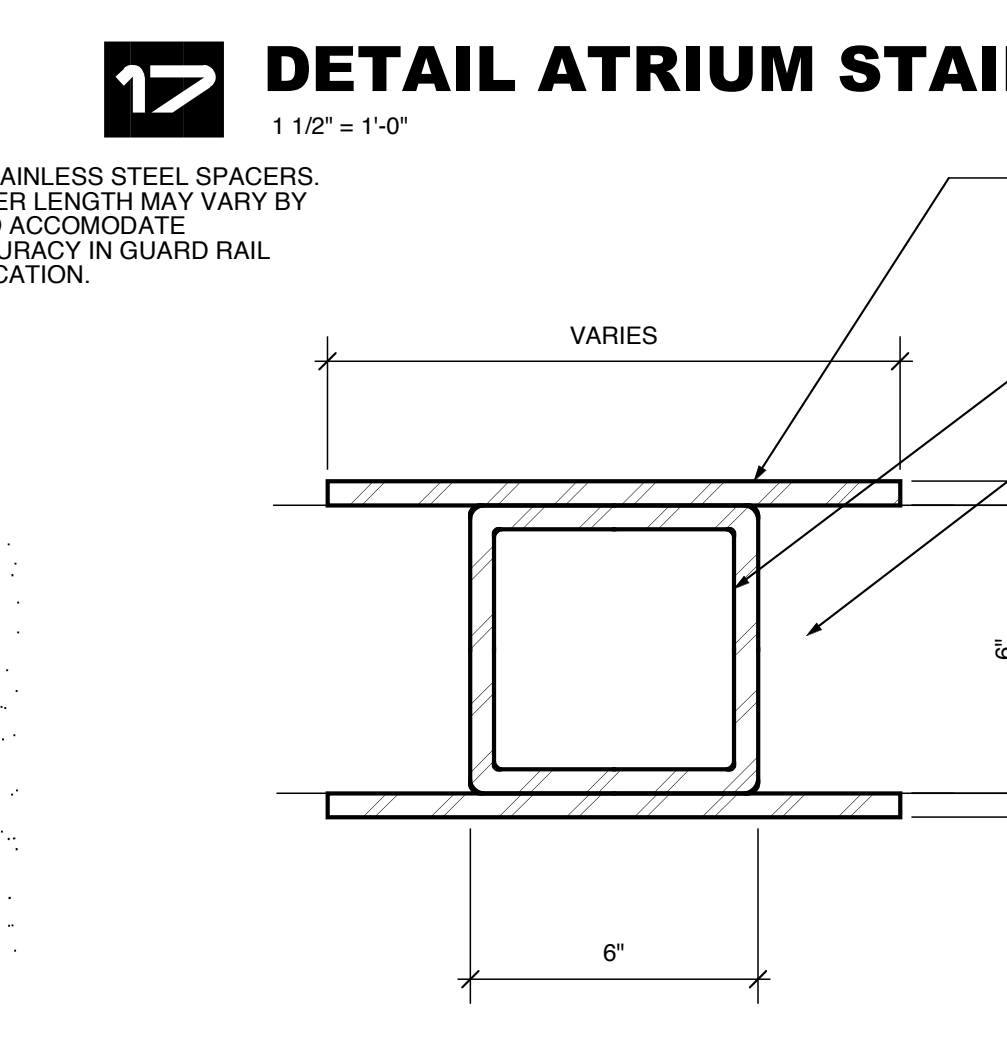
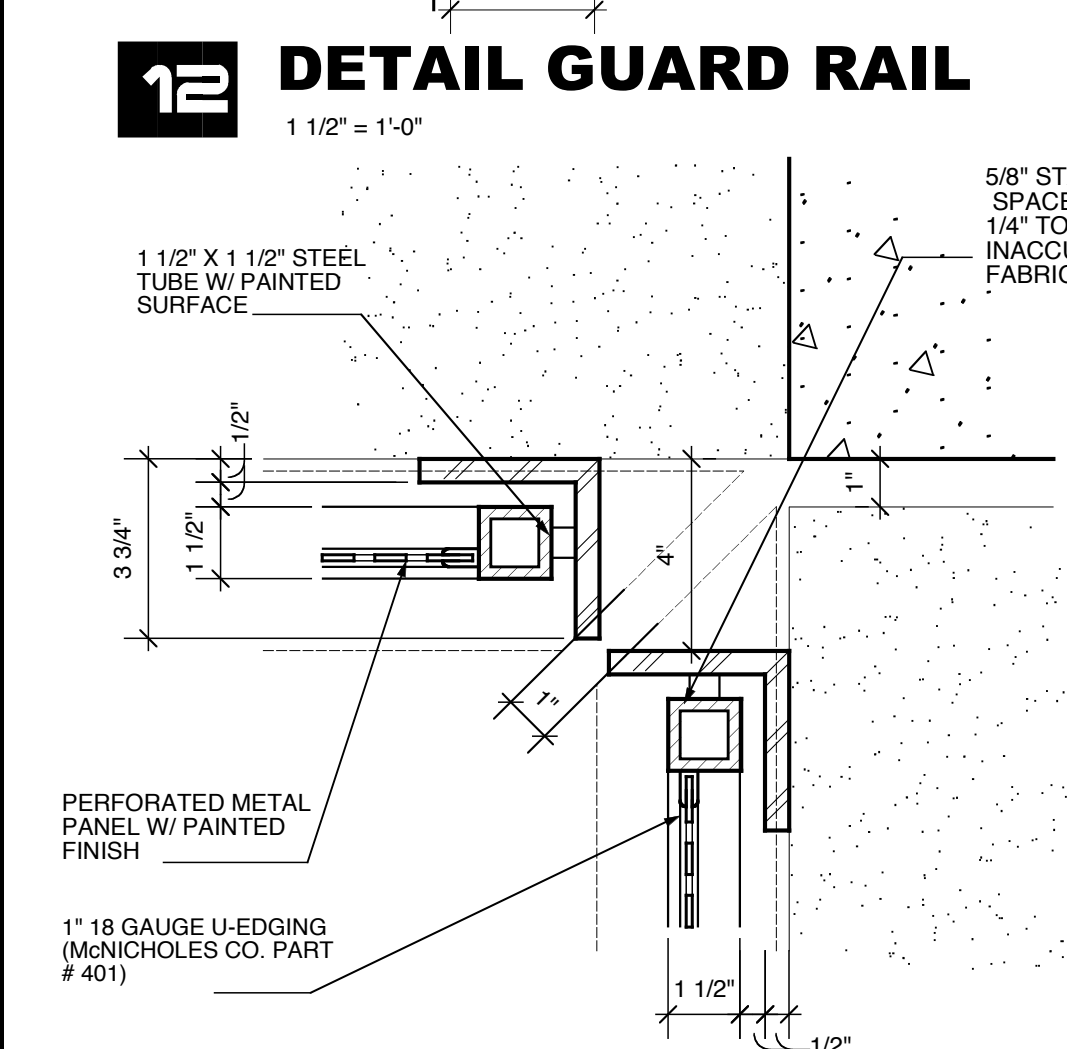
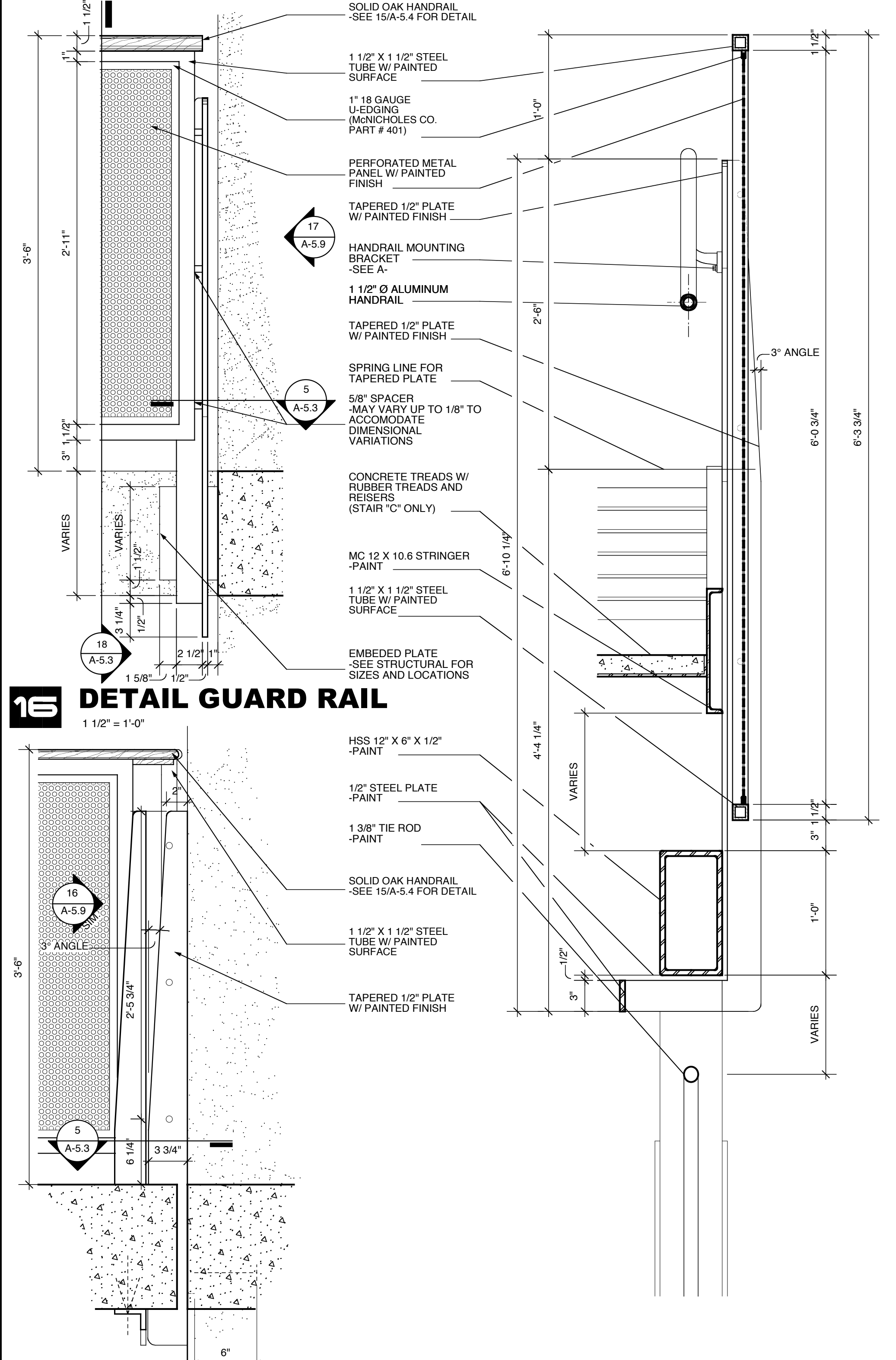


- 1 STRUCTURAL CONCRETE FOUNDATION - SEE STRUCTURAL DRAWINGS FOR DIMENSIONS, BEARING POINTS AND REINFORCING
- 2 STRUCTURAL CONCRETE SLAB - SEE STRUCTURAL DRAWINGS FOR DIMENSIONS, BEARING POINTS AND REINFORCING
- 3 EXPOSED CAST-IN-PLACE CONCRETE SURFACE - DO NOT PAINT
- 4 EXPOSED CAST-IN-PLACE CONCRETE SURFACE BEYOND
- 5 EXPOSED CAST-IN-PLACE CONCRETE WEARING SLAB OVER RIGID INSULATION OVER MEMBRANE FLASHING OVER STRUCTURAL CONCRETE SLAB
- 6 LIGHTWEIGHT CONCRETE TOPPING OVER STRUCTURAL CONCRETE SLAB - SLOPE AT 1/4" PER FOOT TO DRAIN AS SHOWN ON ROOF PLAN
- 7 EXPOSED CAST-IN-PLACE CONCRETE WITH ARCHITECTURAL FINISH AND RUSTICATION JOINTS
- 8 CONCRETE REVEAL FOR SURFACE-MOUNTED LIGHT FIXTURE
- 9 CONCRETE MASONRY UNITS WITH HORIZONTAL JOINT REINFORCING AT 16" ON CENTER VERTICALLY - SEE FINISH SCHEDULE FOR FINISH
- 10 EXPOSED STEEL STRUCTURE WITH INTUMESCENT PAINTED FINISH - SEE STRUCTURAL DRAWINGS FOR SIZE AND DIMENSIONS
- 11 STEEL STRUCTURE - SEE STRUCTURAL DRAWINGS FOR SIZE AND DIMENSIONS
- 12 EXPOSED STEEL STRUCTURE WITH PAINTED FINISH - SEE STRUCTURAL DRAWINGS FOR SIZE AND DIMENSIONS
- 13 METAL ROOF DECK - SEE STRUCTURAL DRAWINGS FOR DEPTH AND GAUGE
- 14 STEEL EDGE GIRDER - SEE STRUCTURAL DRAWINGS FOR SIZE AND DIMENSIONS
- 15 16 GAUGE COLD-FORMED METAL STUDS AT 16" ON CENTER
- 16 16 GAUGE COLD-FORMED METAL FRAMING AT 16" ON CENTER
- 17 SECURE EACH COLD-FORMED FRAMING MEMBER TO STEEL STRUCTURE WITH SIP JOINT FOR CONCRETE SURFACE
- 18 PROVIDE DOUBLE STUDS AT THIS LOCATION, TYPICAL
- 19 METAL STUDS AT 16" ON CENTER
- 20 METAL FRAMING AT 16" ON CENTER
- 21 EXTERIOR ALUMINUM GUARDRAIL WITH BLACK FLUOROPOLYMER FINISH - 42" HIGH
- 22 METAL HANDRAIL / GUARDRAIL WITH PAINTED FINISH
- 23 HOLLOW METAL DOOR AND FRAME WITH PAINTED FINISH
- 24 FIRE-TREATED WOOD BLOCKING
- 25 SHM AS REQUIRED AT PERIMETER
- 26 SOLID SURFACING WINDOW SILL
- 27 APPROXIMATE FINISH GRADE - SEE SITE DRAWINGS FOR ELEVATION
- 28 AIR INFILTRATION BARRIER WITH TAPED JOINTS OVER 1/2" GLASSMATT-FACED EXTERIOR POLYMER SHEATHING ON EXTERIOR FACE OF WALL AND 8 MIL VAPOR BARRIER ON INTERIOR FACE OF WALL - FILL CAVITY WITH BATT INSULATION BACKER ROD AND SEALANT
- 29 BACKER ROD AND SEALANT IN COMPOSITE ALUMINUM PANEL JOINTS IN THIS LOCATION ONLY
- 30 COMPOSITE ALUMINUM SPANDREL PANEL WITH FINISH TO MATCH SURROUNDING FRAME
- 31 COMPOSITE ALUMINUM PANEL SYSTEM WITH FLUOROPOLYMER FINISH (COLOR SELECTED BY ARCHITECT) WITH CONCEALED FASTENERS, ALUMINUM MOUNTING TRACKS, AND SHIMS AS REQUIRED - EACH PANEL TO HAVE FLASHING AND WEEP HOLES - DO NOT CALL OR GASKET JOINTS BETWEEN PANELS
- 32 COMPOSITE ALUMINUM PANEL SYSTEM BEYOND
- 33 COMPOSITE ALUMINUM PANEL COPING WITH FLUOROPOLYMER FINISH TO MATCH ALUMINUM COMPOSITE PANEL COLOR
- 34 EXTRUDED ALUMINUM COPING WITH FLUOROPOLYMER FINISH TO MATCH ALUMINUM COMPOSITE PANEL COLOR
- 35 EXTRUDED ALUMINUM FASCIA ROOF EDGE WITH FLUOROPOLYMER FINISH TO MATCH ALUMINUM COMPOSITE PANEL COLOR
- 36 HOT ASPHALT APPLIED MULTI-PLY SBS MODIFIED BITUMEN ROOFING SYSTEM OVER POLYISOCYANURATE INSULATION BOARD - INSULATION TO BE APPROVED BY ROOFING MANUFACTURER - PROVIDE PROTECTION BOARD WHERE REQUIRED BY ROOFING MANUFACTURER
- 37 SLOPE RIGID INSULATION BOARD AT 1/4" PER FOOT TO DRAIN AS SHOWN ON ROOF PLAN - R-20 MINIMUM
- 38 UNIFORM THICKNESS RIGID INSULATION BOARD - 1/2" MINIMUM
- 39 1/2" GLASSMATT-FACED GYPSUM THERMAL BARRIER BOARD
- 40 THERMALLY-BROKEN ALUMINUM STOREFRONT FRAMING SYSTEM WITH BLACK FLUOROPOLYMER FINISH
- 41 TRANSLUCENT COMPOSITE FIBERGLASS PANELS WITH ALUMINUM FRAME WITH FLUOROPOLYMER FINISH TO MATCH ALUMINUM COMPOSITE PANEL COLOR
- 42 THERMALLY-BROKEN ALUMINUM STOREFRONT FRAMING SYSTEM WITH FLUOROPOLYMER FINISH TO MATCH ALUMINUM COMPOSITE PANEL COLOR
- 43 THERMALLY-BROKEN ALUMINUM CURTAIN WALL FRAMING SYSTEM WITH FLUOROPOLYMER FINISH TO MATCH ALUMINUM COMPOSITE PANEL COLOR
- 44 THERMALLY-BROKEN ALUMINUM SKYLIGHT WITH FLUOROPOLYMER FINISH
- 45 1" INSULATING CLEAR GLAZING WITH LOW-EMISSIVITY COATING
- 46 1" INSULATING GREY TINTED GLAZING WITH LOW-EMISSIVITY COATING
- 47 5/8" GYPSUM BOARD OVER VAPOR BARRIER OVER RIGID INSULATION OVER 2" METAL SURING
- 48 5/8" GYPSUM BOARD - SEE FINISH SCHEDULE FOR FINISHES AND WALL TYPE SCHEDULE FOR RATED MATERIALS
- 49 5/8" GYPSUM BOARD BEYOND
- 50 SUSPENDED ACOUSTIC CEILING SYSTEM WITH 2x2 PANELS - SEE FINISH SCHEDULE FOR PANEL TYPES
- 51 3 1/2" TAPERED RESILIENT BASE - SEE SCHEDULE FOR TYPE
- 52 WALL BASE - SEE SCHEDULE FOR TYPE
- 53 STEEL ACOUSTIC LOUVER WITH FLUOROPOLYMER FINISH TO MATCH ALUMINUM COMPOSITE PANEL COLOR
- 54 LABORATORY CASEWORK - SEE ENLARGED PLANS AND ELEVATIONS FOR CONFIGURATION AND DIMENSIONS
- 55 LIGHTWEIGHT CONCRETE TOPPING OVER STRUCTURAL METAL DECK - SLOPE AT 1/4" PER FOOT TO DRAIN AS SHOWN ON ROOF PLAN
- 56 EXPOSED CONCRETE FLOOR SLAB WITH TROWEL FINISH AND CLEAR HARDENERS / SEALER
- 57 8" HIGH SURFACE-MOUNTED CAST ALUMINUM LETTERS / NUMBERS
- 58 COMPOSITE DRAINAGE / PROTECTION BOARD WITH INTEGRAL FILTER FABRIC OVER RUBBERIZED ASPHALT WATERPROOFING MEMBRANE - PROVIDE FOUNDATION DRAINS AS SHOWN
- 59 1" DEEP REVEAL IN CONCRETE SURFACE
- 60 5/8" GYPSUM BOARD OVER METAL FRAMING AT 16" ON CENTER
- 61 STRUCTURAL CONCRETE FRAME AND SLAB - SEE STRUCTURAL DRAWINGS FOR DIMENSIONS AND REINFORCING
- 62 EXPOSED STEEL STAR SYSTEM WITH PAINTED FINISH - FILL STEEL TREAD PANS WITH CONCRETE AND PROVIDE 1 1/2" DIAMETER PIPE HANDRAILS AND GUARDRAILS AT 42" ABOVE FLOOR FLOOR FINISH - SEE ROOM FINISH SCHEDULE FOR TYPE



**RECORD DOCUMENTS**  
 These record documents have been prepared based on information provided by the contractor. The architect does not warrant the accuracy or completeness of this information and shall not be responsible for any errors or omissions that may be incorporated as a result of reliance on this information by the contractor.

**Omi ARCHITECTS**  
 DATE: 12/1/02

REVISIONS	DATE	DESCRIPTION
1		
2		
3		
4		
5		
6		
7		
8		
9		

**NORTHERN KENTUCKY UNIVERSITY**  
**NATURAL SCIENCE BUILDING**  
**ATRIUM STAIR**  
**A-5.9**

DESIGNED BY: **OMI ARCHITECTS**  
 DRAWN BY: **OMI ARCHITECTS**  
 CHECKED BY: **OMI ARCHITECTS**  
 DATE: **12/1/02**

**12/1/02**