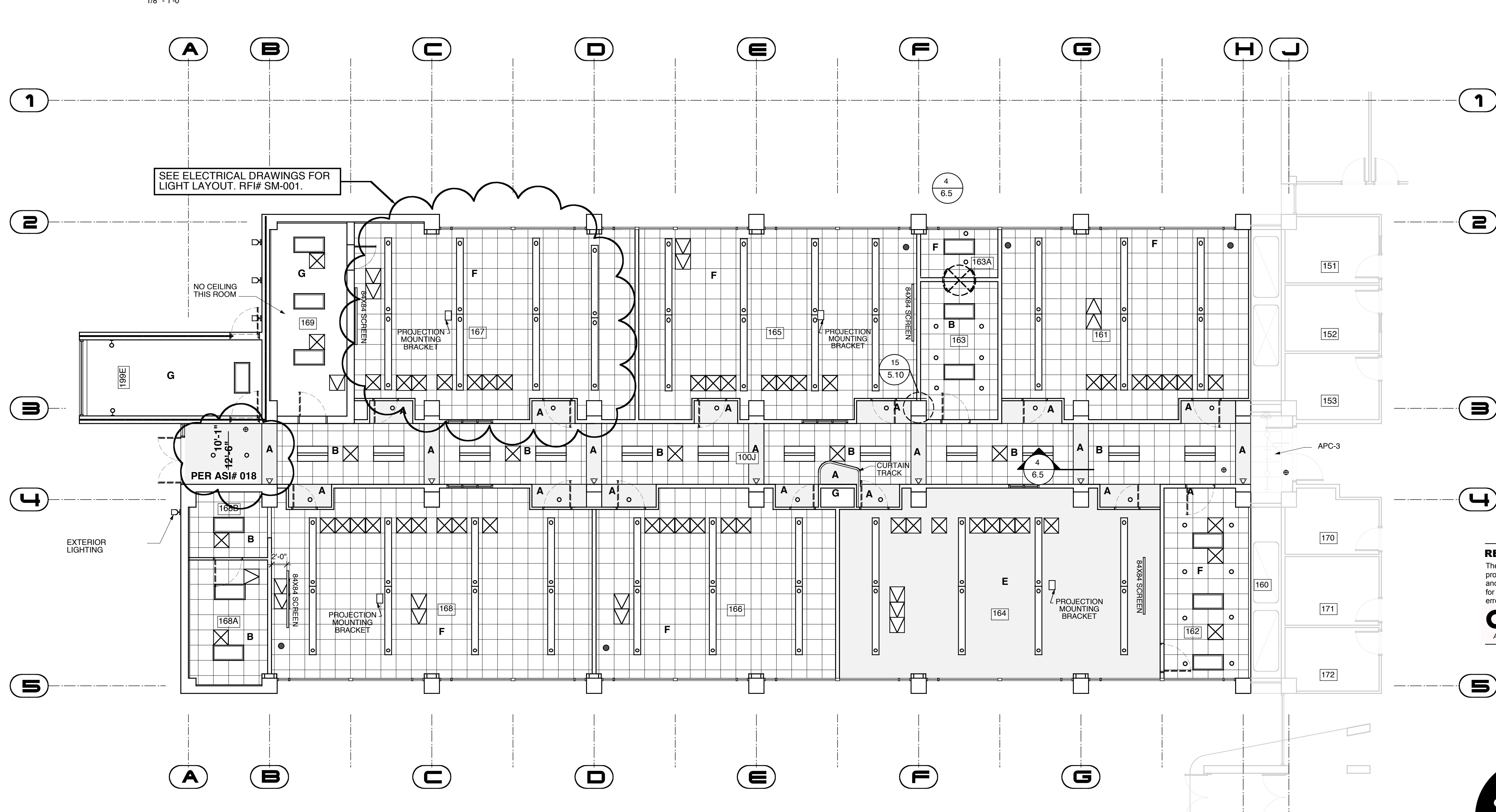


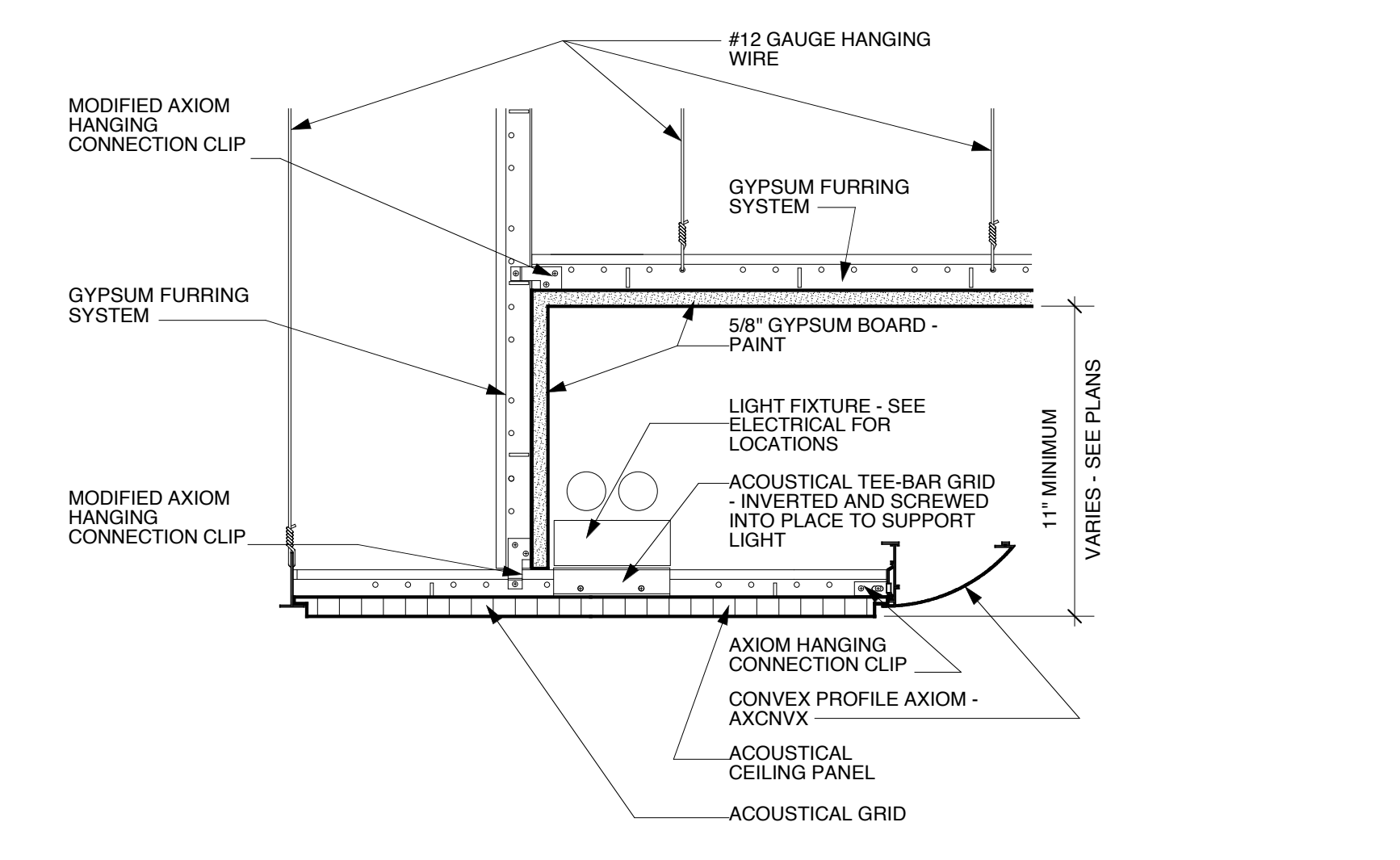
- 1 STRUCTURAL CONCRETE FOUNDATION - SEE STRUCTURAL DRAWINGS FOR DIMENSIONS, BEARING POINTS AND REINFORCING
- 2 STRUCTURAL CONCRETE SLAB - SEE STRUCTURAL DRAWINGS FOR DIMENSIONS, BEARING POINTS AND REINFORCING
- 3 EXPOSED CAST-IN-PLACE CONCRETE SURFACE - DO NOT PAINT
- 4 EXPOSED CAST-IN-PLACE CONCRETE SURFACE BEYOND
- 5 EXPOSED CAST-IN-PLACE CONCRETE WEARING SLAB OVER RIGID INSULATION OVER MEMBRANE FLASHING OVER STRUCTURAL CONCRETE SLAB
- 6 LIGHTWEIGHT CONCRETE TOPPING OVER STRUCTURAL CONCRETE SLAB - SLOPE AT 1/4" PER FOOT TO DRAIN AS SHOWN ON ROOF PLAN
- 7 EXPOSED CAST-IN-PLACE CONCRETE WITH ARCHITECTURAL FINISH AND JUSTIFICATION JOINTS
- 8 CONCRETE REVEAL FOR SURFACE-MOUNTED LIGHT FIXTURE
- 9 CONCRETE MASONRY UNITS WITH HORIZONTAL JOINT REINFORCING AT 16" ON CENTER VERTICALLY - SEE FINISH SCHEDULE FOR FINISH
- 10 EXPOSED STEEL STRUCTURE WITH INTUMESCENT PAINTED FINISH - SEE STRUCTURAL DRAWINGS FOR SIZE AND DIMENSIONS
- 11 STEEL STRUCTURE - SEE STRUCTURAL DRAWINGS FOR SIZE AND DIMENSIONS
- 12 EXPOSED STEEL STRUCTURE WITH PAINTED FINISH - SEE STRUCTURAL DRAWINGS FOR SIZE AND DIMENSIONS
- 13 METAL ROOF DECK - SEE STRUCTURAL DRAWINGS FOR DEPTH AND GAUGE
- 14 STEEL EDGE ANGLE - SEE STRUCTURAL DRAWINGS FOR SIZE AND DIMENSIONS
- 15 16 GAUGE COLD-FORMED METAL STUDS AT 16" ON CENTER
- 16 18 GAUGE COLD-FORMED METAL FRAMING AT 16" ON CENTER
- 17 SECURE EACH COLD-FORMED FRAMING MEMBER TO STEEL STRUCTURE WITH SLIP JOINT OR DEFLECTION
- 18 SLOPED CONCRETE SURFACE
- 19 PROVIDE DOUBLE STUDS AT THIS LOCATION, TYPICAL
- 20 METAL STUDS AT 16" ON CENTER
- 21 METAL FRAMING AT 16" ON CENTER
- 22 EXTERIOR ALUMINUM GUARDRAIL WITH BLACK FLUOROPOLYMER FINISH - 42" HIGH
- 23 METAL HANDRAIL / GUARDRAIL WITH PAINTED FINISH
- 24 HOLLOW METAL DOOR AND FRAME WITH PAINTED FINISH
- 25 FIRE-TREATED WOOD BLOCKING
- 26 SHIM AS REQUIRED AT PERIMETER
- 27 SOLID SURFACING WINDOW SILL
- 28 APPROXIMATE FINISH GRADE - SEE SITE DRAWINGS FOR ELEVATION
- 29 AIR INFILTRATION BARRIER WITH TAPED JOINTS OVER 1/2" GLASSMATT-FACED EXTERIOR GYPSUM SHEATHING ON EXTERIOR FACE OF WALL AND 6 MIL VAPOR BARRIER ON INTERIOR FACE OF WALL - FILL WALL CAVITY WITH BATT INSULATION
- 30 BACKER ROD AND SEALANT
- 31 BACKER ROD AND SEALANT IN COMPOSITE ALUMINUM PANEL JOINTS IN THIS LOCATION ONLY
- 32 COMPOSITE ALUMINUM SPANDREL PANEL WITH FINISH TO MATCH SURROUNDING FRAME
- 33 COMPOSITE ALUMINUM PANEL SYSTEM WITH FLUOROPOLYMER FINISH (COLOR SELECTED BY ARCHITECT) WITH CONCEALED FASTENERS, ALUMINUM MOUNTING TRACKS, AND SHIMS REQUIRED - EACH PANEL TO HAVE FLASHING AND KEEP HOLES - DO NOT CAULK OR GASKET JOINTS BETWEEN PANELS
- 34 COMPOSITE ALUMINUM PANEL SYSTEM BEYOND
- 35 COMPOSITE ALUMINUM PANEL COPING WITH FLUOROPOLYMER FINISH TO MATCH ALUMINUM COMPOSITE PANEL COLOR
- 36 EXTRUDED ALUMINUM COPING WITH FLUOROPOLYMER FINISH TO MATCH ALUMINUM COMPOSITE PANEL COLOR
- 37 EXTRUDED ALUMINUM FASCIA/ROOF EASE WITH FLUOROPOLYMER FINISH TO MATCH ALUMINUM COMPOSITE PANEL COLOR
- 38 HOT ASPHALT APPLIED MULTIPLE SBS MODIFIED BITUMEN ROOFING SYSTEM OVER POLYISOCYANURATE INSULATION BOARD - INSTALLATION TO BE DONE BY ROOFING MANUFACTURER - PROVIDE PROTECTION BOARD WHERE REQUIRED BY ROOFING MANUFACTURER
- 39 SLOPE RIGID INSULATION BOARD AT 1/4" PER FOOT TO DRAIN AS SHOWN ON ROOF PLAN - R-20 AVERAGE
- 40 UNIFORM THICKNESS RIGID INSULATION BOARD - R-20 MINIMUM
- 41 1/2" GLASSMATT-FACED GYPSUM THERMAL BARRIER BOARD
- 42 THERMALLY-BROKEN ALUMINUM STOREFRONT FRAMING SYSTEM WITH BLACK FLUOROPOLYMER FINISH
- 43 TRANSLUCENT COMPOSITE FIBERGLASS PANELS WITH ALUMINUM FRAME WITH FLUOROPOLYMER FINISH TO MATCH ALUMINUM COMPOSITE PANEL COLOR
- 44 THERMALLY-BROKEN ALUMINUM STOREFRONT FRAMING SYSTEM WITH FLUOROPOLYMER FINISH TO MATCH ALUMINUM COMPOSITE PANEL COLOR
- 45 THERMALLY-BROKEN ALUMINUM CURTAINWALL FRAMING SYSTEM WITH FLUOROPOLYMER FINISH TO MATCH ALUMINUM COMPOSITE PANEL COLOR
- 46 THERMALLY-BROKEN ALUMINUM SKYLIGHT WITH FLUOROPOLYMER FINISH
- 47 INSULATING CLEAR GLAZING WITH LOW-EMISSIVITY COATING
- 48 1" INSULATING GREY TINTED GLAZING WITH LOW-EMISSIVITY COATING
- 49 5/8" GYPSUM BOARD OVER VAPOR BARRIER OVER RIGID INSULATION OVER METAL FURRING
- 50 5/8" GYPSUM BOARD - SEE FINISH SCHEDULE FOR FINISHES AND WALL TYPE SCHEDULE FOR RATED MATERIALS
- 51 5/8" GYPSUM BOARD BEYOND
- 52 SUSPENDED ACOUSTIC CEILING SYSTEM WITH 2'x2' PANELS - SEE FINISH SCHEDULE FOR PANEL TYPES
- 53 3/4" TAPERED RESILIENT BASE - SEE SCHEDULE FOR TYPE
- 54 WALL BASE - SEE SCHEDULE FOR TYPE
- 55 STEEL ACOUSTIC LOUVER WITH FLUOROPOLYMER FINISH TO MATCH ALUMINUM COMPOSITE PANEL COLOR
- 56 LABORATORY CASEWORK - SEE FINISH SCHEDULE FOR FINISHES AND DIMENSIONS FOR CONFIGURATION AND DIMENSIONS
- 57 LIGHTWEIGHT CONCRETE TOPPING OVER STRUCTURAL METAL DECK SLOPE AT 1/4" PER FOOT TO DRAIN AS SHOWN ON ROOF PLAN
- 58 EXPOSED CONCRETE FLOOR SLAB WITH TROWEL FINISH AND CLEAR HARDENER / SEALER
- 59 2" HIGH SURFACE-MOUNTED CAST ALUMINUM LETTERS / NUMBERS
- 60 COMPOSITE DRAINAGE / PROTECTION SCHEM WITH INTEGRAL FILTER FABRIC OVER RUBBERIZED ASPHALT WATERPROOFING MEMBRANE - PROVIDES FOUNDATION DRAINS AS SHOWN
- 61 1" DEEP REVEAL IN CONCRETE SURFACE
- 62 5/8" GYPSUM BOARD OVER METAL FRAMING AT 16" ON CENTER
- 63 STRUCTURAL CONCRETE FRAME AND SLAB - SEE STRUCTURAL DRAWINGS FOR DIMENSIONS AND REINFORCING
- 64 EXPOSED STEEL STAIR SYSTEM WITH PAINTED FINISH - FILL STEEL TREAD PANS WITH CONCRETE AND PROVIDE 1/2" DIAMETER PIPE HANDRAILS AND GUARDRAILS AT 42" ABOVE FLOOR
- 65 FLOOR FINISH - SEE ROOM FINISH SCHEDULE FOR TYPE



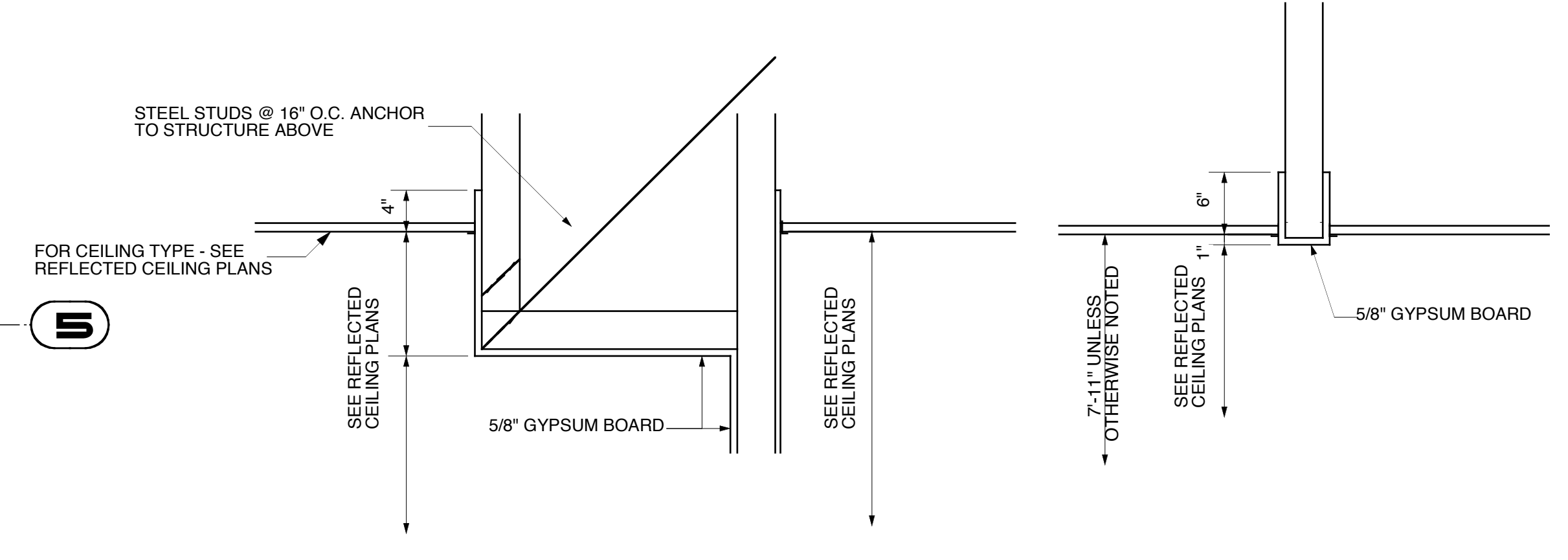
REFLECTED CEILING PLAN LEVEL : TWO



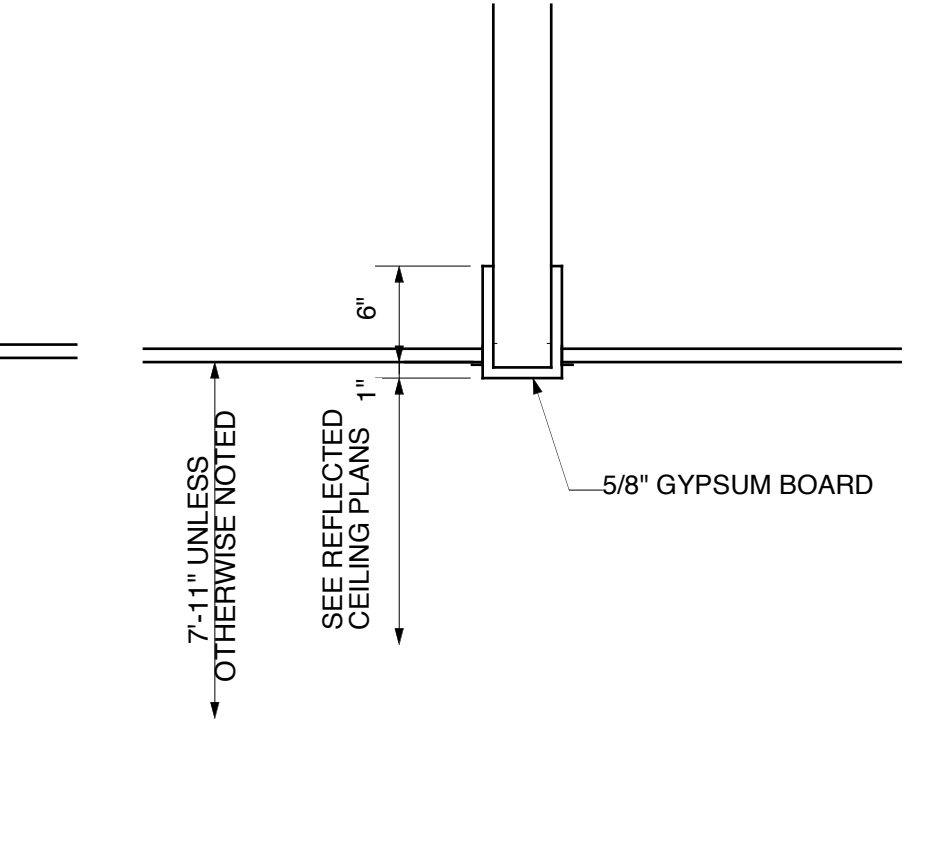
REFLECTED CEILING PLAN LEVEL : ONE



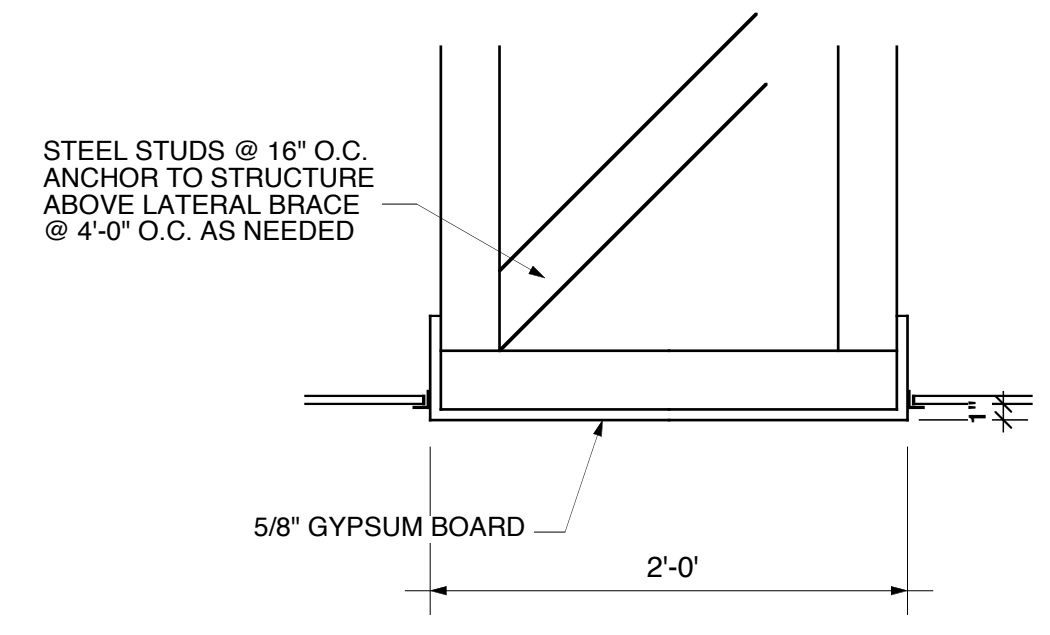
1 "AXIOM" COVE DETAIL
2'-1"



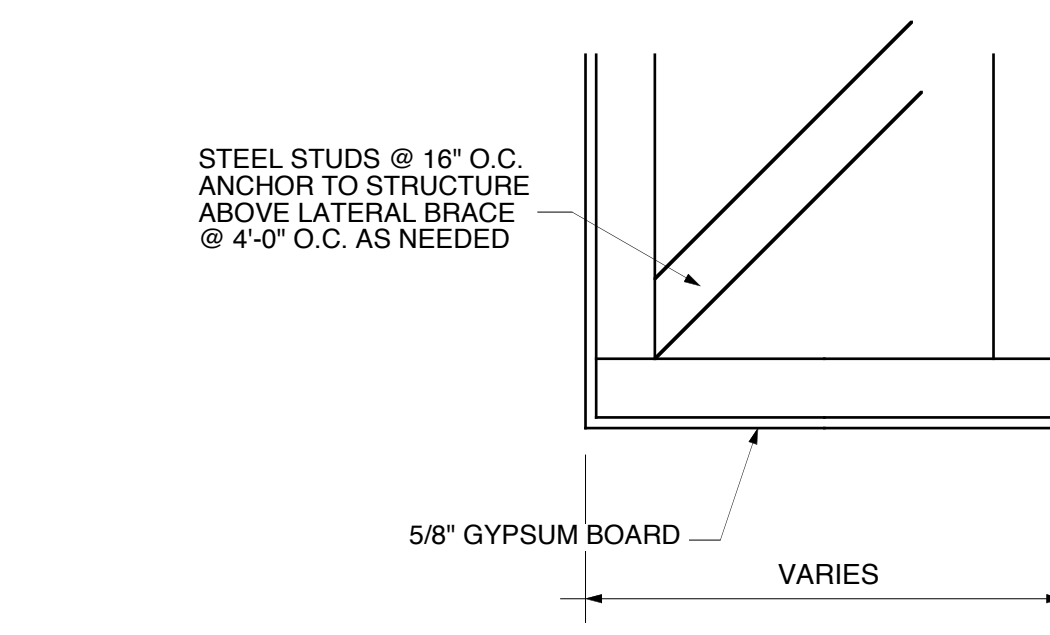
2 TYP. DROPPED GYP. BD. SOFFIT
1'-1"



3 TYP. GYP. BD. SOFFIT
1'-1"



4 TYP. GYP. BD. SOFFIT @ CORRIDOR CONDITION
1'-1"



5 TYP. GYP. BD. SOFFIT
1'-1"

FIRE RATING LEGEND

---	2 HR. FIRE SEPARATION ASSEMBLY W. 1/2 HR. OPENINGS
---	1 HR. FIRE PARTITION W/ 3/4 HR. OPENINGS
---	1 HR. FIRE SEPARATION ASSEMBLY W/ 3/4 HR. OPENINGS
---	SMOKE TIGHT PARTITION TO DECK W. 20 MIN. OPENINGS

- GENERAL NOTE :**
- REFER TO MECHANICAL AND ELECTRICAL DRAWINGS FOR EXACT LOCATIONS OF LIGHTS, DIFFUSERS, AND PLUMBING ITEMS.
 - VERIFY PROJECTION MOUNTING BRACKET LOCATIONS WITH OWNER'S PROJECTORS PRIOR TO INSTALLING.
 - THE TERM A.F.F. MEANS ABOVE CONC. SLAB REFER TO ADD. ALT. NO. 2 FOR MARKERBOARDS AND TACKBOARDS, PROJECTION SCREENS, OVERHEAD VIDEO BRACKETS, AND TELEVISION BRACKETS
- LEGEND**
- A 8'-0" A.F.F. (GYP. BD.)
 - B 8'-1" A.F.F. (APC)
 - C 9'-0" A.F.F. (GYP. BD.)
 - D 9'-1" A.F.F. (APC)
 - E 10'-0" A.F.F. (GYP. BD.)
 - F 10'-1" A.F.F. (APC)
 - G NO CEILING (FULL HEIGHT)
 - H VARIES
 - J 6'-4" A.F.F. (GYP. BD.)
 - K 7'-2" A.F.F. (GYP. BD.)
 - L 7'-4" A.F.F. (GYP. BD.)

RECORD DOCUMENTS
These Record Documents have been prepared based on information provided by others. The Consultant has not verified the accuracy and/or completeness of this information and shall not be responsible for any errors or omissions that may be incorporated as a result of erroneous information provided by others.

Omni ARCHITECTS 12/1/02 DATE

REFLECTED CEILING PLAN LEVEL : ONE & TWO (WEST)

A-6.5

REVISIONS	DATE	NORTHERN KENTUCKY UNIVERSITY	
1		NATURAL SCIENCE BUILDING	
2		DRAWN BY	GJ,JB,NXD
3		CHECKED BY	MWJ
4		DATE	6/99
5		AGENCY	COMMONWEALTH OF KENTUCKY
6		DIVISION OF	FINANCE AND ADMINISTRATION CABINET
7		DIVISION OF	ENGINEERING
8		CHECKED BY	FRANKFORD, KENTUCKY
9		DATE	6/99

DRAWING NO.	A-6.5
REVIEWED BY / OF ENGR.	
ENGR. FILE NO.	I-111
APPROVED FOR PROGRAM CONCEPT ONLY	DATE
APPROVED FOR PROGRAM CONCEPT ONLY	DATE

