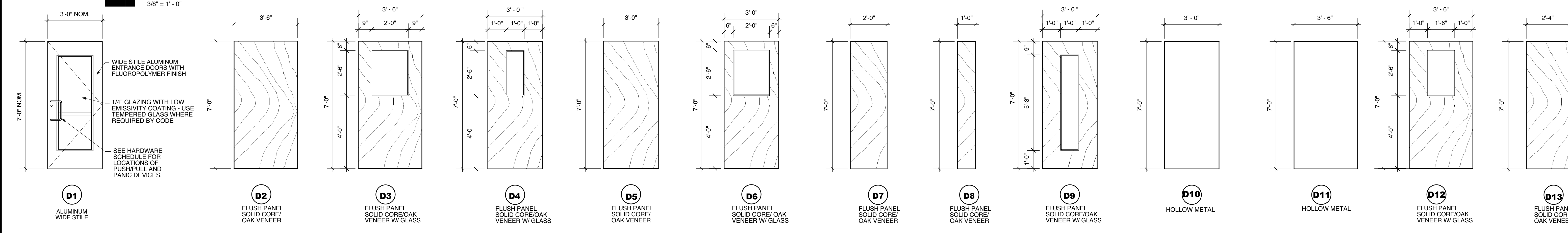


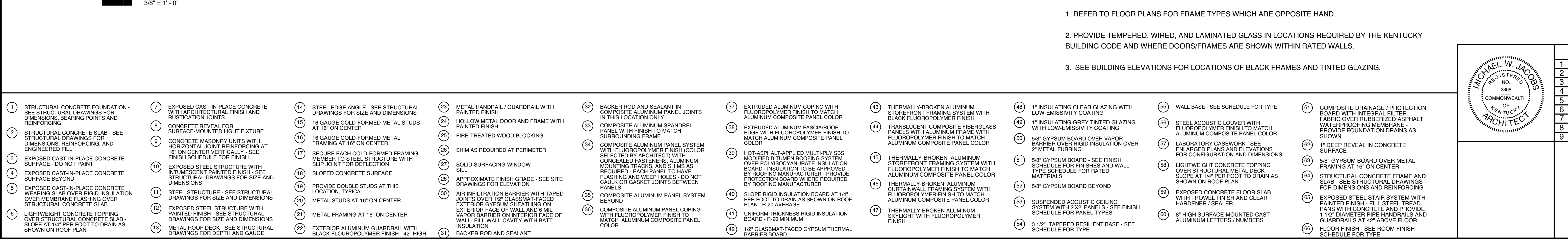
**RECORD DOCUMENTS**  
 These Record Documents have been prepared based on information provided by others. The Consultant has not verified the accuracy and/or completeness of this information and shall not be responsible for any errors or omissions that may be incorporated as a result of erroneous information provided by others.

**Omni ARCHITECTS** 12/102 DATE

**1 FRAME TYPES**  
 3/8" = 1' - 0"



**2 DOOR TYPES**  
 3/8" = 1' - 0"



- GENERAL NOTES:**
- REFER TO FLOOR PLANS FOR FRAME TYPES WHICH ARE OPPOSITE HAND.
  - PROVIDE TEMPERED, WIRED, AND LAMINATED GLASS IN LOCATIONS REQUIRED BY THE KENTUCKY BUILDING CODE AND WHERE DOORS/FRAMES ARE SHOWN WITHIN RATED WALLS.
  - SEE BUILDING ELEVATIONS FOR LOCATIONS OF BLACK FRAMES AND TINTED GLAZING.

**DOOR, FRAME TYPES, DETAILS**

**A-8.3**

REVISIONS	DATE	
1		
2		
3		
4		
5		
6		
7		
8		
9		

**NORTHERN KENTUCKY UNIVERSITY**  
**NATURAL SCIENCE BUILDING**

RECORD DATE: \_\_\_\_\_ DRAWING NO: **A-8.3**

DRAWN BY: **TH** COMMONWEALTH OF KENTUCKY  
 CHECKED BY: **MWJ** DEPARTMENT OF ENGINEERING  
 A & E FILE NO: \_\_\_\_\_ FRANKFORT, KENTUCKY

DATE: **6/99** ENGR. FILE NO: **I-111**

AGENCY AUTHORIZED AGENT: \_\_\_\_\_ DATE: \_\_\_\_\_  
 DIVISION OF ENGINEERING: \_\_\_\_\_ APPROVED FOR PROGRAM CONCEPT ONLY DATE: \_\_\_\_\_  
 APPROVED FOR PROGRAM CONCEPT ONLY DATE: \_\_\_\_\_

