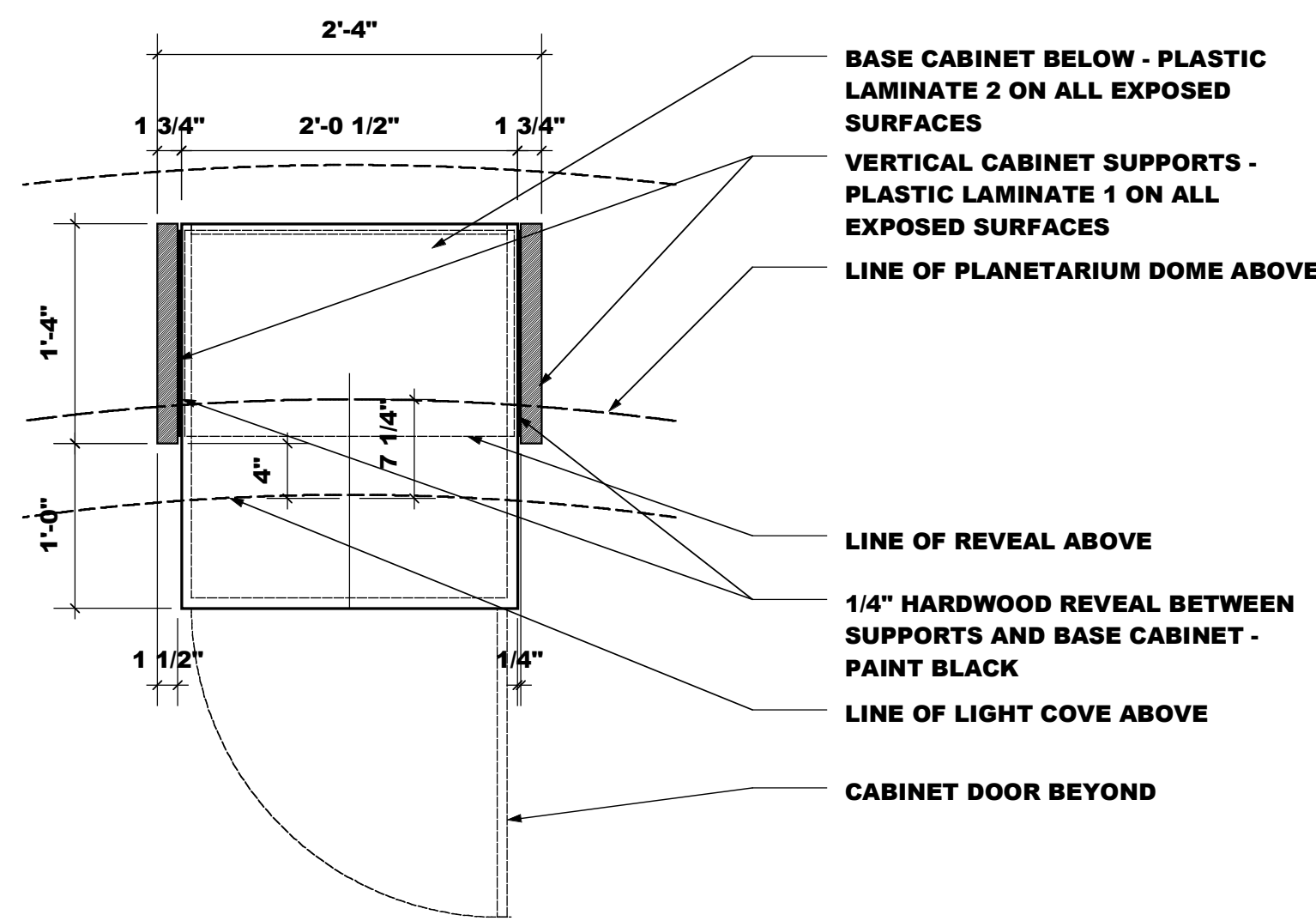
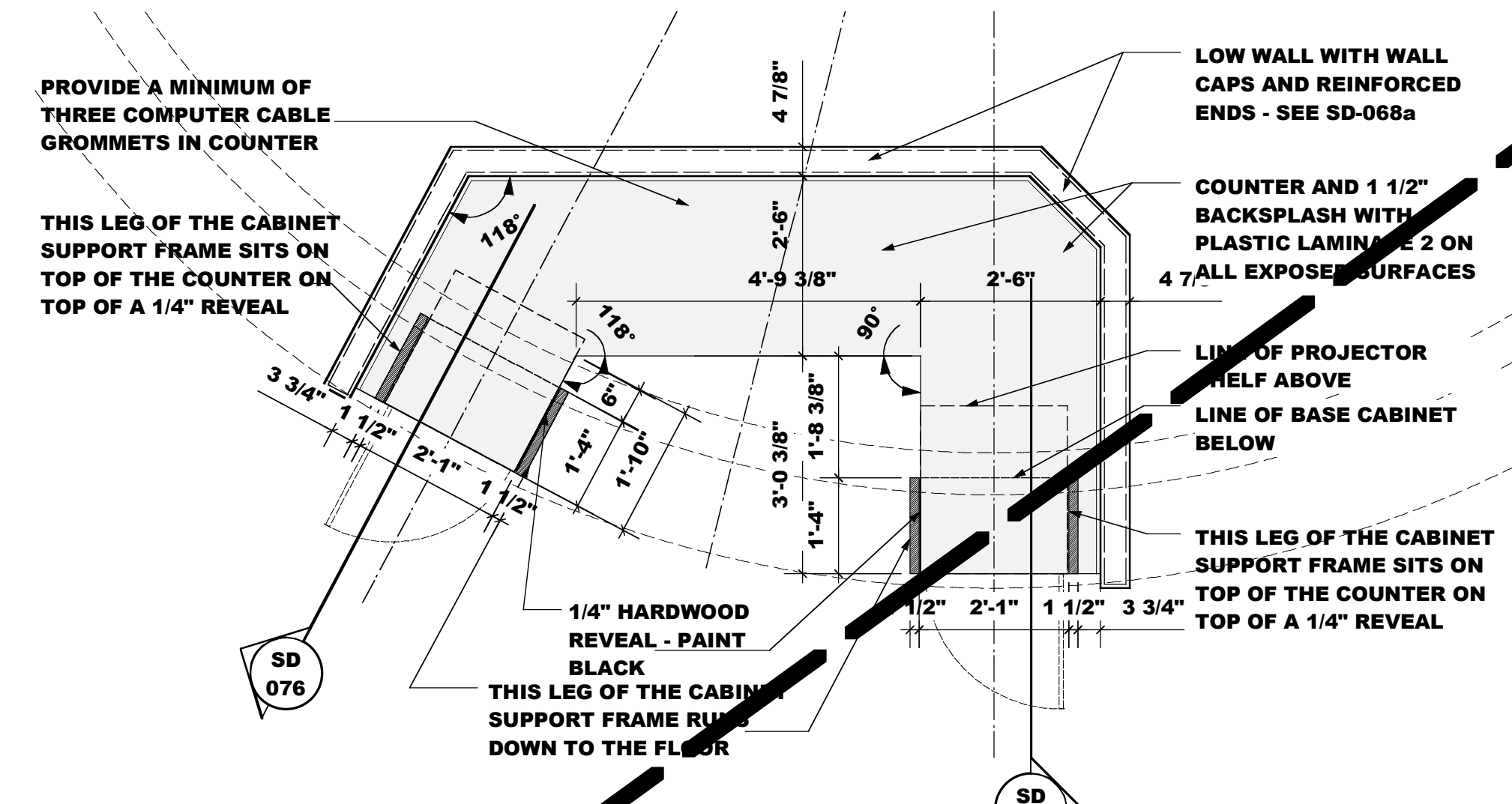


**PLAN @ FRONT PROJECTOR CABINET**  
NOT TO SCALE

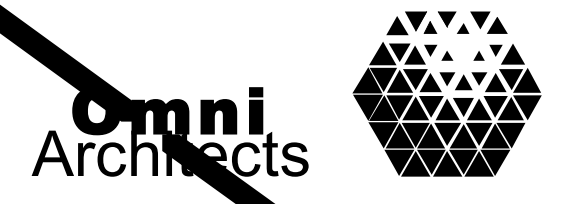


**PLAN @ MIDDLE PROJECTOR CABINET**  
NOT TO SCALE



**PLAN @ CONSOLE**  
NOT TO SCALE

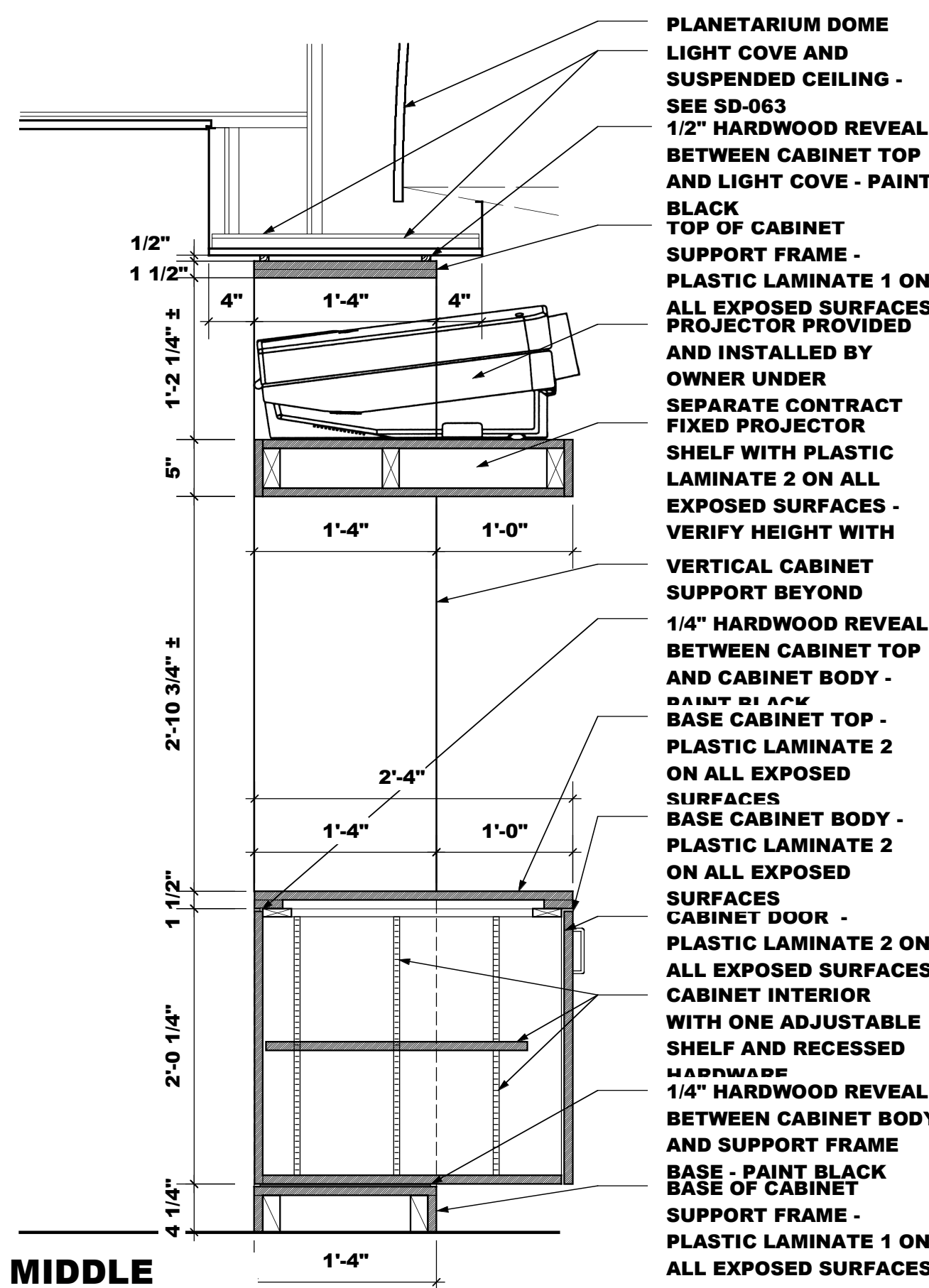
**SD-072** I-111 8/27/01 **NATURAL SCIENCES BUILDING**  
Northern Kentucky University



**SD-073** I-111 8/27/01 **NATURAL SCIENCES BUILDING**  
Northern Kentucky University

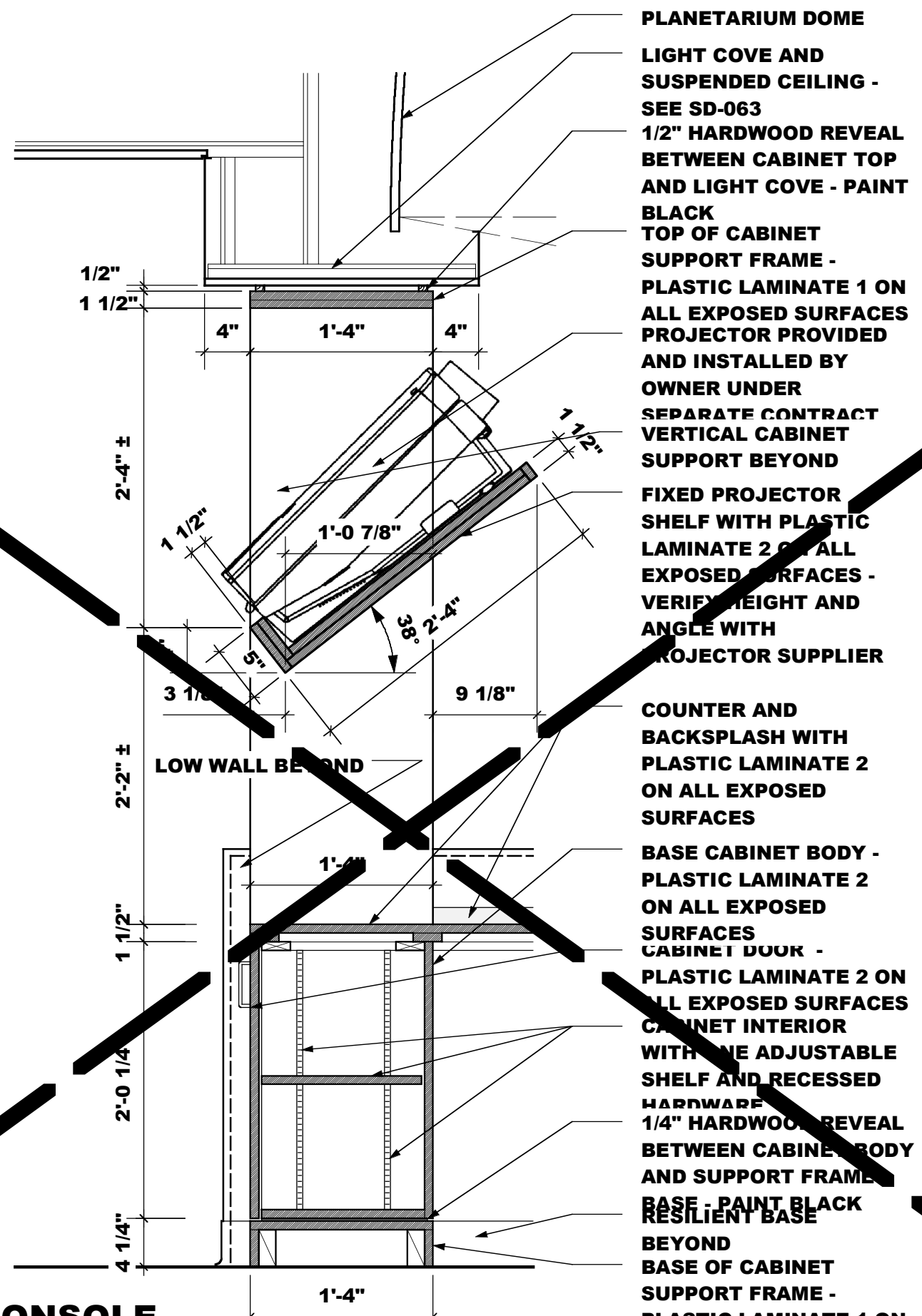


**SD-074** I-111 8/27/01 **NATURAL SCIENCES BUILDING**  
Northern Kentucky University



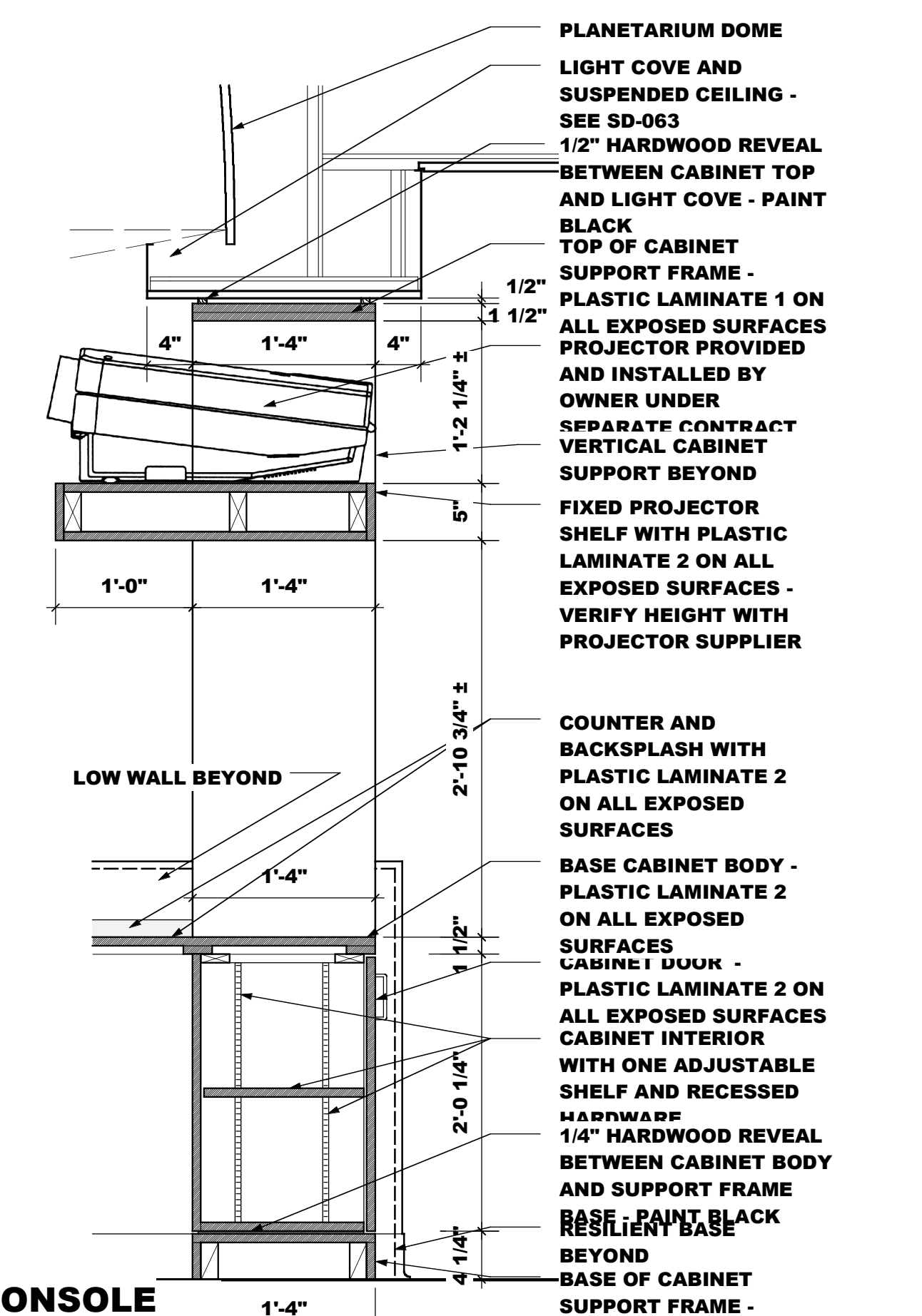
**SECTION @ MIDDLE PROJECTOR CABINET**  
NOT TO SCALE

**SD-075** I-111 8/27/01 **NATURAL SCIENCES BUILDING**  
Northern Kentucky University



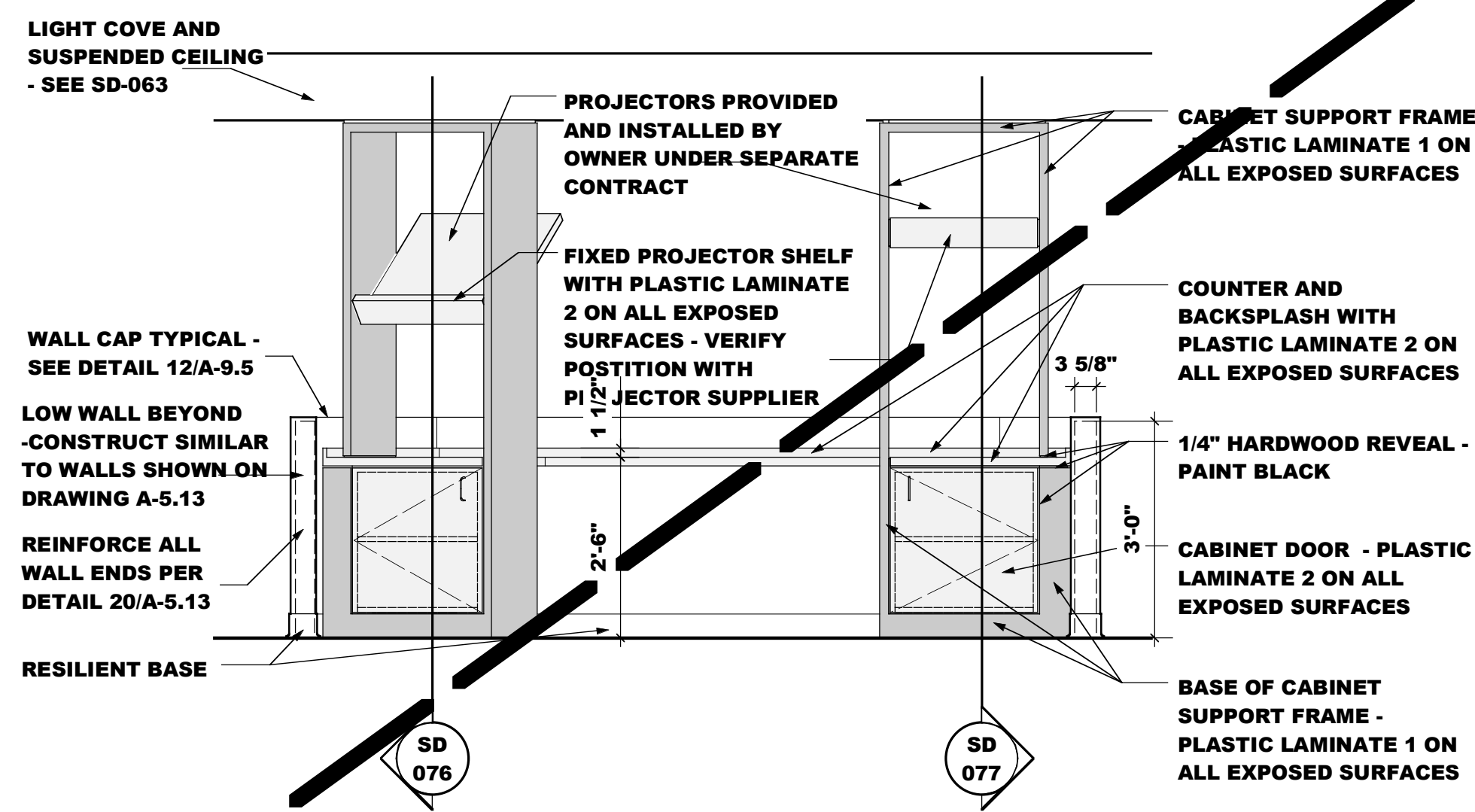
**SECTION @ CONSOLE**  
NOT TO SCALE

**SD-076** I-111 8/27/01 **NATURAL SCIENCES BUILDING**  
Northern Kentucky University



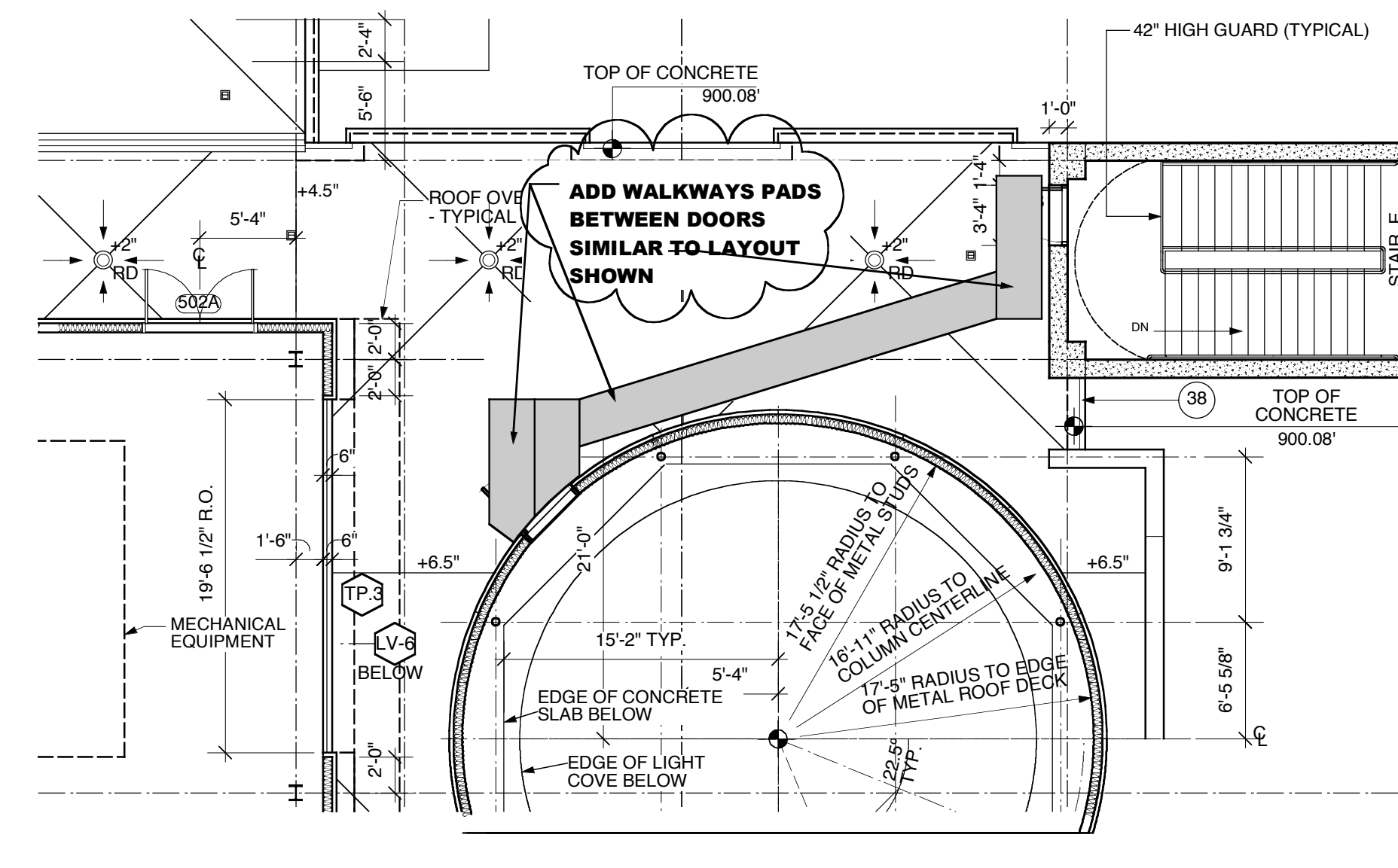
**SECTION @ CONSOLE**  
NOT TO SCALE

**SD-077** I-111 8/27/01 **NATURAL SCIENCES BUILDING**  
Northern Kentucky University



**REAR ELEVATION @ CONSOLE**  
NOT TO SCALE

**SD-078** I-111 8/27/01 **NATURAL SCIENCES BUILDING**  
Northern Kentucky University



**1 PARTIAL PLAN @ ROOF**  
NOT TO SCALE

**SD-079** I-111 8/27/01 **NATURAL SCIENCES BUILDING**  
Northern Kentucky University



**PLANETARIUM NOT BUILT**

**RECORD DOCUMENTS**  
These Record Documents have been prepared based on the information provided by others. The Consultant has not verified the accuracy and/or completeness of this information and shall not be responsible for any errors or omissions that may be incorporated as a result of erroneous information provided by others.

**Omni** ARCHITECTS 12/1/02 DATE

**SUPPLEMENTAL DRAWINGS**  
**A-9.14**

REVISIONS		DATE
1		
2		
3		
4		
5		
6		
7		
8		
9		

<b>NORTHERN KENTUCKY UNIVERSITY</b>		<b>NATURAL SCIENCE BUILDING</b>	
DRAWN BY	COMMONWEALTH OF KENTUCKY	DRAWING NO.	<b>A-9.14</b>
CHECKED BY	FINANCE AND ADMINISTRATION CABINET	REVIEWED	DIV. OF ENGR.
A & E FILE NO.	DEPARTMENT OF FACILITIES MANAGEMENT	ENGR. FILE NO.	<b>I-111</b>
DATE	12/02	APPROVED FOR PROGRAM CONCEPT ONLY	DATE
AGENCY AUTHORIZED AGENT	APPROVED FOR PROGRAM CONCEPT ONLY	DATE	