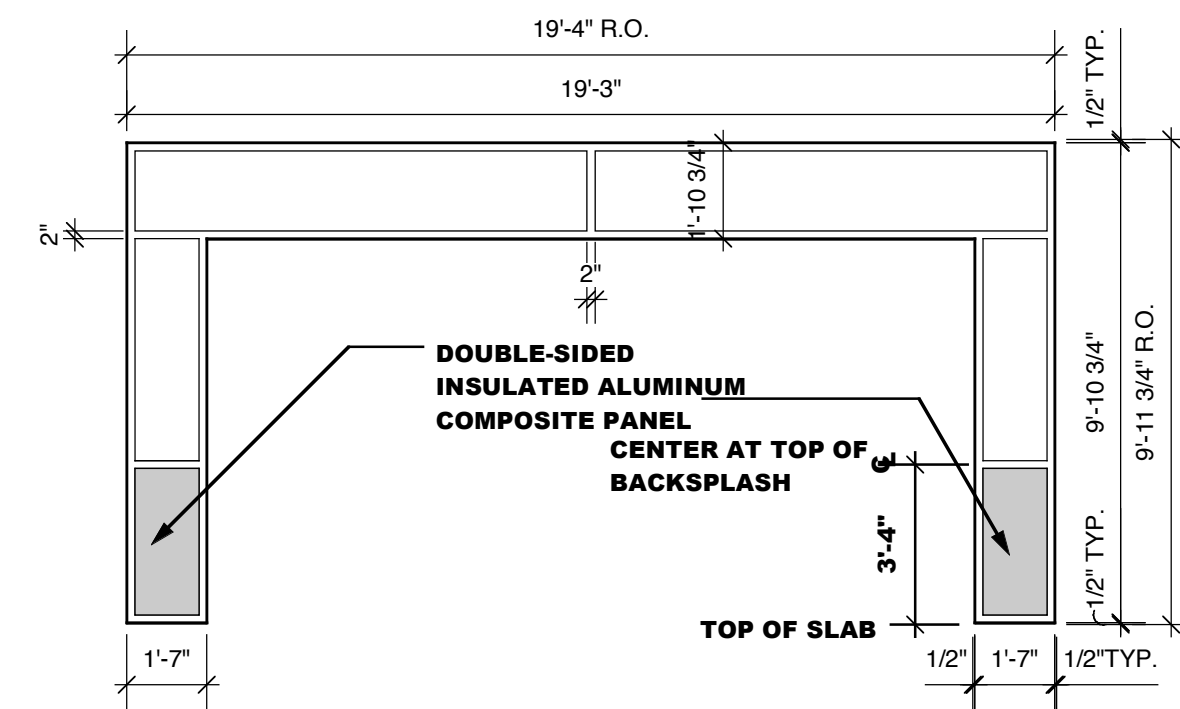


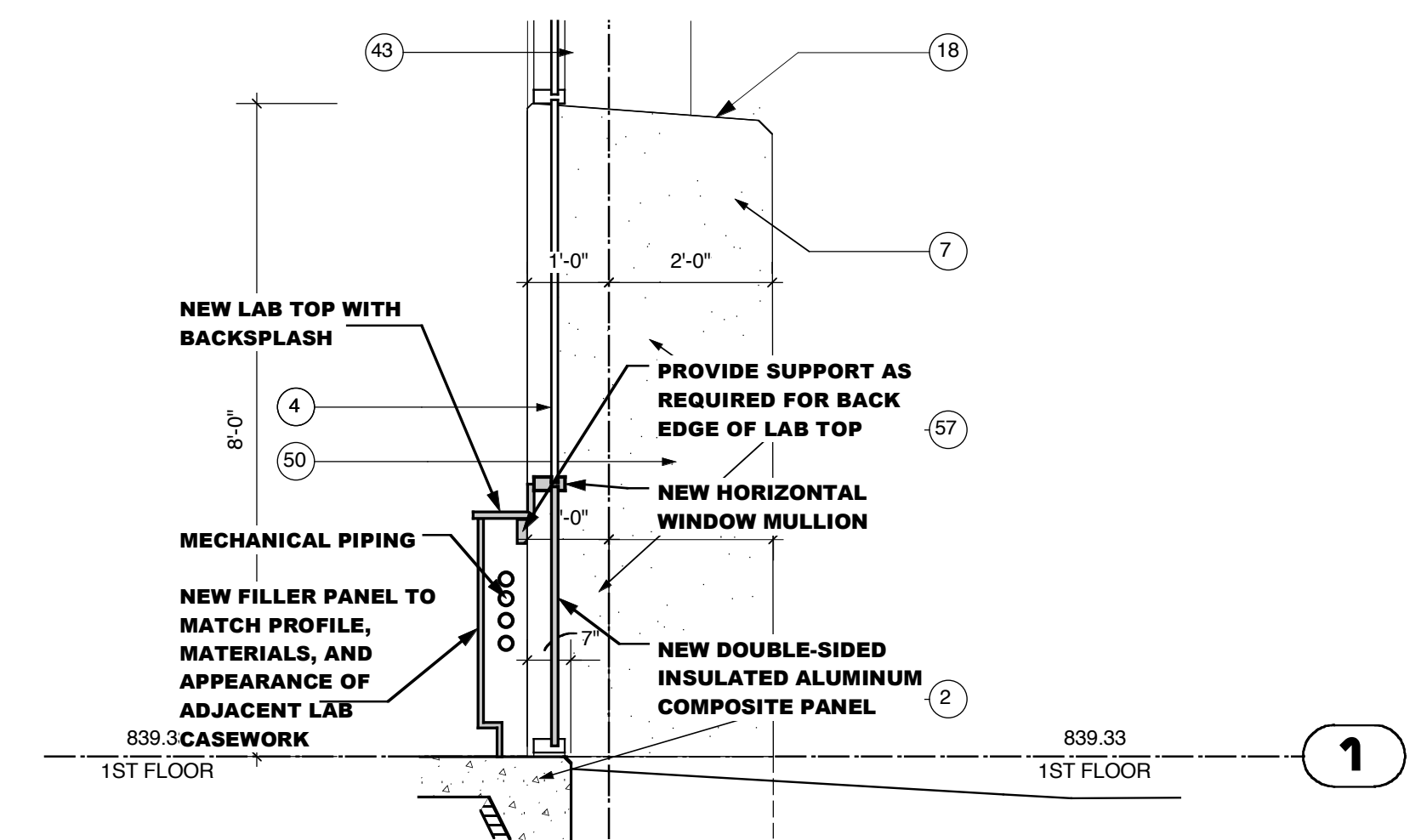
1 PARTIAL FIRST FLOOR PLAN @ ROOM 168
A 1:1C NOT TO SCALE

SD-021 I-111 NATURAL SCIENCES BUILDING Northern Kentucky University
Omni Architects



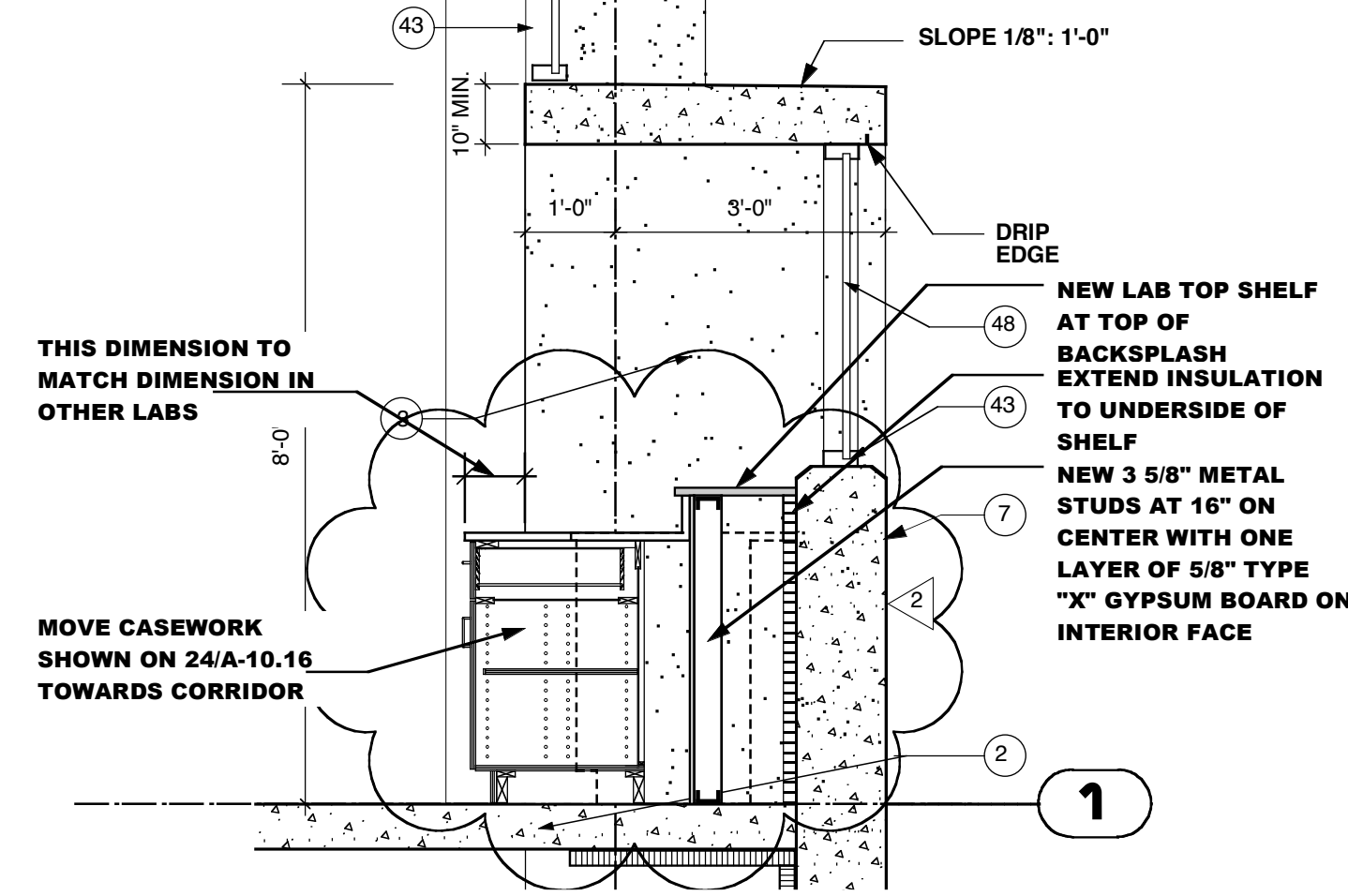
1 ELEVATION @ REVISED WINDOWS
A 1:1C NOT TO SCALE

SD-022 I-111 NATURAL SCIENCES BUILDING Northern Kentucky University
Omni Architects



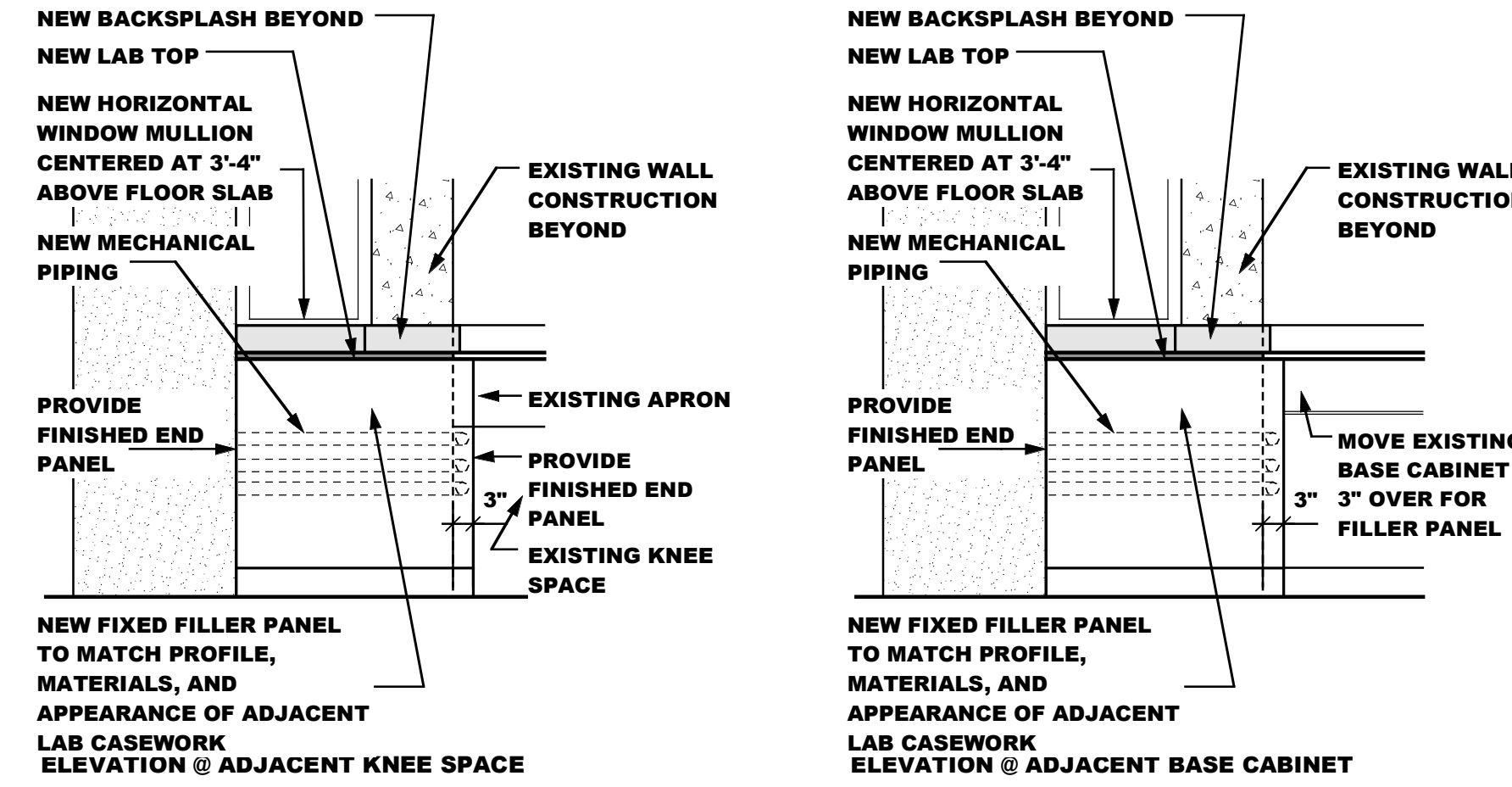
10 SECTION @ WINDOW "SIDELIGHT"
A 1:1C NOT TO SCALE

SD-023 I-111 NATURAL SCIENCES BUILDING Northern Kentucky University
Omni Architects



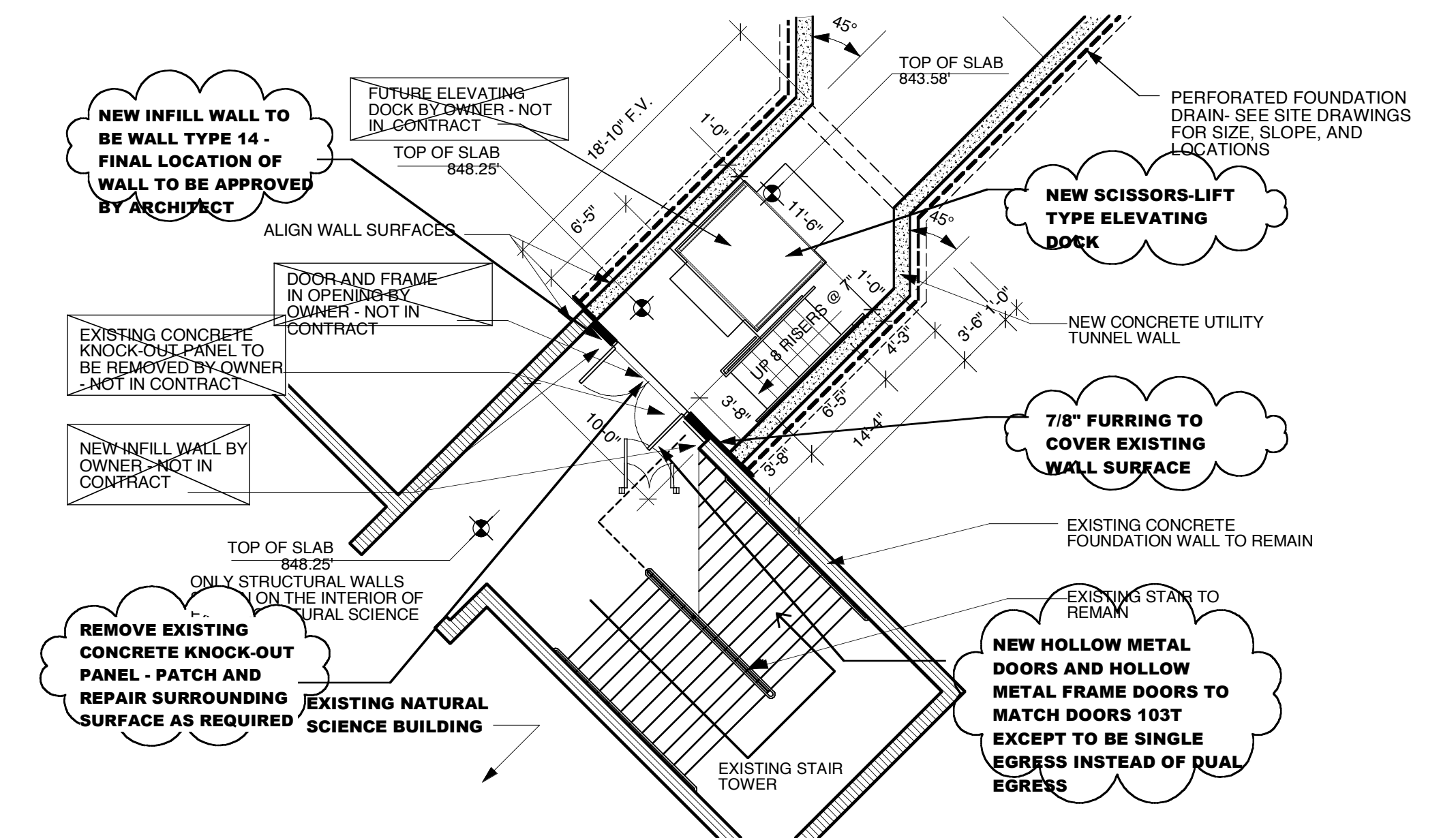
5 SECTION @ REVISED LAB CASEWORK
A 1:1C NOT TO SCALE

SD-024 I-111 NATURAL SCIENCES BUILDING Northern Kentucky University
Omni Architects



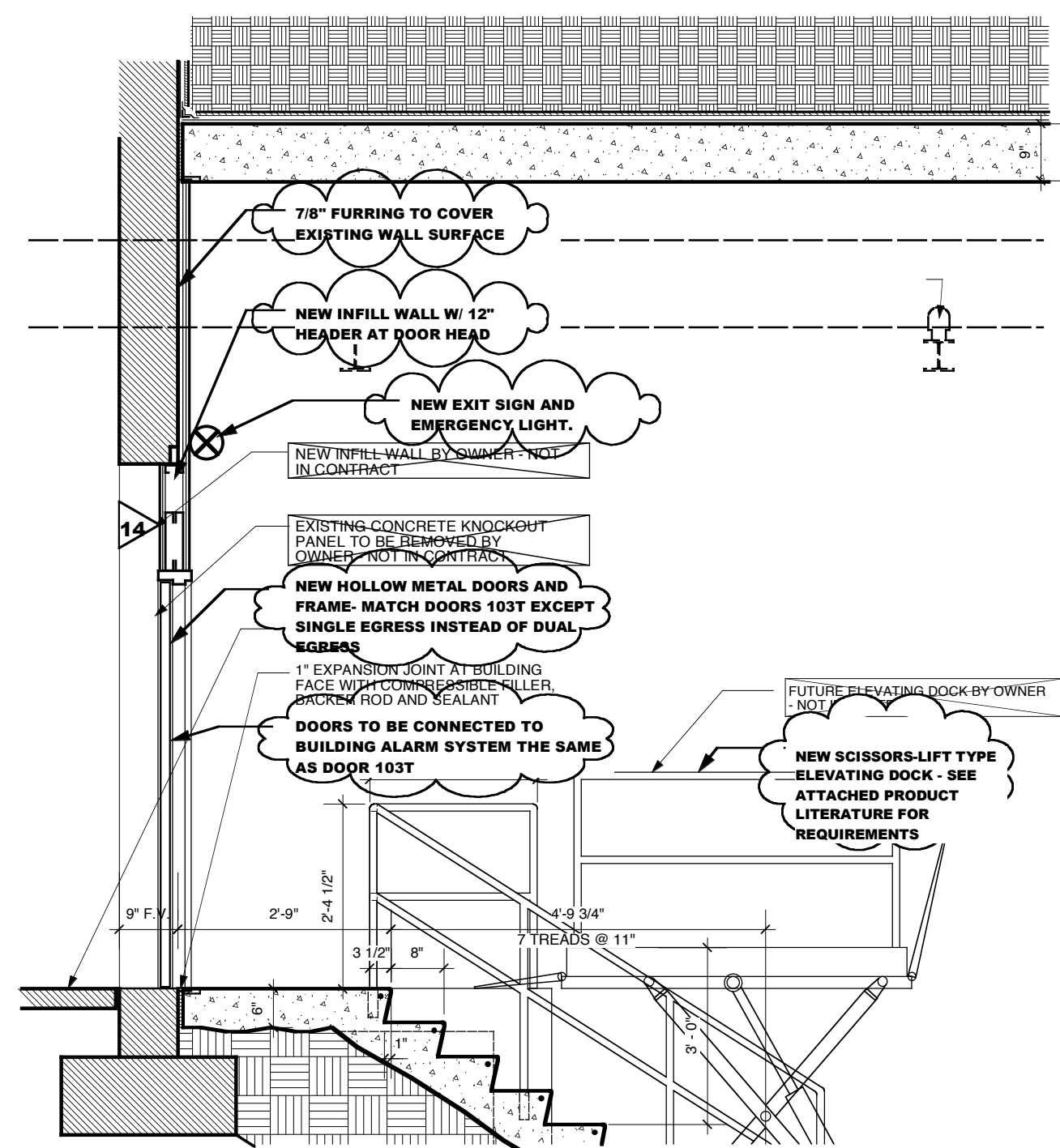
ELEVATIONS @ REVISED LAB CASEWORK
NOT TO SCALE

SD-025 I-111 NATURAL SCIENCES BUILDING Northern Kentucky University
Omni Architects



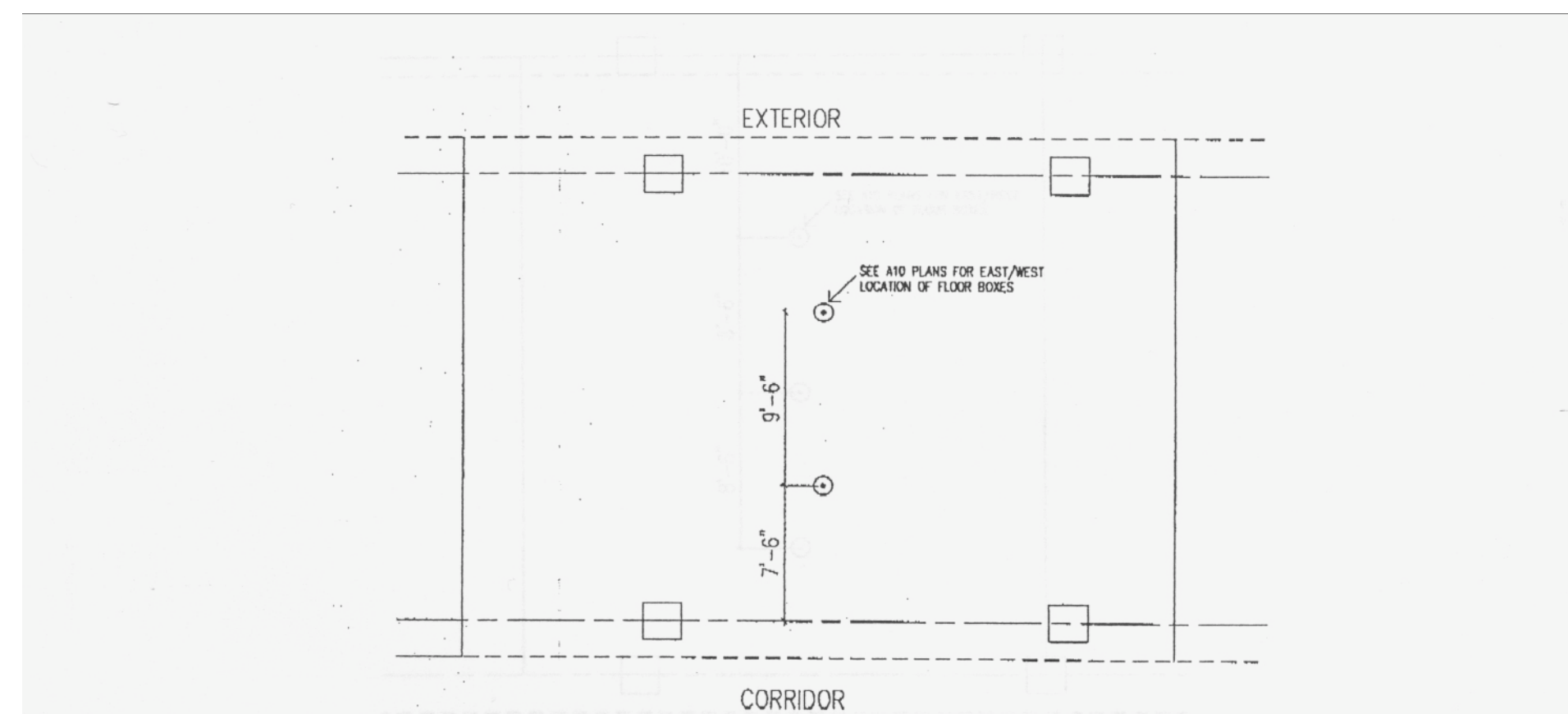
4 PLAN DETAIL @ UTILITY TUNNEL
T 2:0 NOT TO SCALE

SD-026 I-111 NATURAL SCIENCES BUILDING Northern Kentucky University
Omni Architects



13 SECTION DETAIL @ UTILITY TUNNEL
T 2:0 NOT TO SCALE

SD-027 I-111 NATURAL SCIENCES BUILDING Northern Kentucky University
Omni Architects



FLOOR BOX LOCATIONS FOR NORTH WING
NOT TO SCALE

SD-028 I-111 NATURAL SCIENCES BUILDING Northern Kentucky University
Omni Architects

RECORD DOCUMENTS
These Record Documents have been prepared based on information provided by others. The Consultant has not verified the accuracy and/or completeness of this information and shall not be responsible for any errors or omissions that may be incorporated as a result of erroneous information provided by others.

Omni ARCHITECTS
12/1/02 DATE

SUPPLEMENTAL DRAWINGS

A-9.8

REVISIONS		DATE	NORTHERN KENTUCKY UNIVERSITY NATURAL SCIENCE BUILDING	
1			RECORD DATE	DRAWING NO.
2			DRAWN BY	A-9.8
3			CHECKED BY	REVIEWED
4			A & E FILE NO.	DATE
5			DATE	ENGR. FILE NO.
6			12/02	I-111
7			AGENCY AUTHORIZED AGENT	DATE
8			DIVISION OF ENGINEERING	APPROVED FOR PROGRAM CONCEPT ONLY
9				DATE