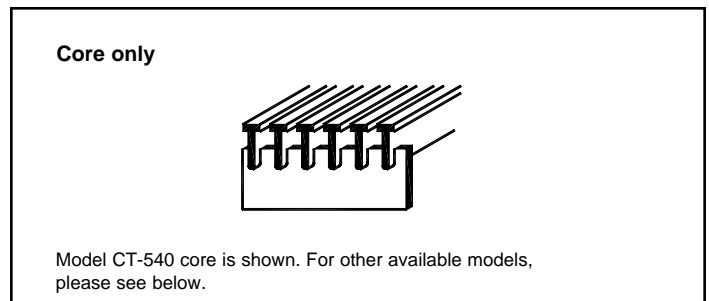
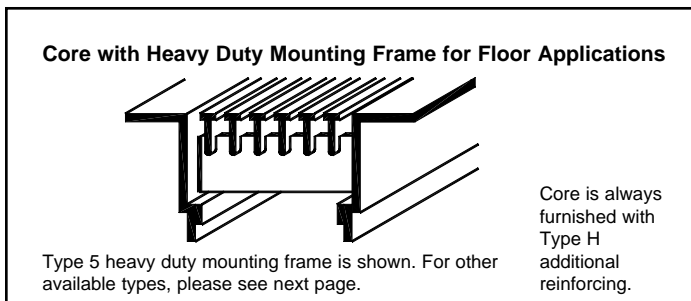
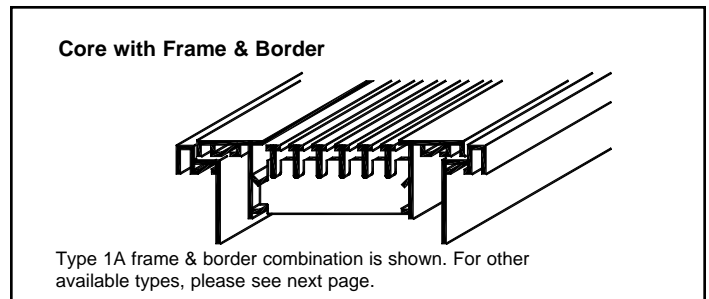
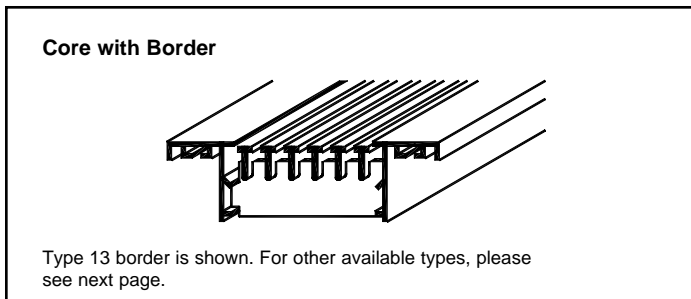


Linear Bar Diffusers Aluminum • Fixed Bars

- Models:** CT-480 • 1/4" Spacing • 1/8" Bars • 0° Deflection
 CT-481 • 1/4" Spacing • 1/8" Bars • 15° Deflection
 CT-580 • 1/2" Spacing • 1/8" Bars • 0° Deflection
 CT-581 • 1/2" Spacing • 1/8" Bars • 15° Deflection
 CT-540 • 1/2" Spacing • 1/4" Bars • 0° Deflection
 CT-541 • 1/2" Spacing • 1/4" Bars • 15° Deflection



Available Cores

Check selection

1/4" Spacing		1/2" Spacing	
1/8" Bars		1/8" Bars	1/4" Bars
<input type="checkbox"/> Model CT-480 • 0° Deflection 		<input type="checkbox"/> Model CT-580 • 0° Deflection 	<input type="checkbox"/> Model CT-540 • 0° Deflection
<input type="checkbox"/> Model CT-481 • 15° Deflection 		<input type="checkbox"/> Model CT-581 • 15° Deflection 	<input type="checkbox"/> Model CT-541 • 15° Deflection

All dimensions are in inches.

† **NOTE:** Not recommended for floor applications with heavy loads or high traffic.

Note: If placing furniture on cores, furniture legs should be a minimum of core spacing plus two bars wide to avoid placing a horizontal load on core.

Frame & Border Types, Dimensions Check selection

Frame & Border Type 1A
• 1" Border

Frame & Border Type 1B
• 1 1/4" Border

Frame & Border Type 2
• 3/4" Border

Frame & Border Type 3
• 1/2" Border
• Spring Latch

Frame & Border Type 4
• 1/4" Border
• Spring Latch

Border Types, Dimensions Check selection

Border Type 7
• 1/2" Border

Border Type 7 is not available with Type A (screw hole) fastening.

Border Type 11 • B = 1/2
 Border Type 12 • B = 3/4
• 1/2" or 3/4" Border

Border Type 13 • B = 1
 Border Type 14 • B = 1 1/4
• 1" or 1 1/4" Border

Heavy Duty Mounting Frames for Floor Applications Check selection

(See submittal D-CT-HD for loading limitations.)

Frame Type 5
• 1" Flange

Removable core is furnished with frame. See front page for core selections. When spring clip is furnished, add an additional 1/4" to duct width.

Frame Type 6
• No Flange

Removable core is furnished with frame. See front page for core selections. When spring clip is furnished, add an additional 1/4" to duct width.

Frame Type 15
• Carpet Clamp Flange

Removable core is always furnished with H reinforcing. See front page for core selections. * Not available on CT480 and CT481.

Core Only (No Frame, No Border) Type CO

Overall Lengths and Widths for Various Frame & Border Types

Border Types (Type 11 Shown)

Type	F Border Length	O Overall Length	C Core Opening Length
5	D	D plus 1 5/8	D minus 3/8
6	D	D	D minus 3/8
7	D minus 5/8	D minus 1/4	D minus 3/4
11	D minus 5/8	D plus 1/4	D minus 3/4
12	D minus 5/8	D plus 3/4	D minus 3/4
13	D minus 5/8	D plus 1 1/4	D minus 3/4
14	D minus 5/8	D plus 1 3/4	D minus 3/4

Dimensions are for length or width.

Frame & Border Types (Type 1A & 1B Shown)

Type	F Frame Length	O Overall Length	C Core Opening Length
1A	D	D plus 2	D minus 3/4
1B	D	D plus 2 1/2	D minus 3/4
2	D	D plus 1 1/4	D minus 3/4
3	D	D plus 7/16	D minus 3/4
4	D	D	D minus 3/4
15	D	D plus 1/4	D minus 3/4

Dimensions are for length or width.

Standard Core Width Information

Duct Size D	1/4" Spacing		1/2 or 7/16" Spacing	
	Core Opening C	Number of Bars	Core Opening C	Number of Bars
2	1 1/4	3	1 1/4	2
2 1/2	1 3/4	5	1 3/4	3
3	2 1/4	7	2 1/4	4
3 1/2	2 3/4	9	2 3/4	5
4	3 1/4	11	3 1/4	6
5	4 1/4	15	4 1/4	8
6	5 1/4	19	5 1/4	10

Core Only

S=9" Maximum Support Bar Spacing. D=72" Maximum for One Piece. Core Only is an option available for field framing. Standard widths are as shown. Core will ship 3/4" smaller than the duct width.

Alignment Strips

Used with border width 1/2" or wider. Alignment wire used with 1/4" borders.

Available Fastenings

Check selection

Type A • Screw Holes

For ceiling, side wall or sill. Used with Frame & Border Types 1B, 5, 11, 12, 13, 14.

Type B • Spring Clip

For sill installations. Used with Frame & Border Types 7, 11, 12, 13 and 14. Must use AG-35B instead of AG-35 with Type B fastening. Sill opening size must be slightly larger to accommodate spring clips.

Type C • Concealed Fastening

For ceiling, side wall or sill. Used with Frame & Border Types 1A, 1B, 2, 7, 11, 12, 13, 14.

Additional Reinforcing (Optional)

Check if provided

Type H • Optional Heavy Duty Core
• Standard with Heavy Duty Mounting Frame Types 5, 6, 15

Optional Heavy Duty Core has support bars on 6" maximum centers. (Standard core has 9" maximum centers.) See Submittal CT-HD for maximum loading.

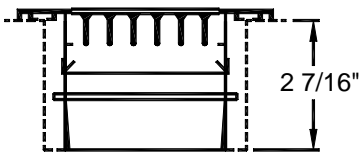
Type C Concealed Fastening - Notes

- Not available for use with Cores CT-480 and CT-481 (1/4" bar spacing).
- Screwdriver will not fit between bars.

Accessories (Optional)

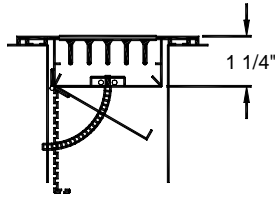
Check if provided

Model 07 Directional Blades



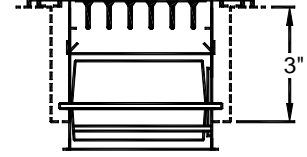
For all widths of Model CT diffusers 3" or greater. Cannot be attached to Frame & Border Types 3 and 4. Can be used with Type 5, 6, 15 if Type B Spring Clip Fastening is omitted.

Model AG-30 Single Blade Damper



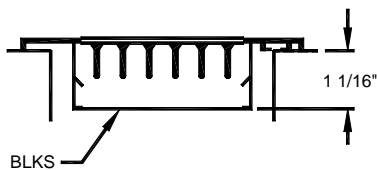
For Model CT diffuser widths 1 1/2 through 4". Friction hinge on 1 1/2" and 2" widths. Screwdriver operator on 2 1/2" through 4". Cannot be attached to Frame & Border Types 3, 4, 5, 6 or 15. For those types use Model AG-35B damper on diffusers 3" and wider.

Model AG-35 Opposed Damper



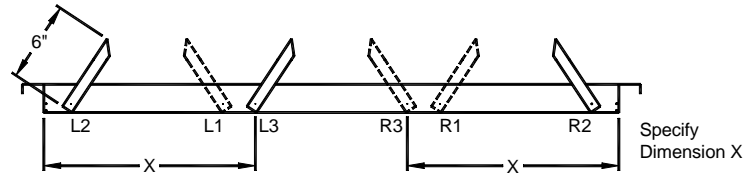
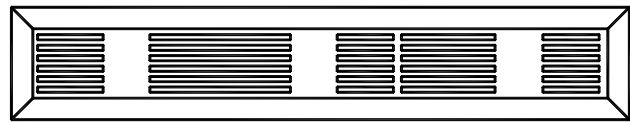
For Model CT diffusers 3" and wider. Not recommended for Models CT-480 and CT-481. Cannot be attached to Frame & Border Types 3 and 4. Use Model AG-35 B damper for those types. Note: Minimum duct width is 3".

Model BLKS Steel Blank-Off



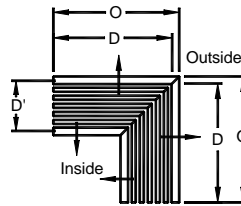
For all widths of Model CT diffusers. Furnished in 6 foot lengths for field cutting and installation. Steel, painted flat black.

Model AD Access Door (Not Available on types 3, 4, 5, 6 and 15.)



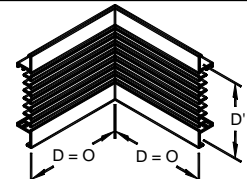
Optional Mitered Corners

- MC-480 • 1/4" Spacing • 1/8" Bars • 0° Deflection
- MC-481 • 1/4" Spacing • 1/8" Bars • 15° Deflection
- MC-580 • 1/2" Spacing • 1/8" Bars • 0° Deflection
- MC-581 • 1/2" Spacing • 1/8" Bars • 15° Deflection
- MC-540 • 1/2" Spacing • 1/4" Bars • 0° Deflection
- MC-541 • 1/2" Spacing • 1/4" Bars • 15° Deflection

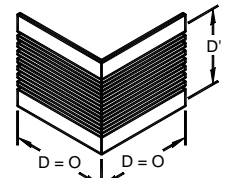


Floor, Ceiling or Sill

- Type O • 0° Deflection
- Type A • Deflection Inside
- Type B • Deflection Outside



Type C • Side Wall, Inside



Type D • Side Wall, Outside

Overall Dimension O for Various Frame & Border Types

Duct Width D'	Duct Length D	Frame & Border Type													
		1A	1B	2	3	4	5	6	7	11	12	13	14	15	CO
2-4	12	12 15/16	13 3/16	12 5/8	12 3/16	12	12 13/16	12	11 7/8	12 1/8	12 3/8	12 5/8	12 7/8	12 1/8	12
4 1/2-6	18	18 15/16	19 3/16	18 5/8	18 3/16	18	18 13/16	18	17 7/8	18 1/8	18 3/8	18 5/8	18 7/8	18 1/8	18

Standard Finish: #26 White

General Description

- TITUS linear bar diffusers are designed for both supply and return applications.
- Standard lengths are 1, 2, 3, 4, 5 and 6 feet, furnished as complete, welded assemblies.
- Lengths greater than 6 feet are furnished in multiple sections, the number and size determined by the factory.
- Sections can be joined end-to-end for continuous appearance, using standard alignment strips or alignment pins.
- All deflection bars are fixed and are parallel to the long dimension.
- Fixed bars are extruded aluminum.
- Border Types 5, 6 and 15 are the only frame styles available for floor applications.



Note: This submittal is meant to demonstrate general dimensions of this product. The drawings on this submittal are not meant to detail every aspect of the product with exactness. Drawings are not to scale. TITUS reserves the right to make changes without written notice.