

57M24

CONFINEMENT SERIES

FLANGE LUMINAIRE
MINIMUM TO MAXIMUM SECURITY

FLUORESCENT
25-1/8" x 49-1/8" x 4-1/4"

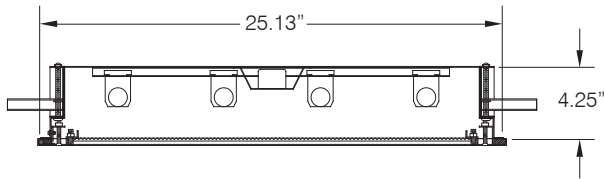


TYPE "K"
RAQUETBALL



PROJECT:
TYPE:
PRODUCT NUMBER:
APPROVED BY:
DATE:

DIMENSIONAL DATA



DESCRIPTION

The New Star Flange Security 57M Series fixture is designed for confinement applications in recessed (drywall) ceilings. The housing is typically die-formed in 18G CRS, however, other materials and gauges may be specified. The frame is available in multiple materials, thickness and is secured to the housing via a drop hinge. We offer a wide variety of lens options that are held in place with Z channel and weld studs to provide ultimate impact protection. This fixture ships with a "swing arm" mounting system for easy installation and an optional plaster frame yolk assembly is available if required. Torx Head center pin reject screws are standard with this fixture to prevent unauthorized access. No part of the fixture may be turned into a weapon or tool. The 57M lighting fixture provides the best strength and uninterrupted high performance for all confinement lighting needs.

APPLICATION

- Confinement
- Psychiatric Wards
- Detention Centers
- Public Housing Complexes
- Transportation Applications
- Athletic Facilities
- Locker Rooms

SPECIFICATION FEATURES

HOUSING:

Die formed, seam welded and ground smooth (specify material and gauge).

DOOR:

Die formed one-piece frame with tightly closed corners (specify material and gauge).

HINGE:

Drop hinge.

LENS/LENS RETENTION:

Lens per specification (see options) and secured by "Z" retainers with weld studs spaced six inches apart for maximum strength.

ELECTRONICS:

Electronic Ballast <10% THD standard. Lamps by others.

GASKET:

Black neoprene around door frame interior to prevent light leaks.

FASTENERS:


Tamper resistant countersunk, flat head Torx screws with center pin reject and captive cage nuts are standard (see options for others).

FINISH:

Polyester powdercoat with 92% reflectance, following a 5 stage iron phosphate pre-treatment.

INSTALLATION:

Easy installation with adjustable 90° swing arm system standard.

LABEL: 

Notes:

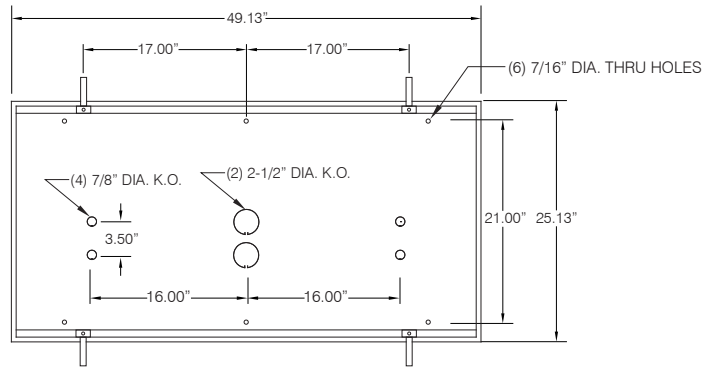
Specifications and Dimensions are subject to change without notice. For additional options and dimensional details please consult your New Star Lighting Representative. For specific electronic ballast, specify brand and catalog number.

MOUNTING DIMENSIONS



57M24
CONFINEMENT SERIES
FLANGE LUMINAIRE

FLUORESCENT
25-1/8" x 49-1/8" x 4-1/4"



CEILING CUT-OUT: 48-3/8" x 24-3/8"

ORDERING INFORMATION

57M24 FLANGE LUMINAIRE CONFINEMENT SERIES

Product Family	Housing	Frame	# of Lamps	Lamp Type	# of Ballasts
57M24					
57M24 25-1/8" x 49-1/8" x 4-1/4"	B = 14 Gauge CRS C = 16 Gauge CRS D = 18 Gauge CRS E = 14 Gauge SS (brushed) F = 16 Gauge SS (brushed) G = 18 Gauge SS (brushed) H = 14 Gauge SS (painted) J = 16 Gauge SS (painted) K = 18 Gauge SS (painted)	A = 12 Gauge CRS B = 14 Gauge CRS C = 16 Gauge CRS D = 18 Gauge CRS E = 14 Gauge SS (brushed) F = 16 Gauge SS (brushed) G = 18 Gauge SS (brushed) H = 14 Gauge SS (painted) J = 16 Gauge SS (painted) K = 18 Gauge SS (painted)	2 = 2 Lamp 3 = 3 Lamp 4 = 4 Lamp 6 = 6 Lamp	32 = Linear 32W T8 28 = Linear 28W T5 54 = Linear 54W T5 HO	1 = 1 Ballast 2 = 2 Ballast
	Outer Lens	Inner Lens	Voltage	Options	
	Ø = No Lens A = .125 Clear Polycarbonate B = .156 Clear Polycarbonate 1 = .187 Clear Polycarbonate 2 = .250 Clear Polycarbonate 3 = .375 Clear Polycarbonate 4 = .500 Clear Polycarbonate 5 = .187 Clear Tempered Glass 6 = .250 Clear Tempered Glass 7* = .375 Clear Tempered Glass 8* = .500 Clear Tempered Glass 9* = .750 Clear Tempered Glass *Must use 12 or 14 gauge frame	Ø = No Lens A = .125 Prismatic Acrylic B = .125 Prismatic Polycarbonate C = .156 Prismatic Polycarbonate D = .187 Prismatic Polycarbonate E = .156 Prismatic Tempered Glass F = .156 Prismatic Acrylic G = .140 DR Acrylic	1 = 120V 2 = 277V U = Universal (120V-277V)	DB* = Ballast: Dimming E1* = Emergency Ballast (450 Lumens) E2* = Emergency Ballast (1100 Lumens) PR = Programmable Ballast - Rapid Start AH = Allenhead Screws with center pin reject NL* = Fluorescent Night Light LN* = LED Night Light FZ* = Fuse Holder SP = Speaker Compartment SW = Security Switch WL = Wet Location UV = .005 UV Absorbing Overlay PF = Plaster Frame & Yolk CB = Cross Bar *Cannot use with universal voltage option	