

DIFFUSERS

TurboFuser

Panel-Mounted Nozzles



TBF-AA

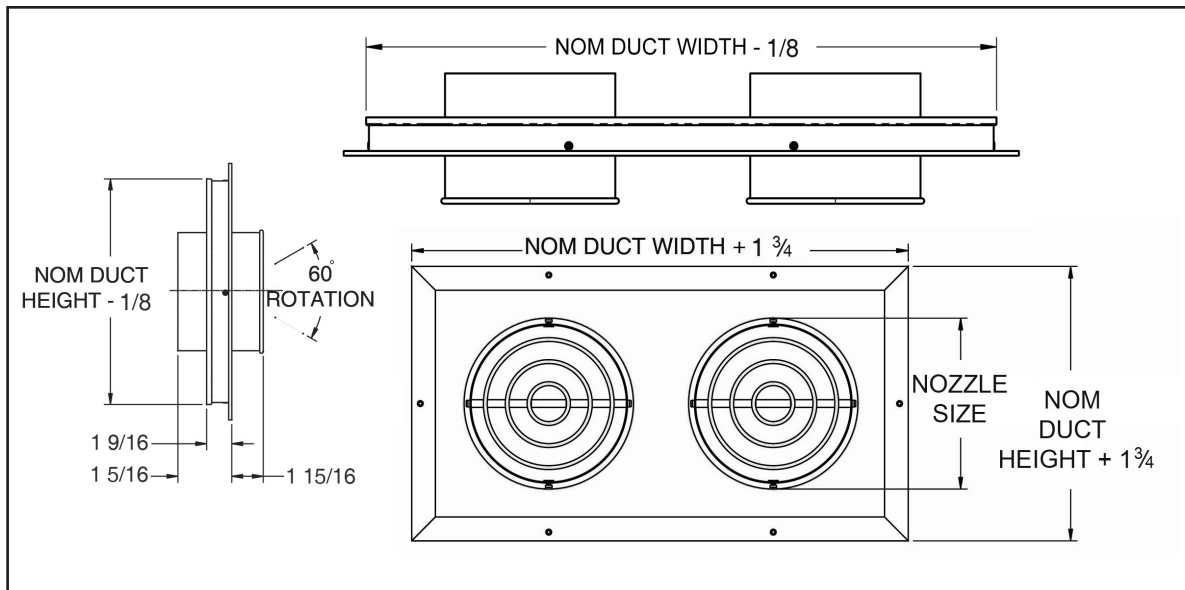
Models:

- TBF-AA • Aluminum

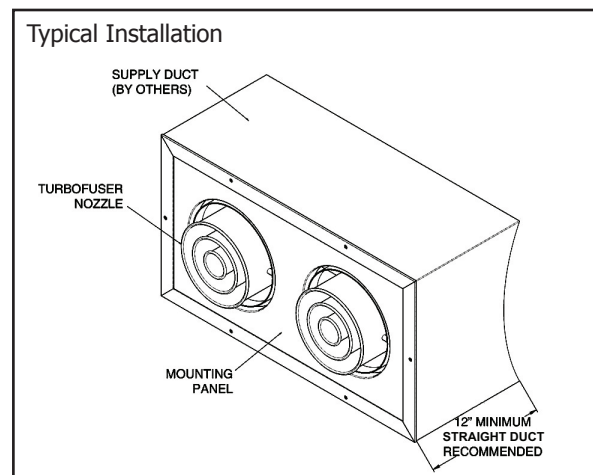
These Products Include:

- Standard Finish: #26 White.
- Titus TurboFuser series TBF-AA diffuser provides precise control of high capacity jets.

- The TurboFuser is a versatile diffuser for demanding spot cooling and heating HVAC applications, such as industrial or large open areas.
- An aesthetic alternative to conventional air distribution providing a contemporary look for sports complexes, atriums and lobbies.
- Material is heavy-duty aluminum.
- Deep deflection rings in each nozzle for maintaining directional control at high velocities up to 30 degrees in any direction.
- Nozzle sizes are 6, 8, 10, 12 and 14 inches, with up to four nozzles per panel.
- Each ring of the nozzle assembly is 1-piece spun construction.



Nozzle Size (inches)	NOM Duct Height	Width by Number of Nozzles			
		1	2	3	4
6	10	10	19	28	37
8	12	12	23	34	45
10	14	14	27	40	53
12	16	16	31	46	61
14	18	18	35	52	69



All dimensions are in inches.

TBF-AA