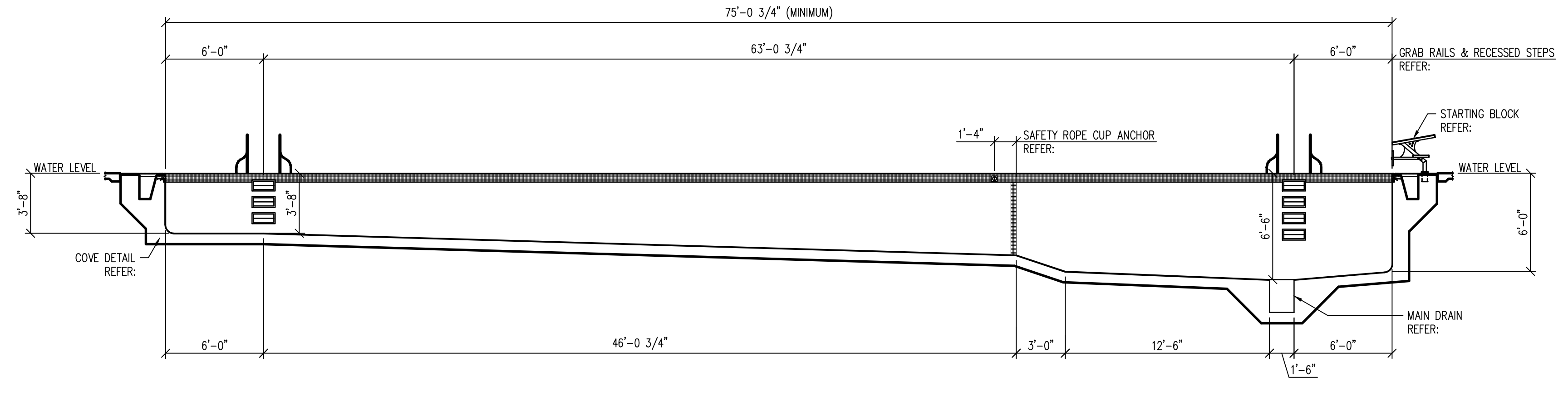
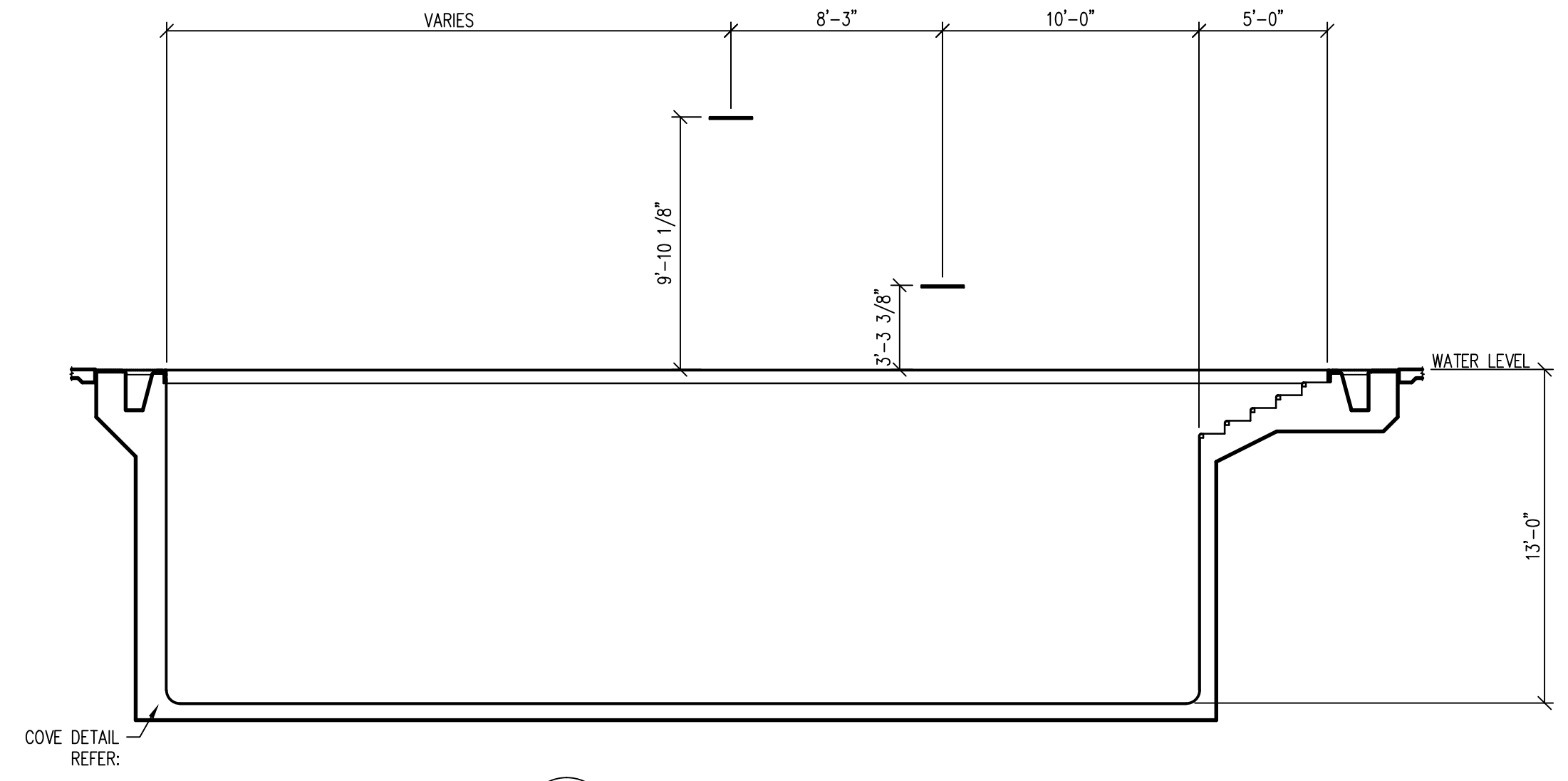


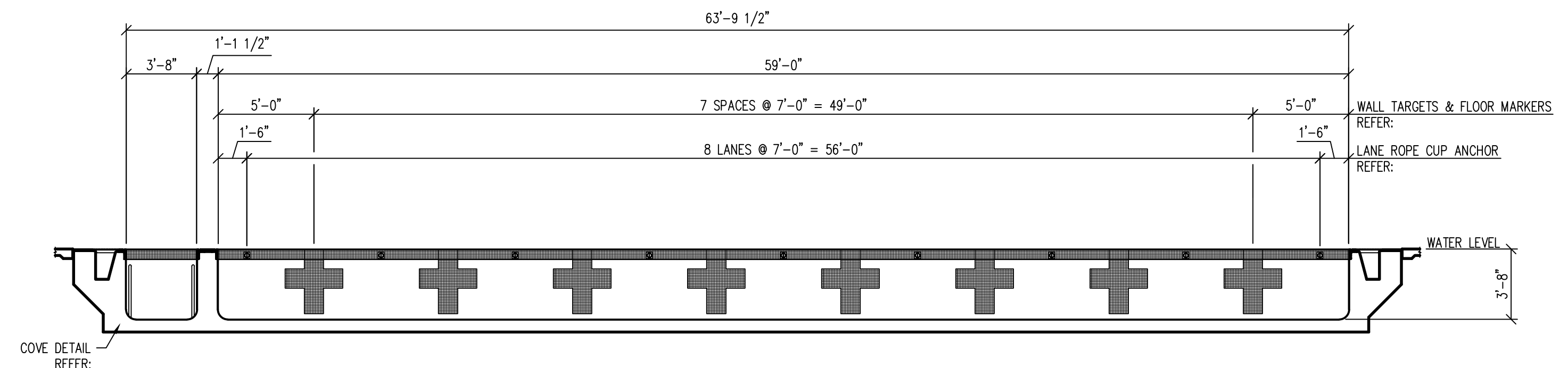
5 POOL REFERENCE SECTION
SP-1.1 3/16" = 1'-0" 07/10/12



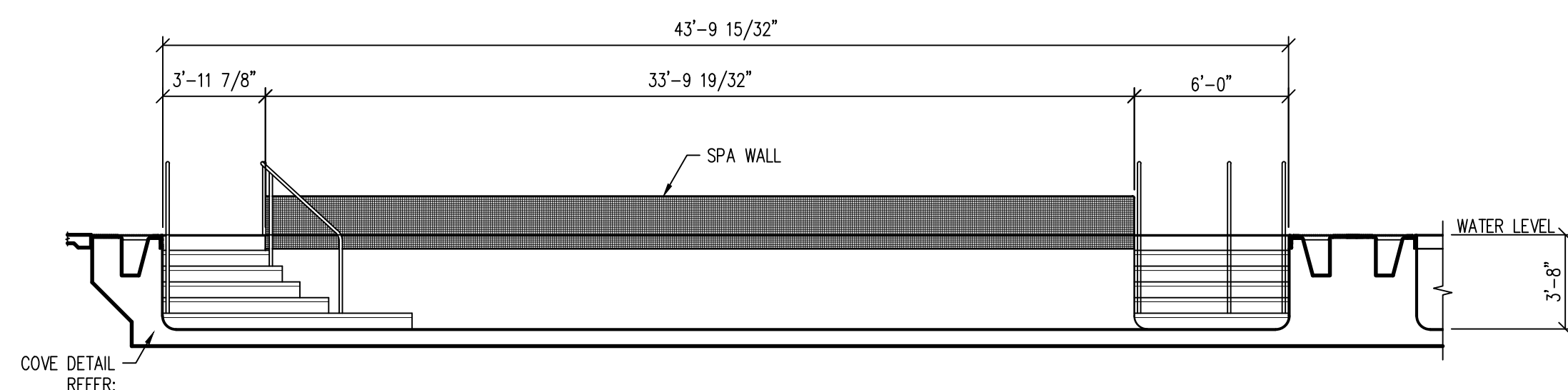
1 POOL REFERENCE SECTION
SP-1.1 3/16" = 1'-0" 07/10/12



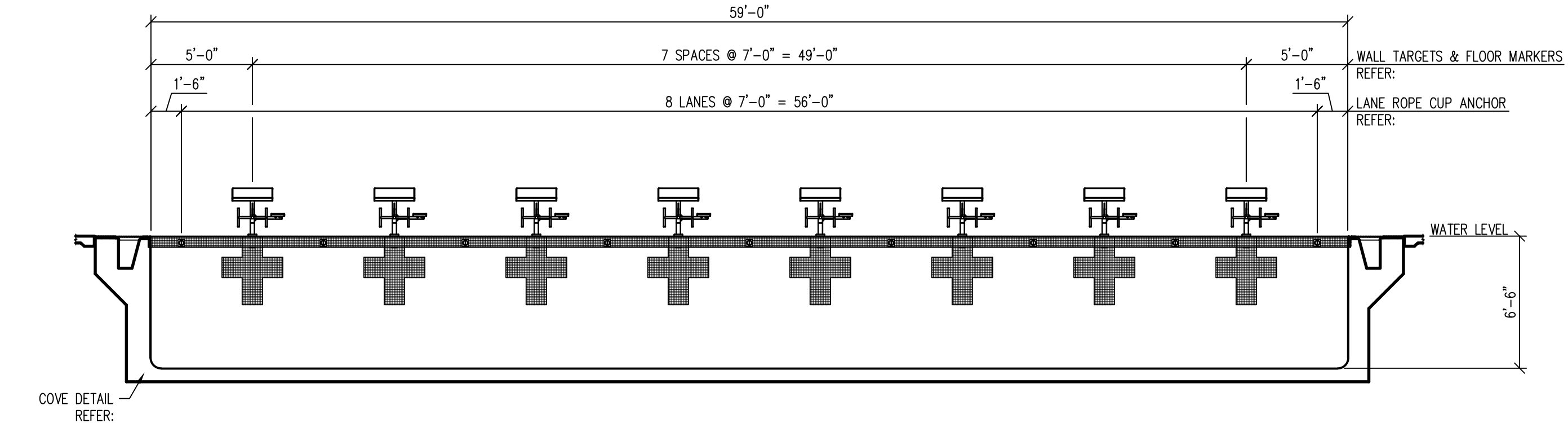
6 POOL REFERENCE SECTION
SP-1.1 3/16" = 1'-0" 07/10/12



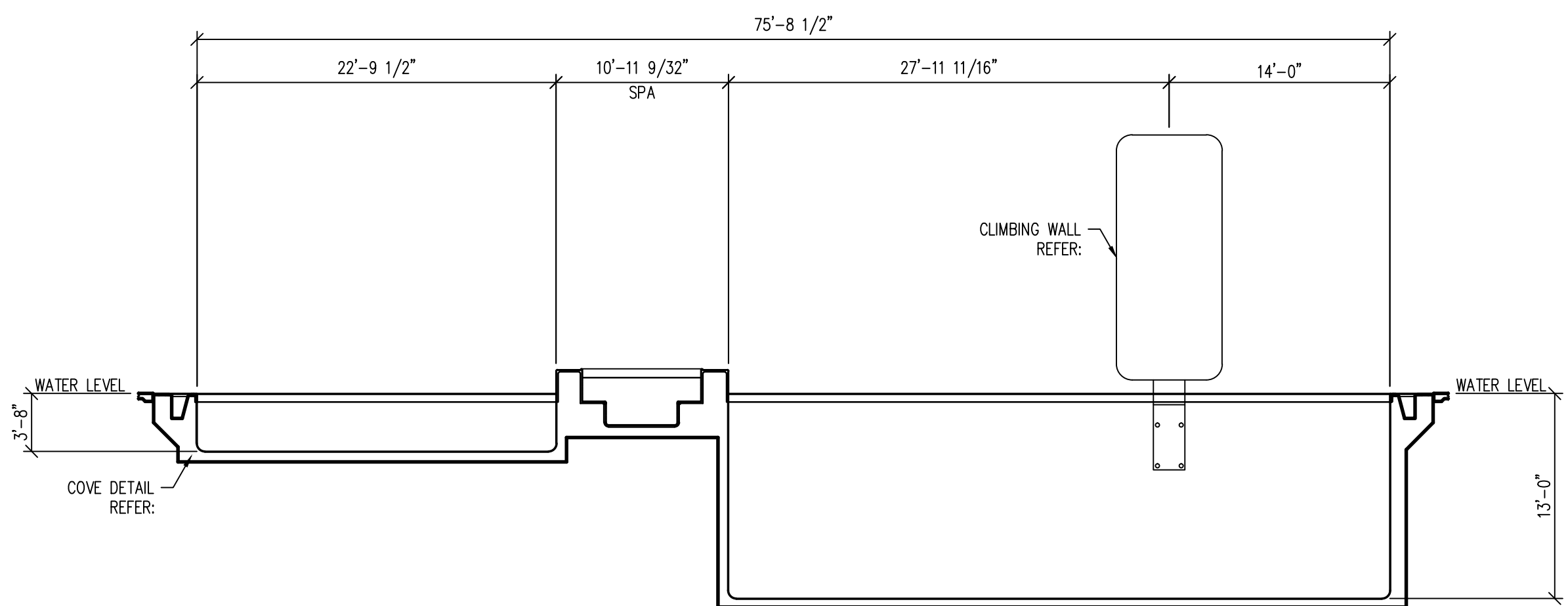
2 POOL REFERENCE SECTION
SP-1.1 3/16" = 1'-0" 07/10/12



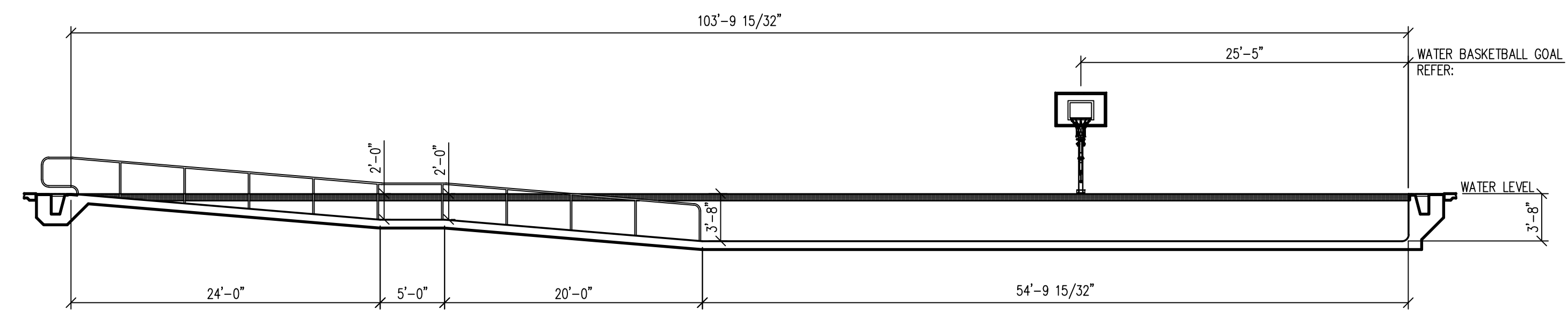
7 POOL REFERENCE SECTION
SP-1.1 3/16" = 1'-0" 07/10/12



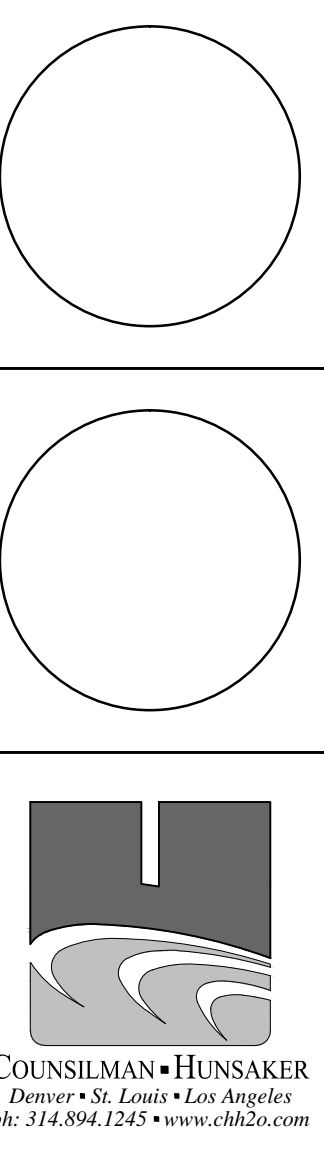
3 POOL REFERENCE SECTION
SP-1.1 3/16" = 1'-0" 07/10/12



8 POOL REFERENCE SECTION
SP-1.1 1/8" = 1'-0" 07/10/12



4 POOL REFERENCE SECTION
SP-1.1 1/8" = 1'-0" 07/10/12



COUNSELLMAN HUNSAKER
212 North Upper Street
Lexington, Kentucky 40507-1001
p 859.252.6664 f 859.253.2358
www.omniarchitects.com

Omni ARCHITECTS
212 North Upper Street
Lexington, Kentucky 40507-1001
p 859.252.6664 f 859.253.2358
www.omniarchitects.com

NKU PROJECTS
212 North Upper Street
Lexington, Kentucky 40507-1001
p 859.252.6664 f 859.253.2358
www.omniarchitects.com



Revision #	Revision Description

Leisure Pool Sections #
NKU Project Number: 05/30/2012
Project Number: 05/30/2012
Date: 05/30/2012
Drawn By: BMH
Checked By: SWC