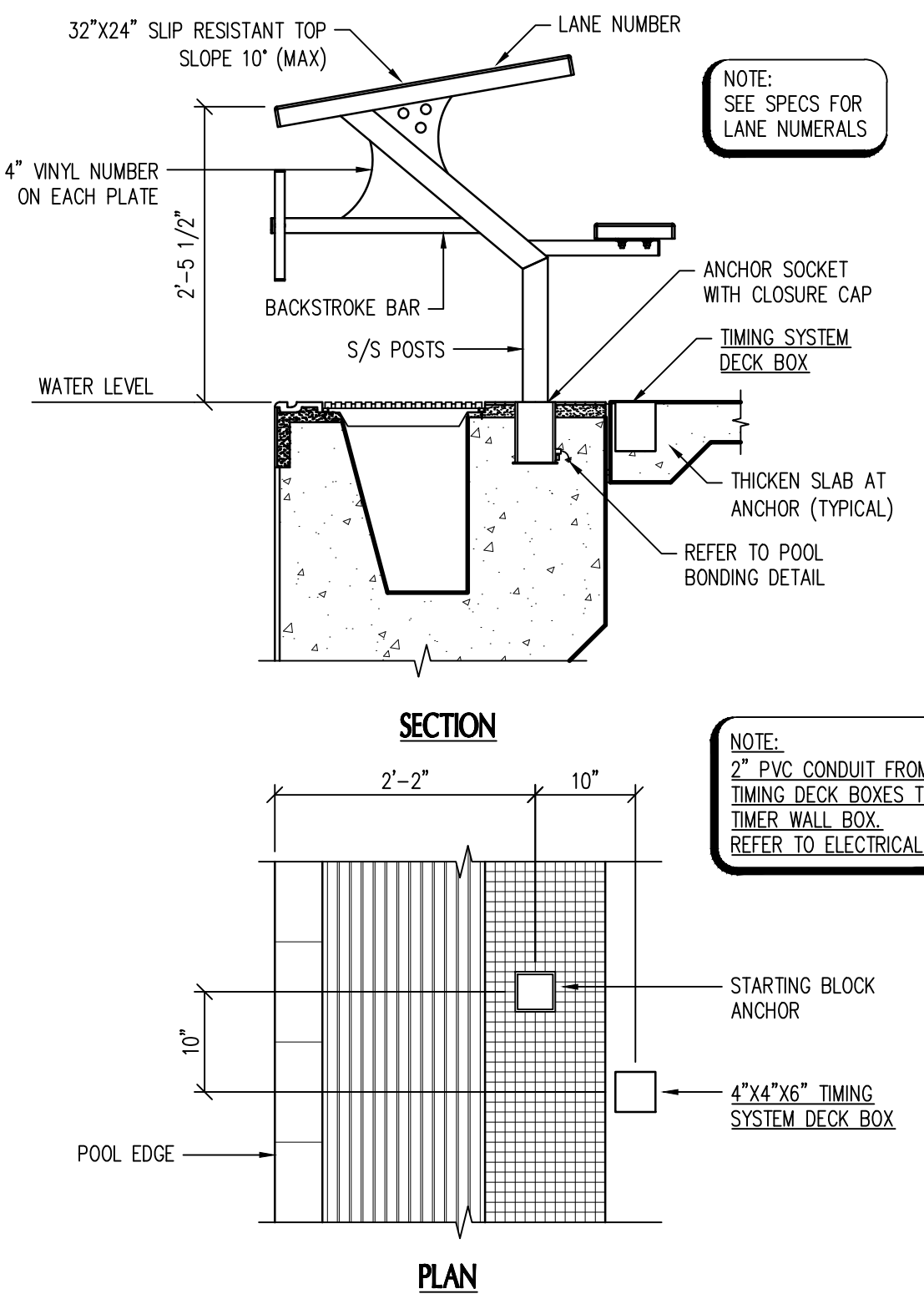
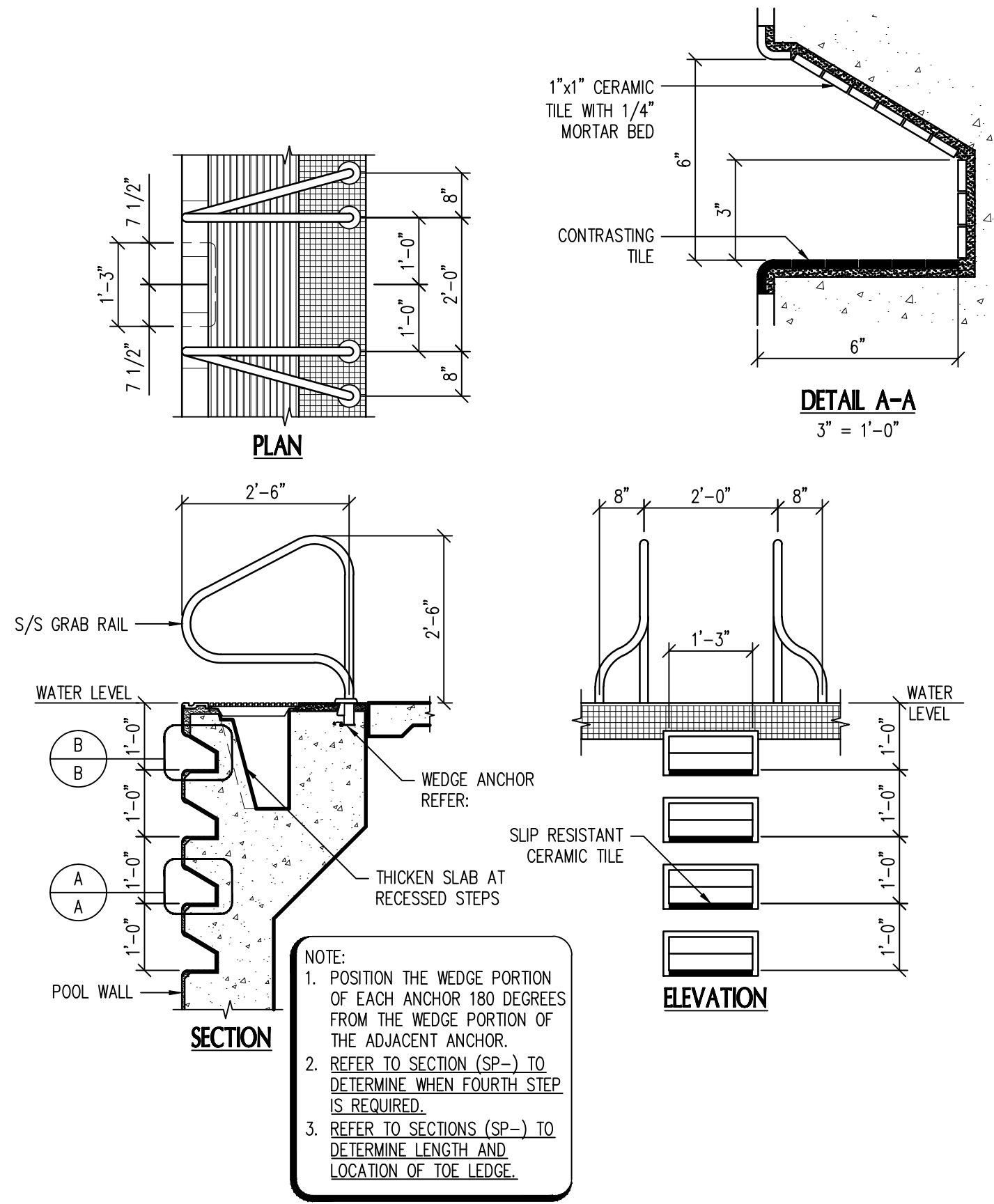


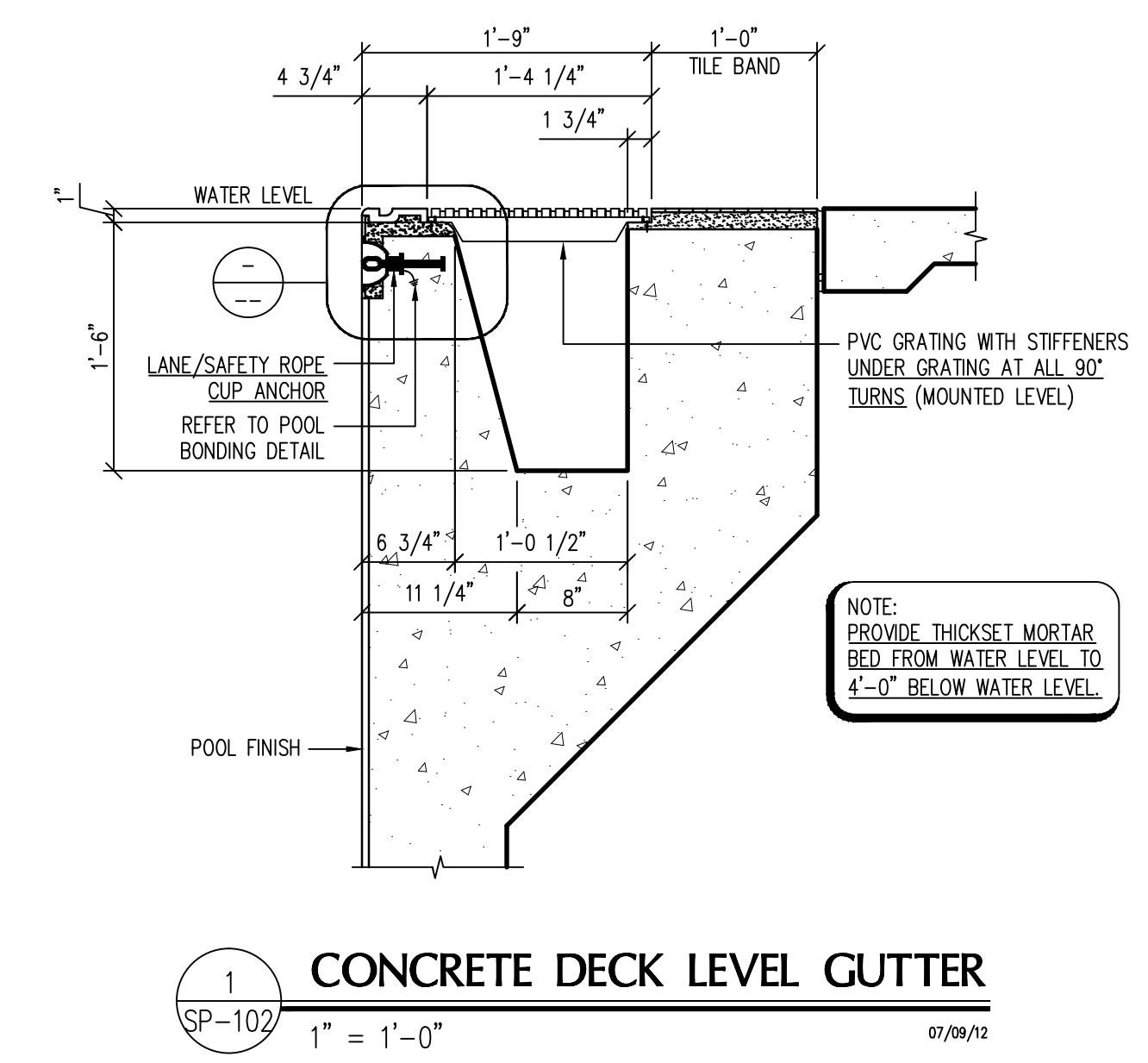
**11 STANCHION POST & ANCHOR**  
 SP-102 3" = 1'-0" 07/09/12



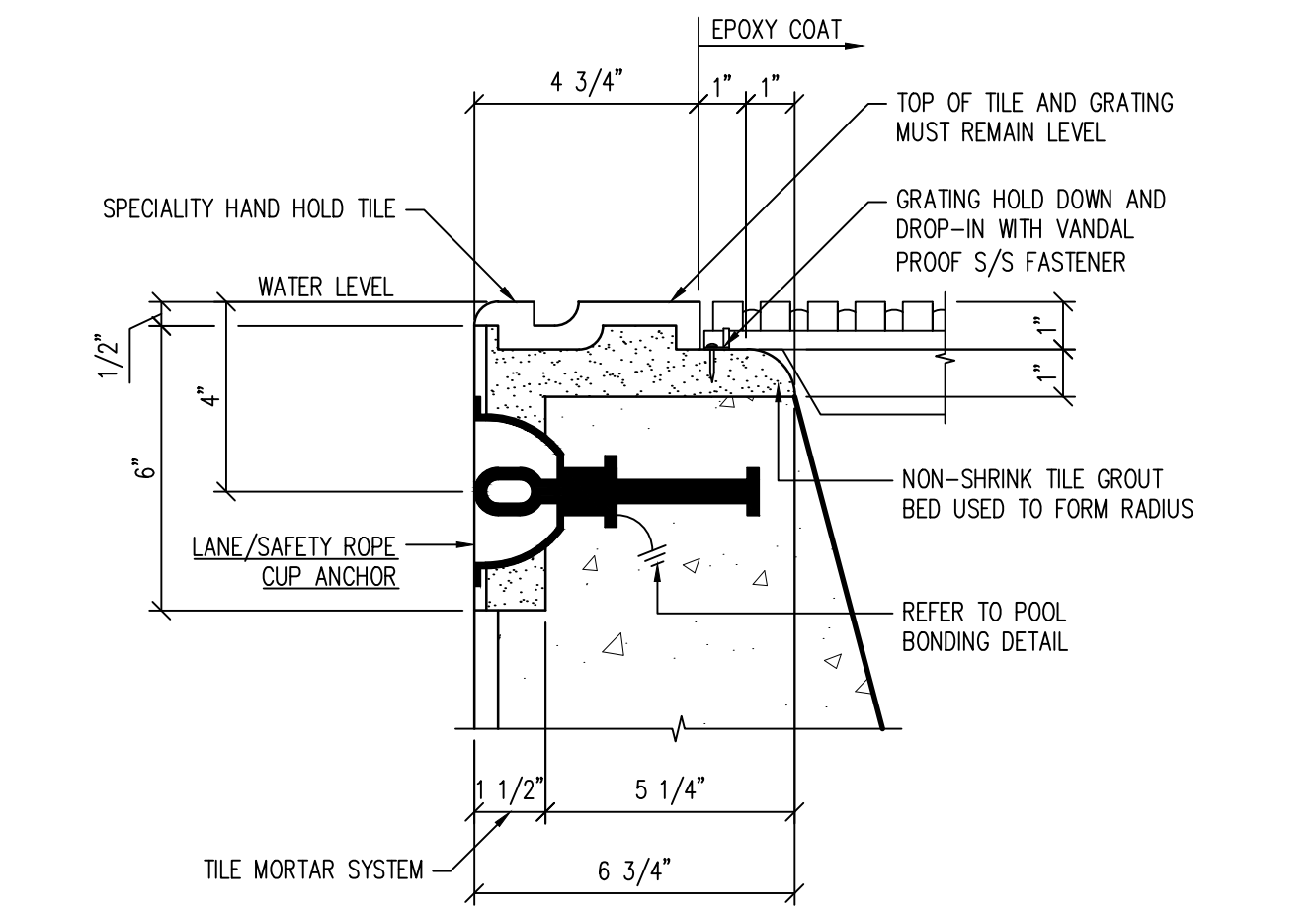
**8 STARTING BLOCK**  
 SP-102 3/4" = 1'-0" 07/09/12



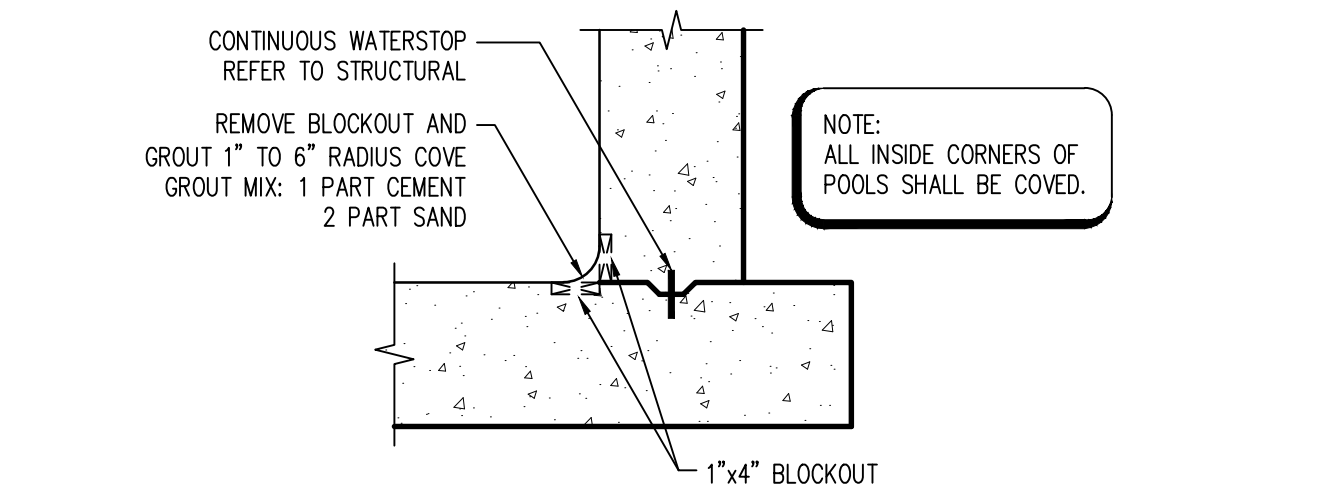
**5 GRAB RAILS & RECESSED STEPS**  
 SP-102 1/2" = 1'-0" 07/09/12



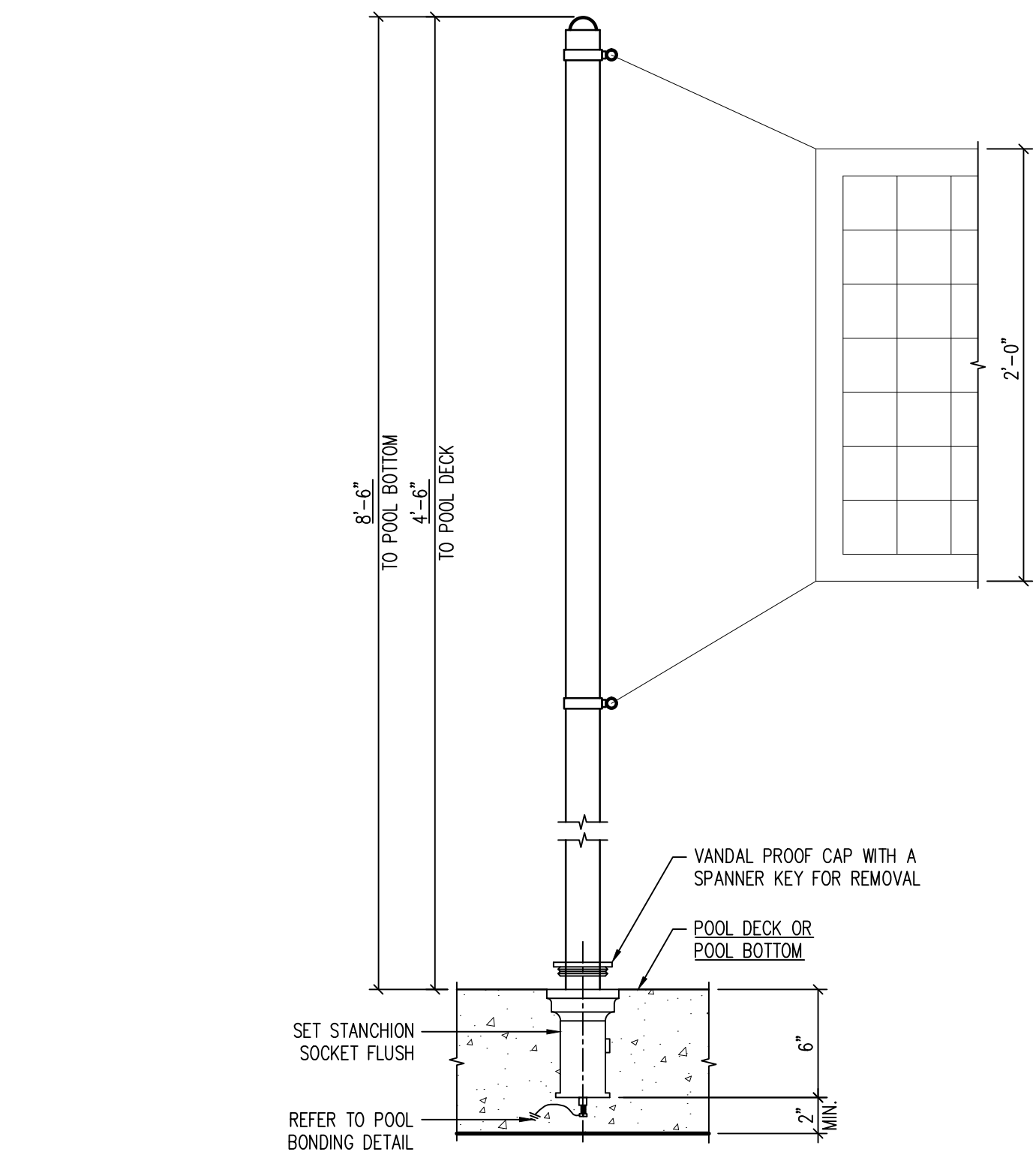
**1 CONCRETE DECK LEVEL GUTTER**  
 SP-102 1" = 1'-0" 07/09/12



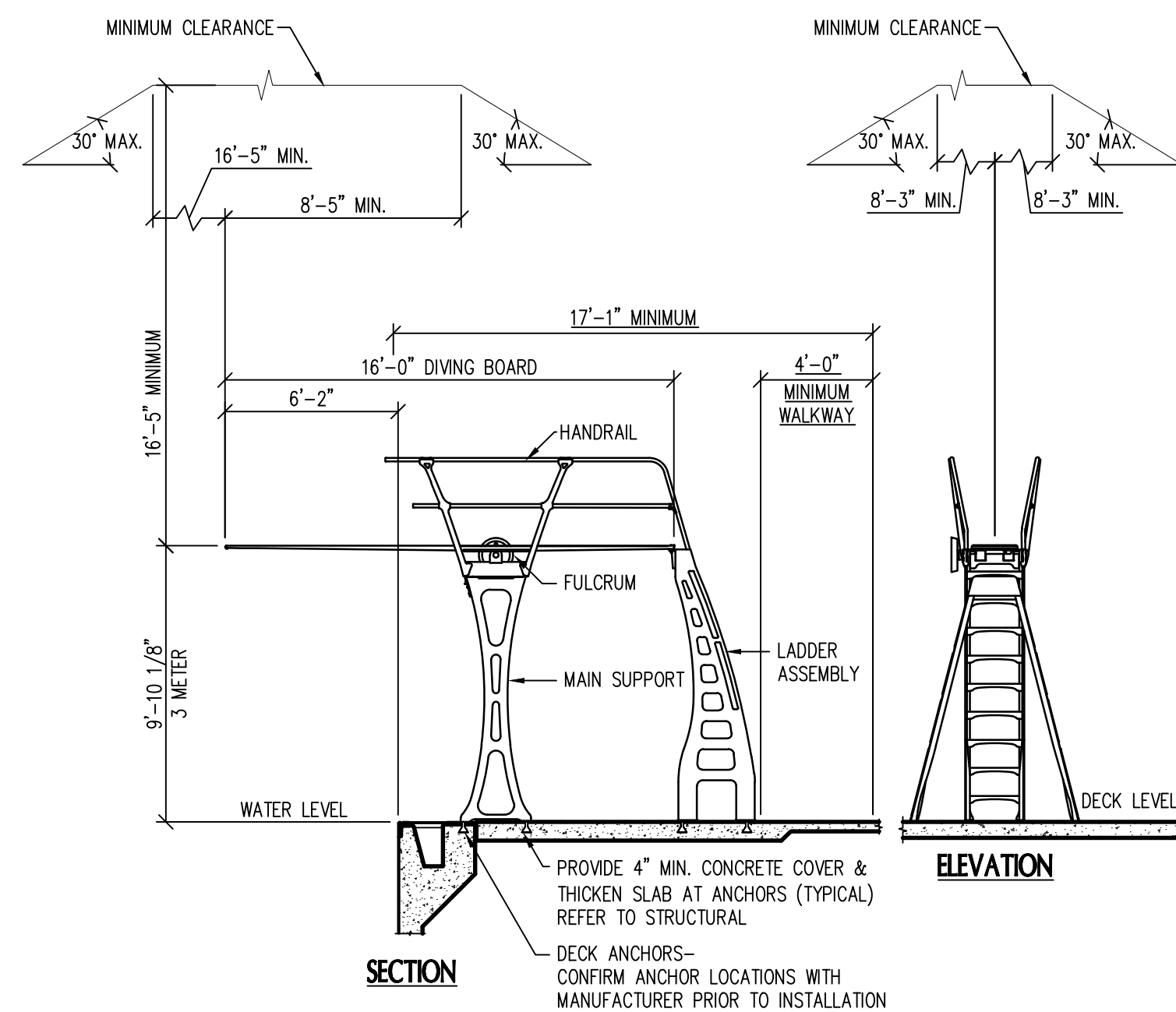
**2 GUTTER LIP**  
 SP-102 3" = 1'-0" 07/09/12



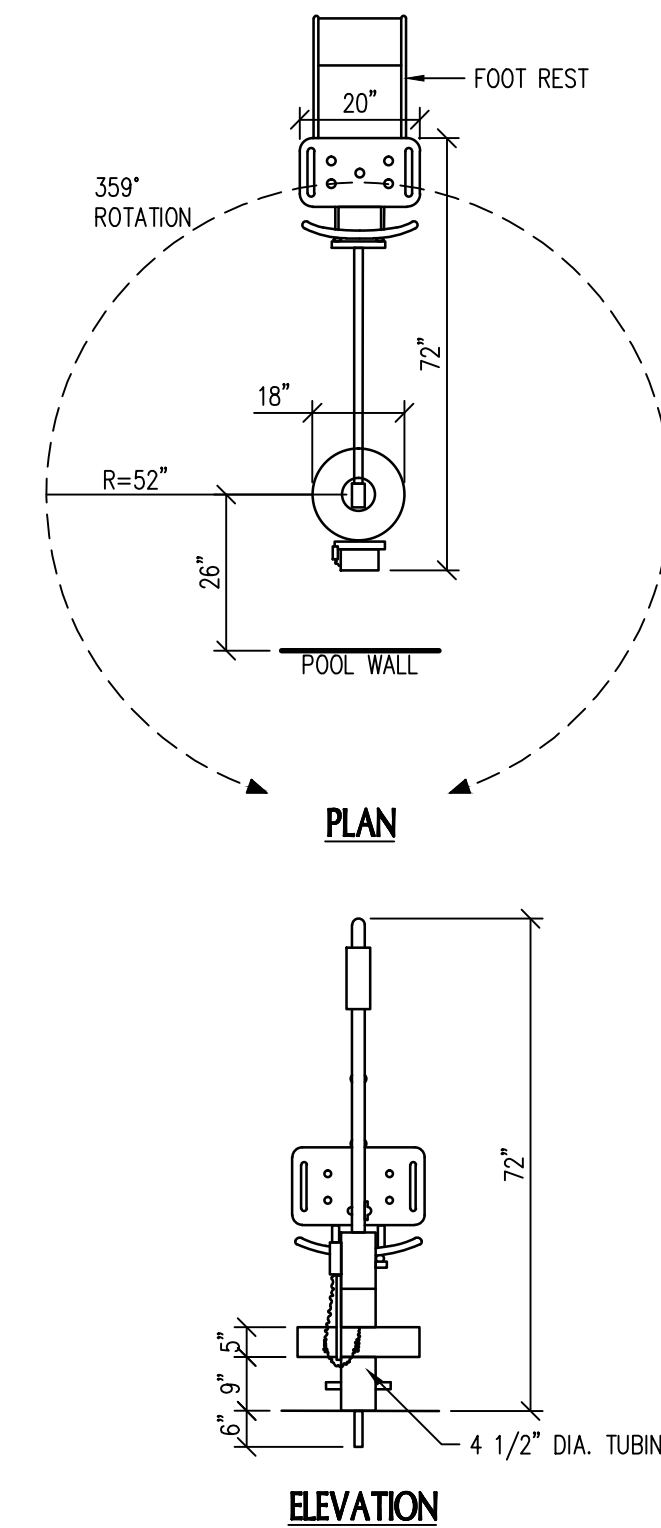
**3 CAST IN PLACE CONCRETE COVE**  
 SP-102 3/4" = 1'-0" 07/09/12



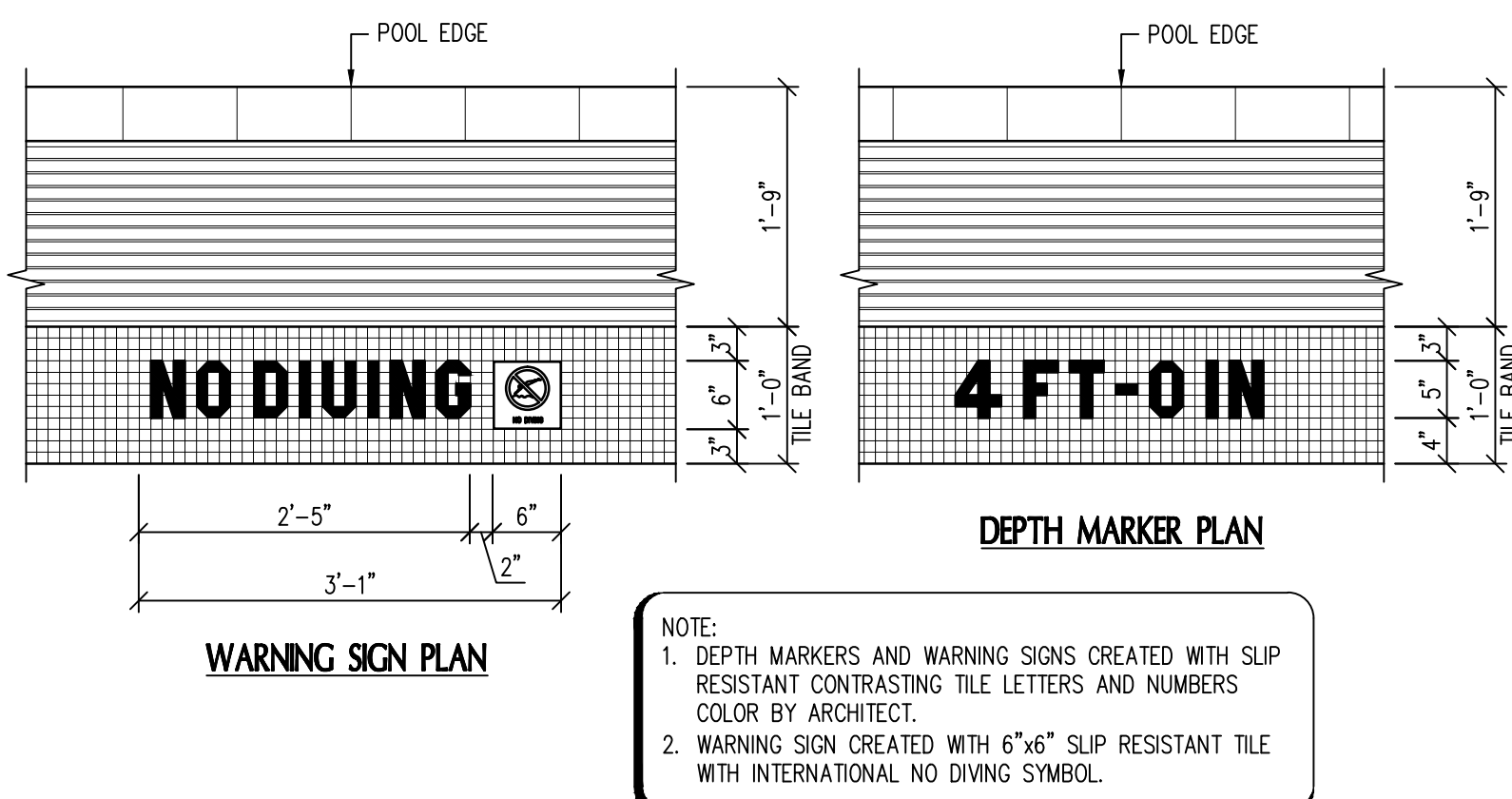
**12 WATER VOLLEYBALL STANCHION POST & ANCHOR**  
 SP-102 1 1/2" = 1'-0" 07/09/12



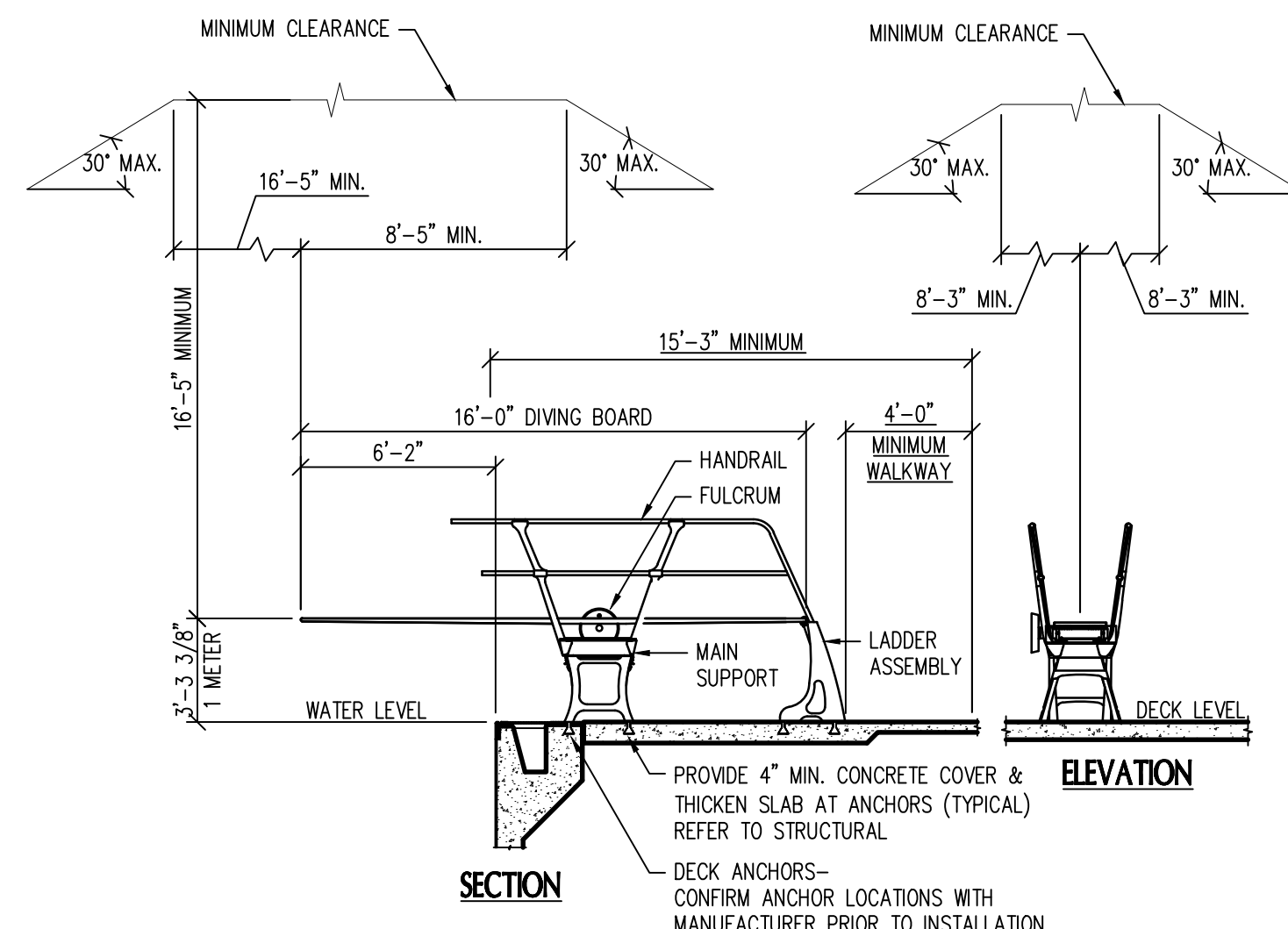
**9 THREE METER DIVING STAND**  
 SP-102 3/16" = 1'-0" 07/09/12



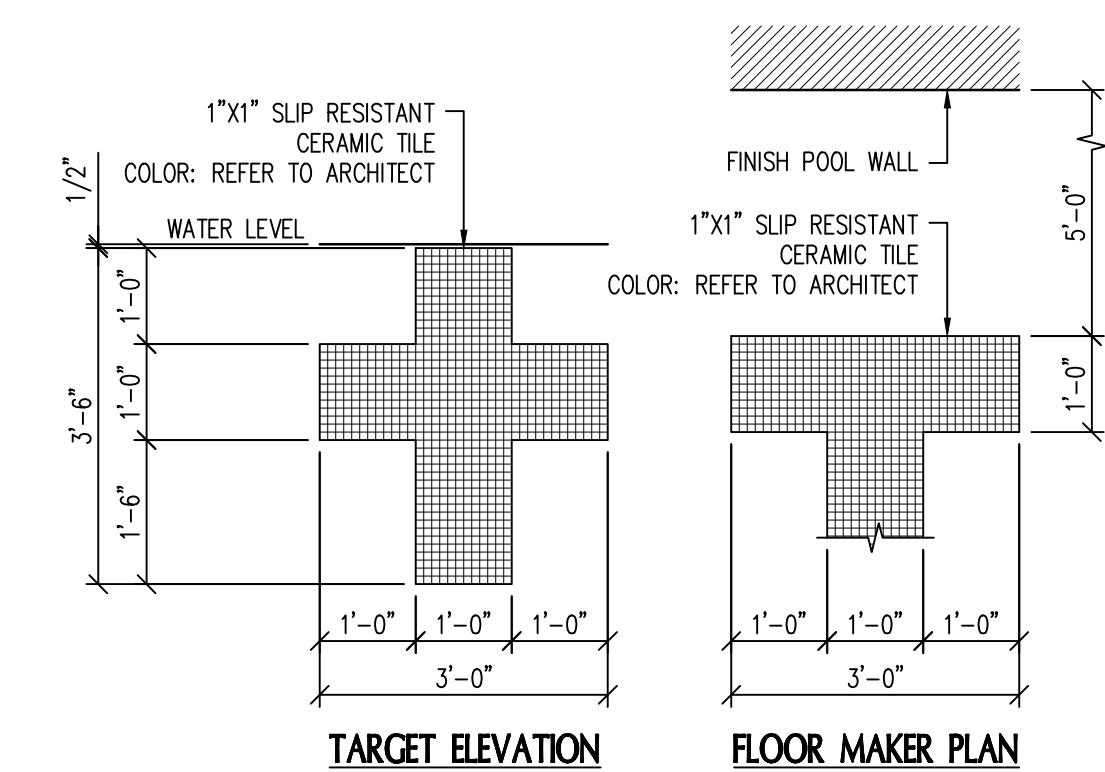
**6 POOL LIFT**  
 SP-102 3/8" = 1'-0" 07/09/12



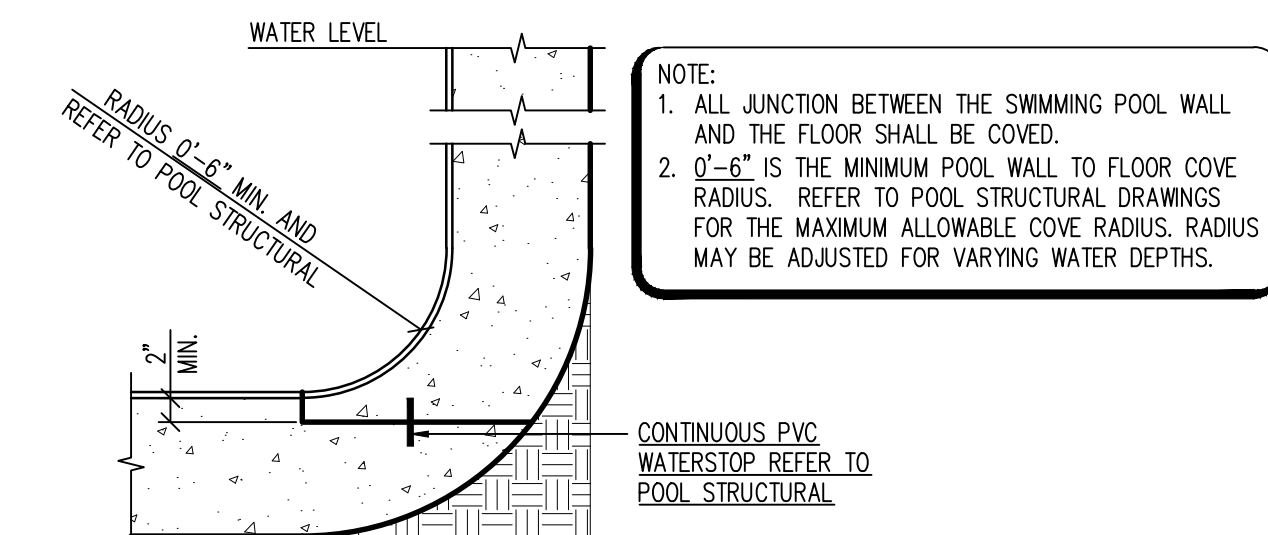
**13 DEPTH MARKERS & WARNING SIGNS**  
 SP-102 3/4" = 1'-0" 07/09/12



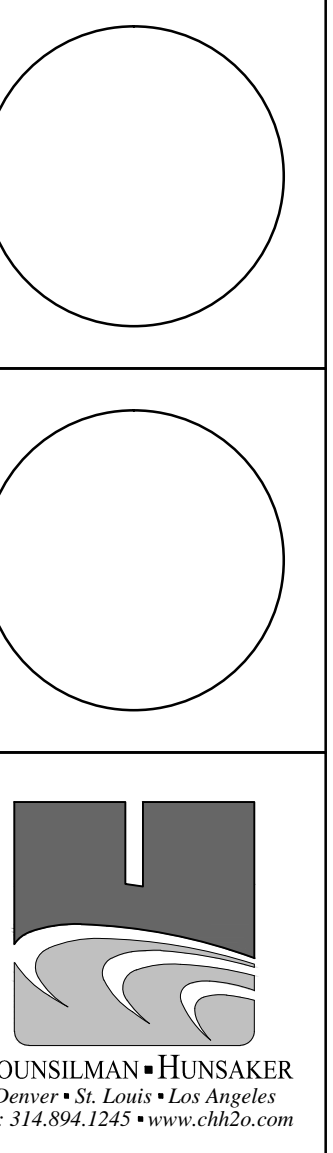
**10 ONE METER DIVING STAND**  
 SP-102 3/16" = 1'-0" 07/09/12



**7 WALL TARGETS & FLOOR MARKERS**  
 SP-102 1/2" = 1'-0" 07/09/12



**4 PNEUMATICALLY APPLIED CONCRETE COVE**  
 SP-102 3/4" = 1'-0" 07/09/12



COUNSLMAN+HUNSAKER  
 212 North Upper Street  
 Lexington, Kentucky 40507-1001  
 p 859.252.6664 f 859.253.2358  
 www.omniarchitects.com

Omni ARCHITECTS

212 North Upper Street  
 Lexington, Kentucky 40507-1001  
 p 859.252.6664 f 859.253.2358  
 www.omniarchitects.com

Omni ARCHITECTS



Leisure Pool Details	#	Revision Date
Project Number	05/30/2012	SVC
Date		
Drawn By	BMH	Checked By: