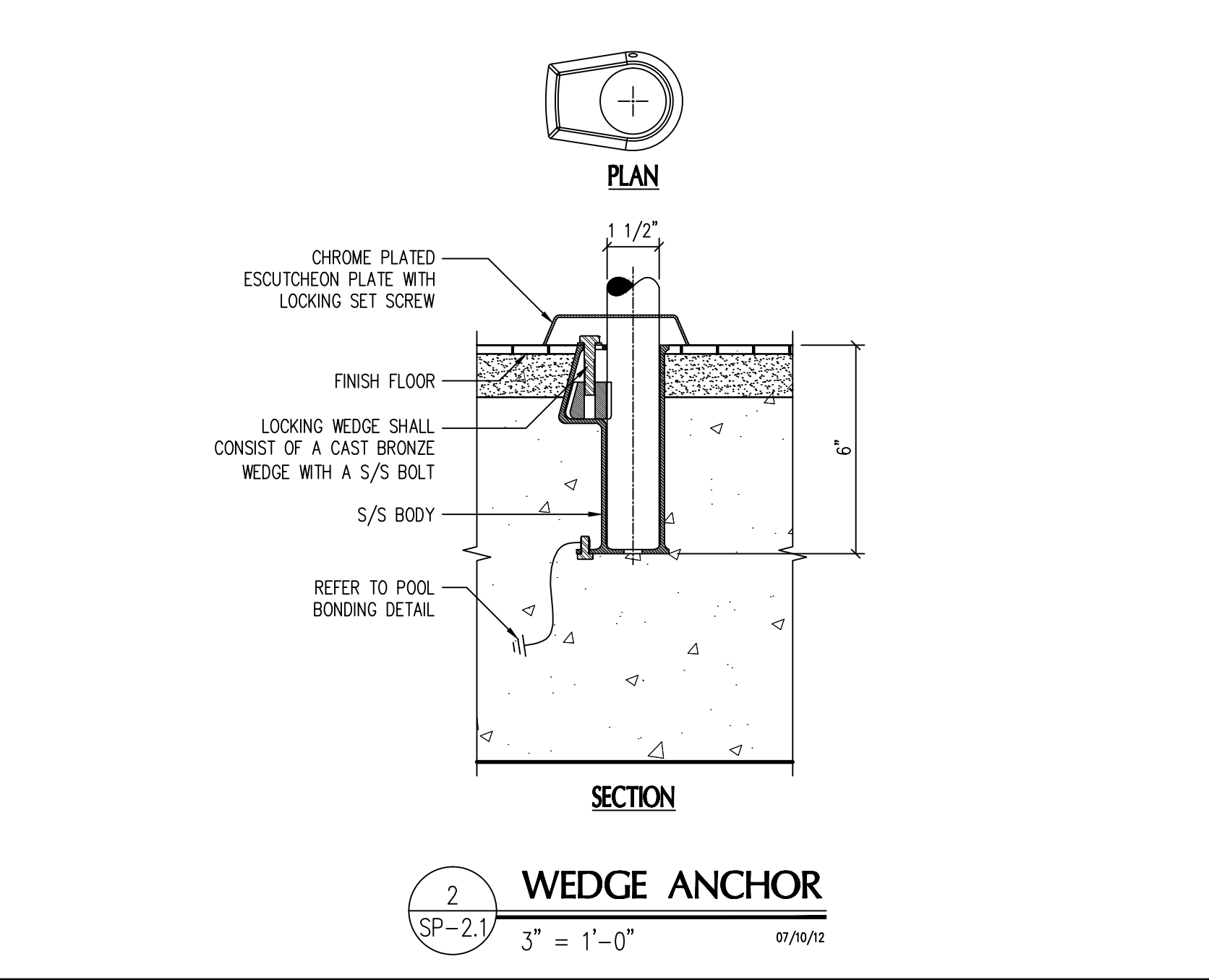
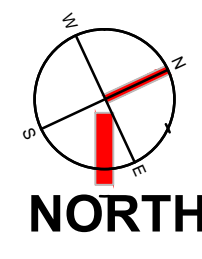


NOTE:
 1. DEPTH MARKERS AND WARNING SIGNS CREATED WITH SLIP RESISTANT CONTRASTING TILE LETTERS AND NUMBERS COLOR BY ARCHITECT.
 2. WARNING SIGN CREATED WITH 6"x6" SLIP RESISTANT TILE WITH INTERNATIONAL NO DIVING SYMBOL.

1 DEPTH MARKERS & WARNING SIGNS
 3/4" = 1'-0" 07/10/12



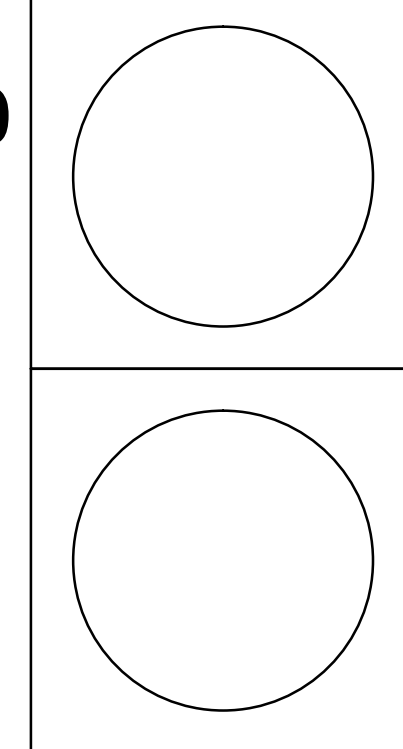
2 WEDGE ANCHOR
 3" = 1'-0" 07/10/12



Northern Kentucky University - Student Recreation Center 50% DD Package



Omni ARCHITECTS
 212 North Upper Street
 Lexington, Kentucky 40507-1001
 p 859.252.6664 f 859.253.2358
 www.omniarchitects.com



Drawing Name:	Spa Details	#	Revision Date
NKU Project Number:			
Project Number:	Project Number		
Date:	05/30/2012		
Drawn By:	BMH	Checked By:	SWC

SP-2.1