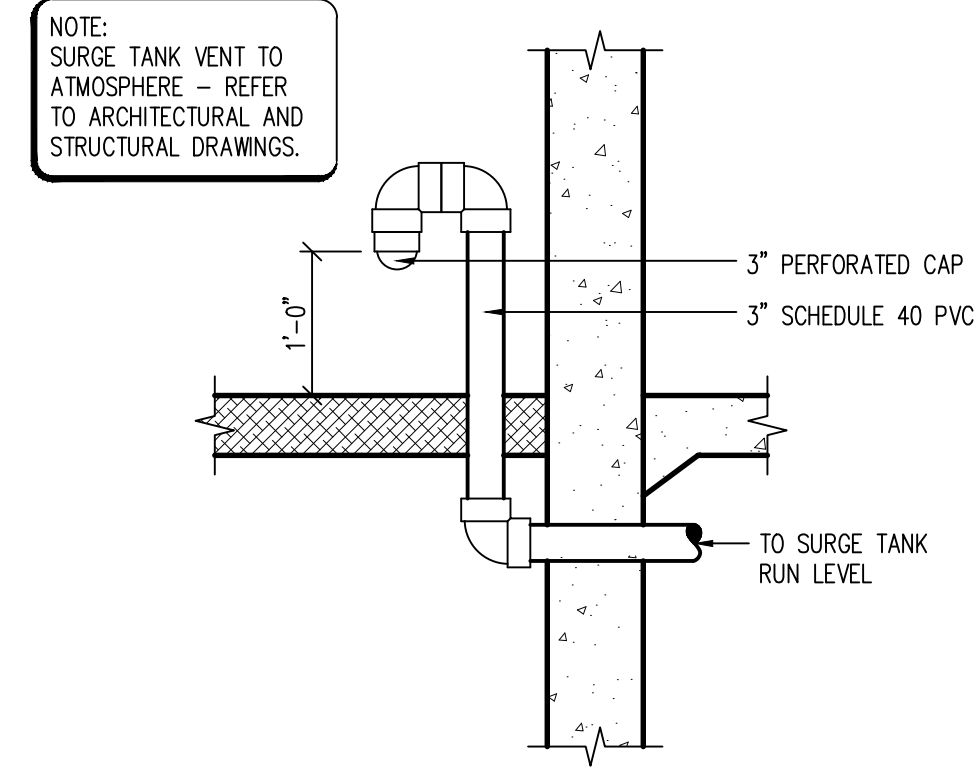
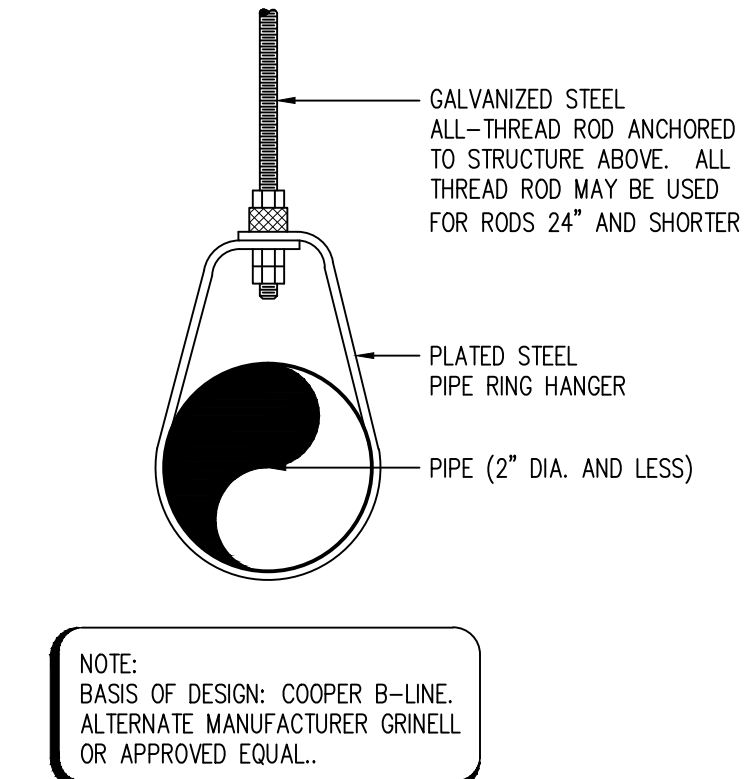


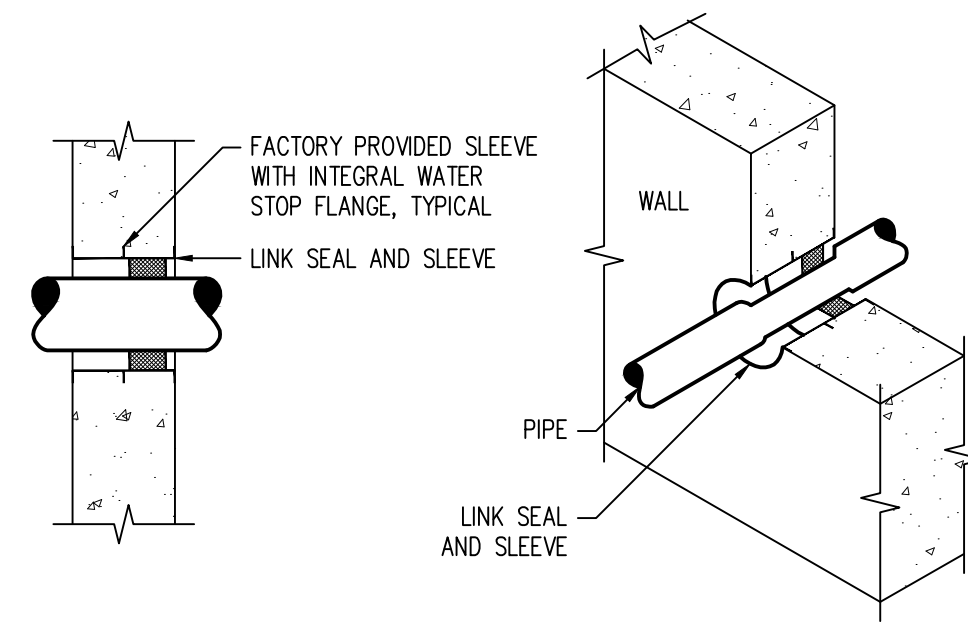
**8 SUPPORT TEE**  
SP-5.4 3/4" = 1'-0" 07/09/12



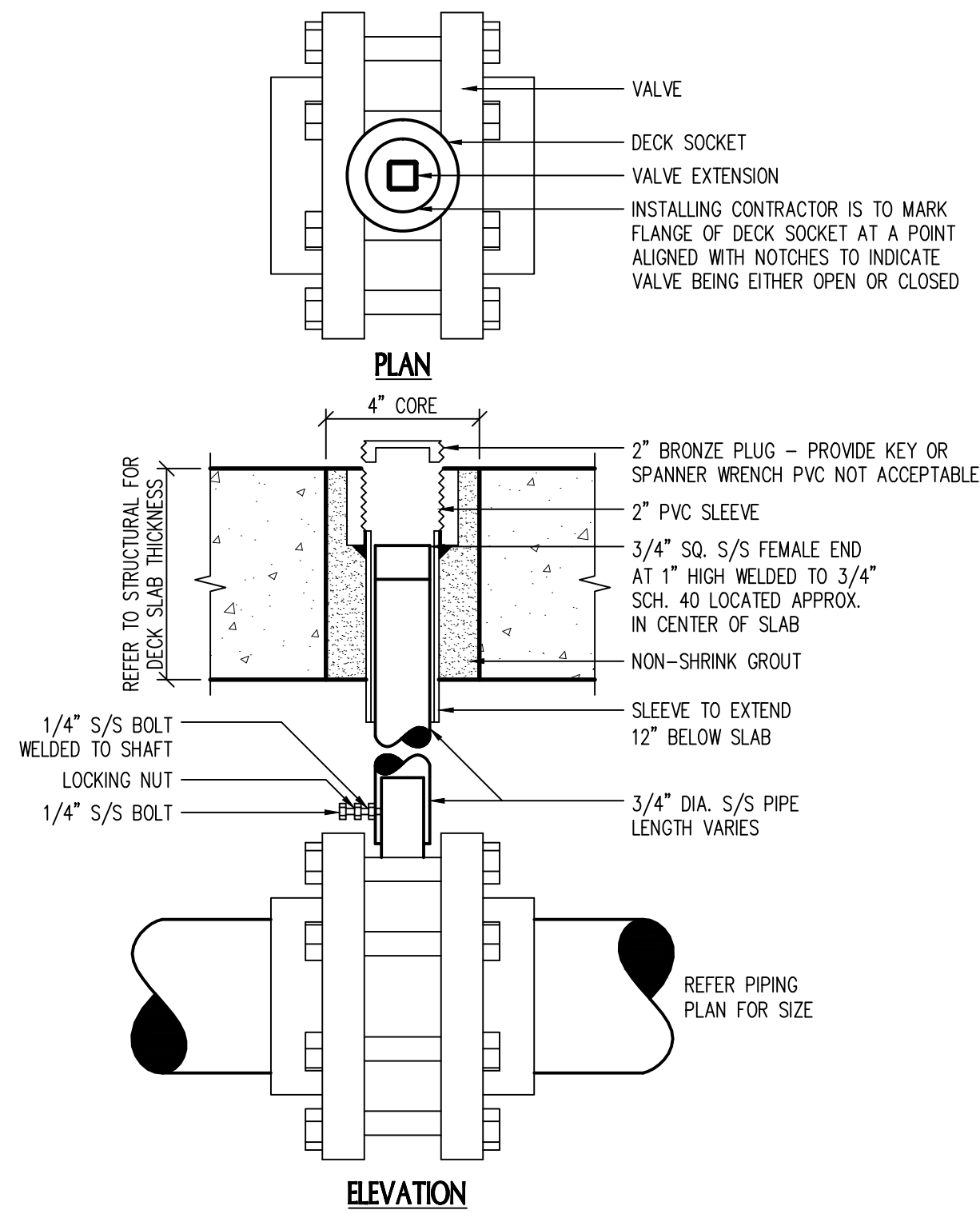
**5 SURGE TANK VENT**  
SP-5.4 3/4" = 1'-0" 07/09/12



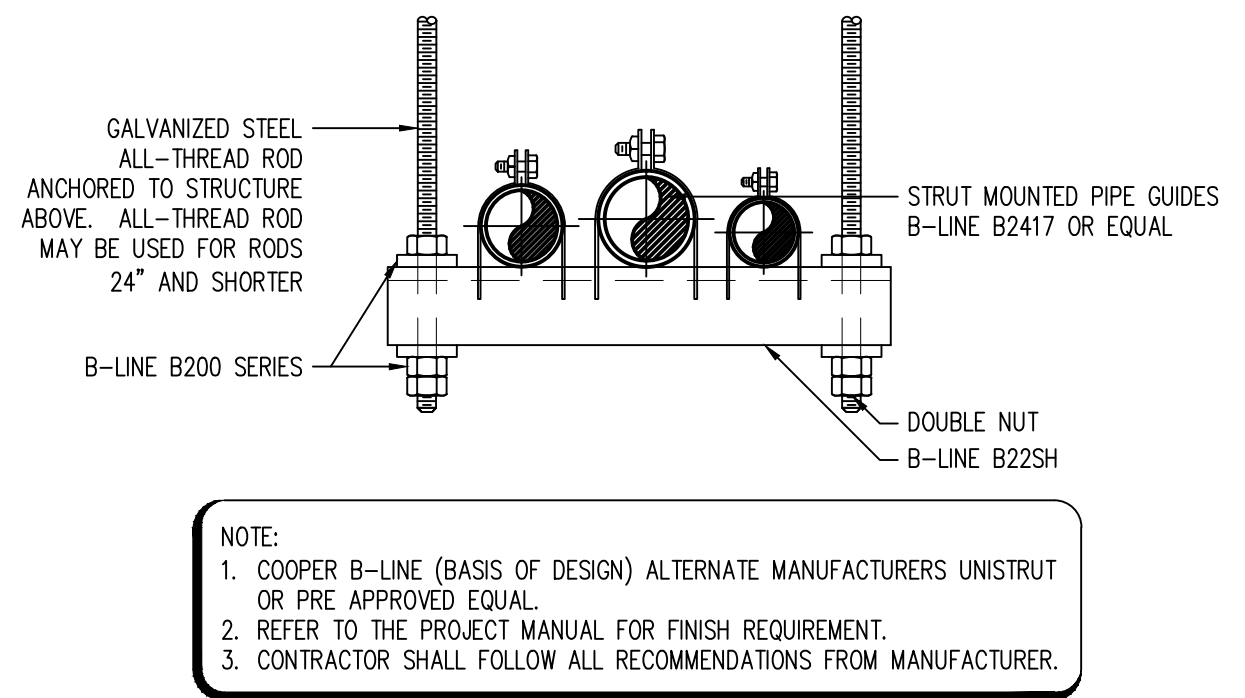
**1 SWIVEL RING PIPE HANGER**  
SP-5.4 1 1/2" = 1'-0" 07/09/12



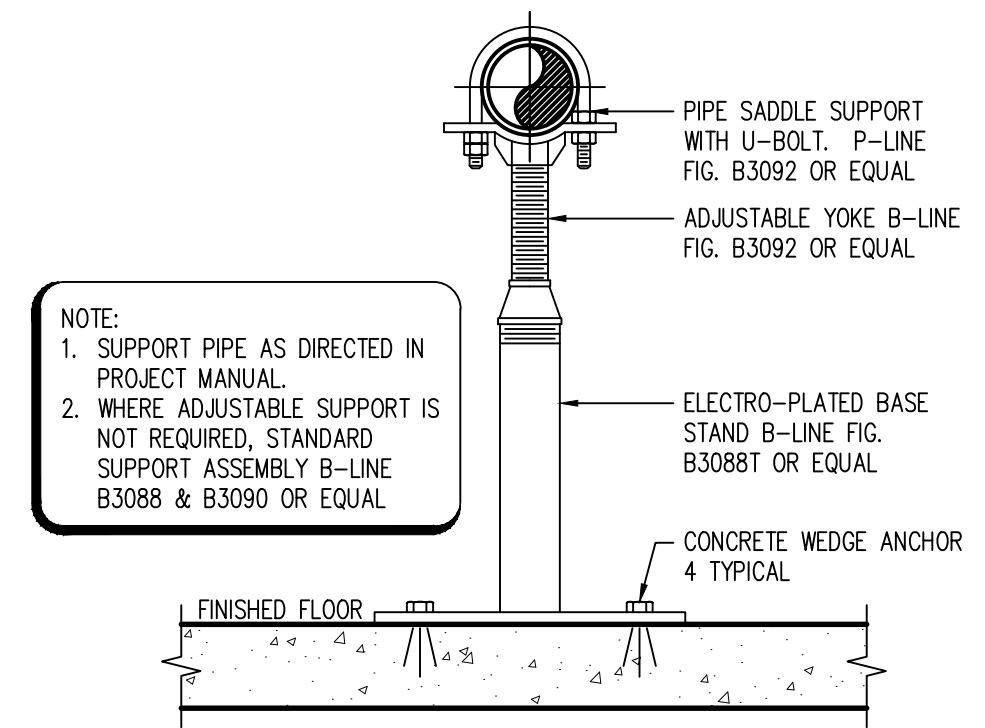
**9 LINK SEAL**  
SP-5.4 3/4" = 1'-0" 07/09/12



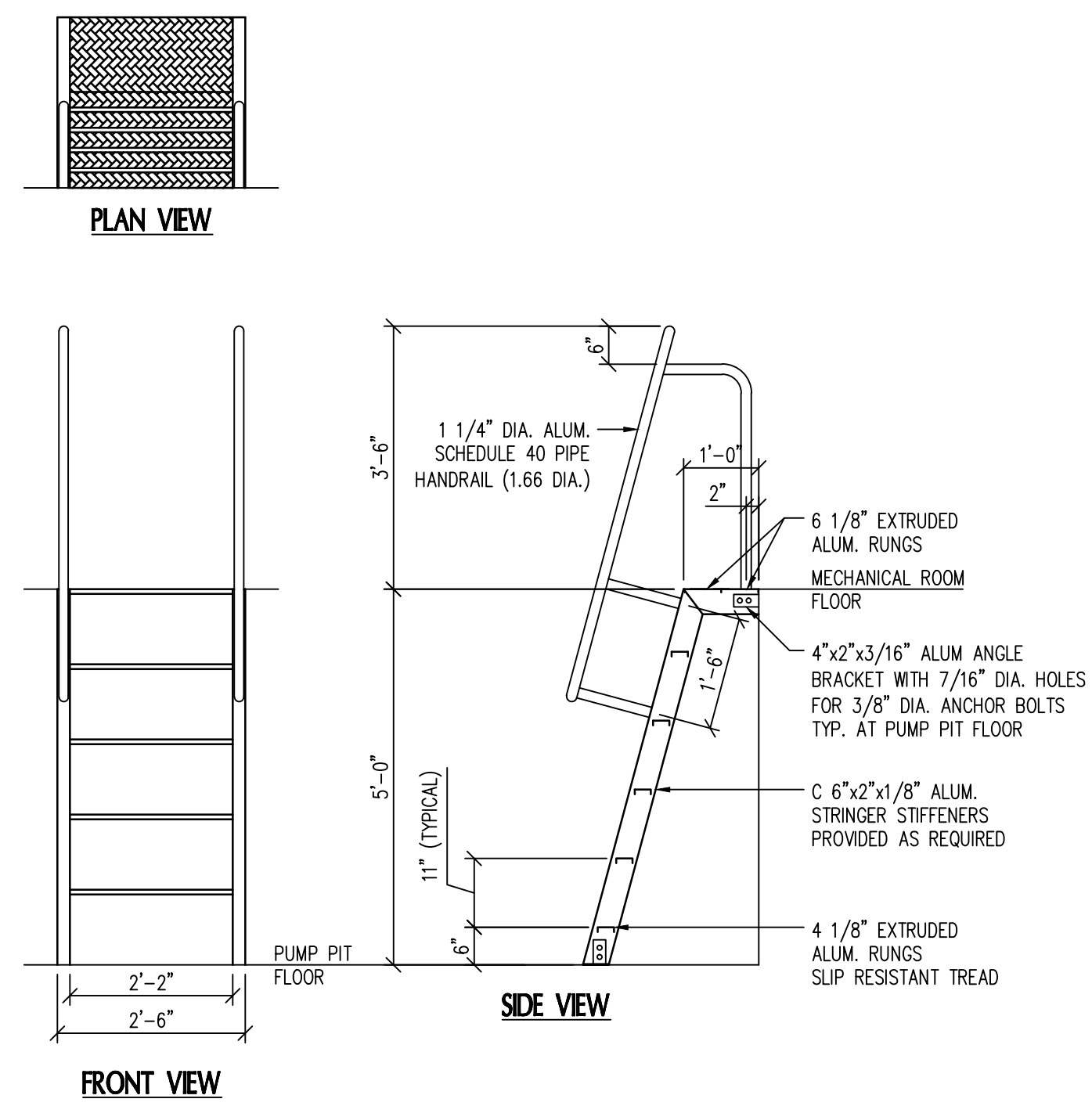
**6 VALVE EXTENSION**  
SP-5.4 3" = 1'-0" 07/09/12



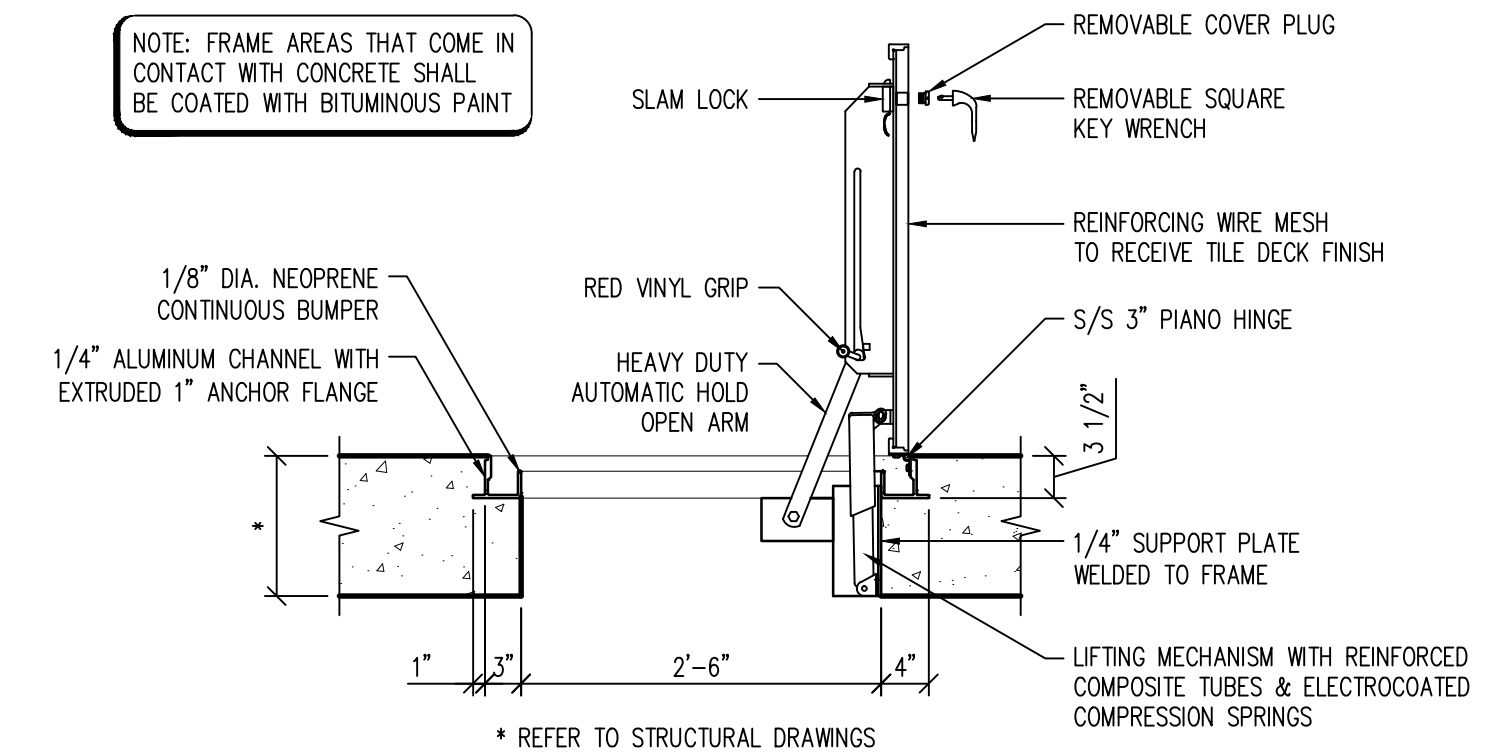
**2 TRAPEZE HANGER**  
SP-5.4 3" = 1'-0" 07/09/12



**3 FLOOR MOUNTED PIPE SUPPORT**  
SP-5.4 3" = 1'-0" 07/09/12



**7 SHIP'S LADDER**  
SP-5.4 1/2" = 1'-0" 07/09/12



**4 SURGE TANK ACCESS HATCH**  
SP-5.4 3/4" = 1'-0" 07/09/12

		212 North Upper Street Lexington, Kentucky 40507-1001 p 859.252.6664 f 859.253.2358 www.omniarchitects.com	
Drawing Name:	Pool Mechanical Details	Revision Date	#
NKU Project Number:	Project Number:	Date:	05/30/2012
Drawn By:	BMH	Checked By:	SWC