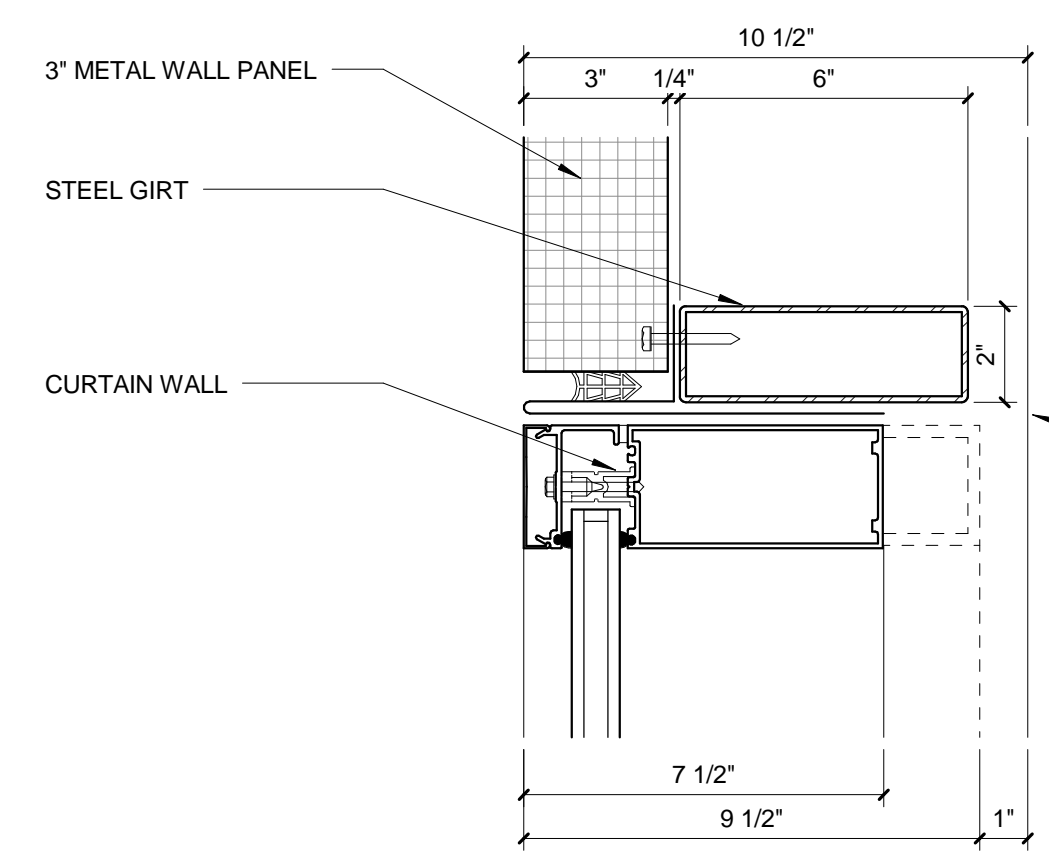
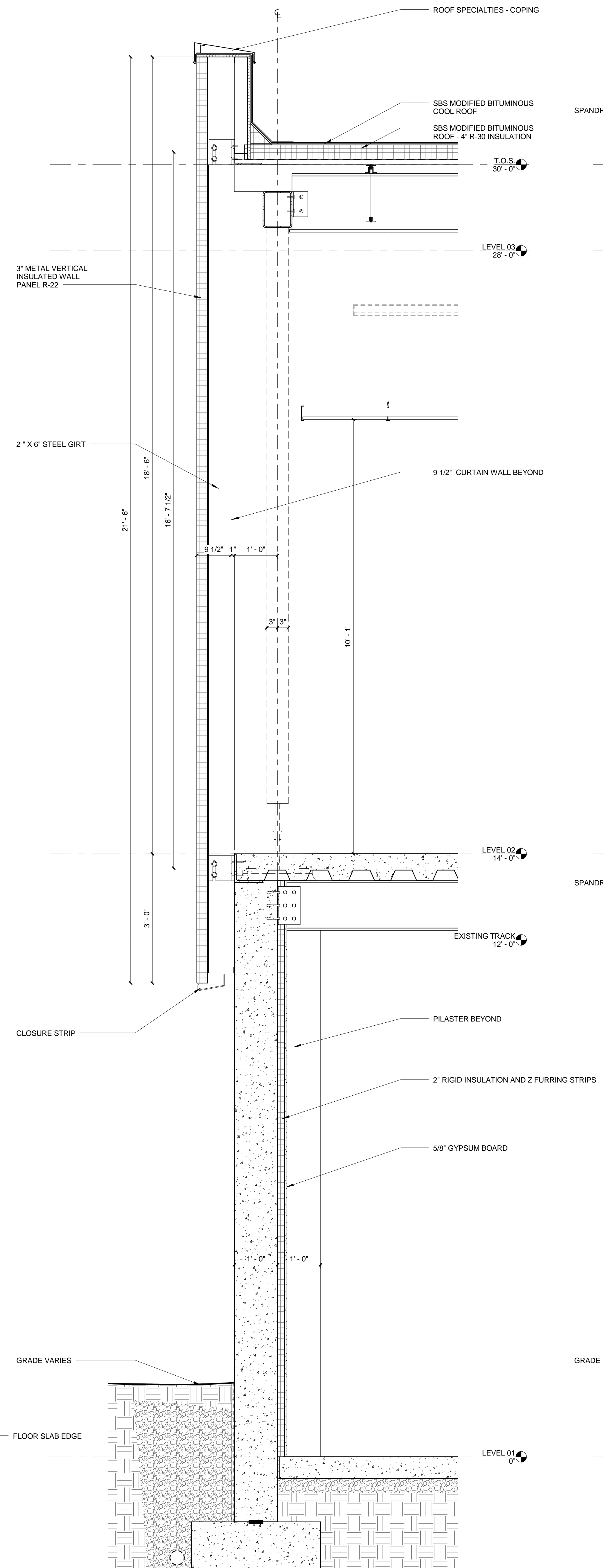


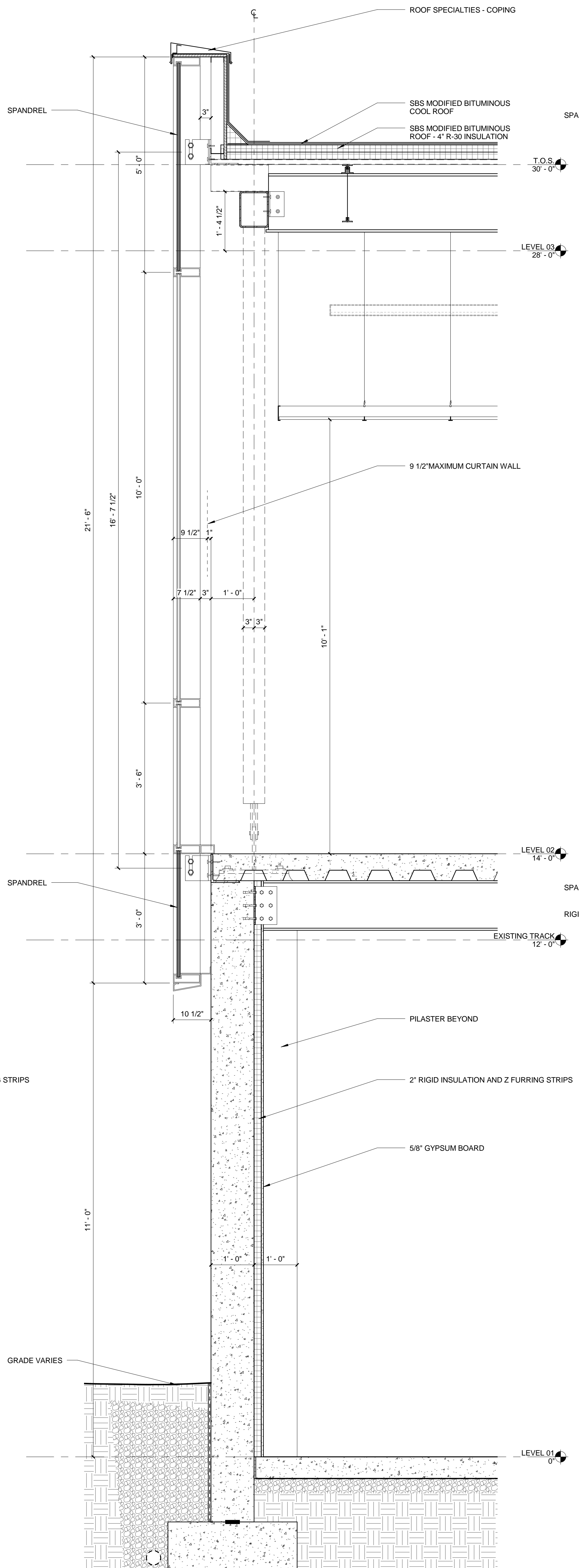
1/15/2012 1:36:58 PM



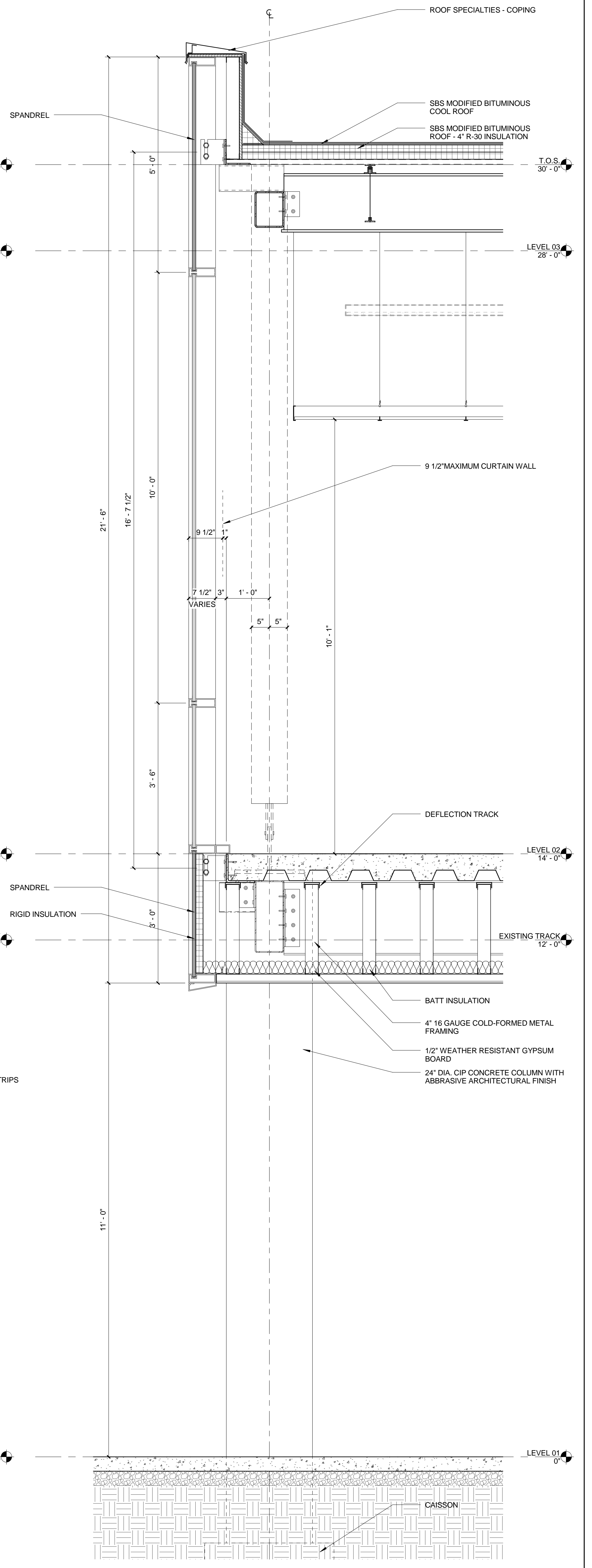
4 CURTAIN WALL METAL PANEL DETAIL
3" = 1'-0"



3 WESTWALL SECTION
3/4" = 1'-0"



2 WESTWALL SECTION
3/4" = 1'-0"



1 NORTH WALL SECTION
3/4" = 1'-0"

Northern Kentucky University - Campus Recreation Center

25% DD Package

Drawing Name:	Unnamed	#	Revision Date
NKU Project Number:	003869.00		
Project Number:	07/12/12		
Date:			
Drawn By:	Author	Checked By:	Checker



Omni ARCHITECTS
212 North Upper Street
Lexington, Kentucky 40507-1001
p 859.252.6664 f 859.253.2358
www.omniarchitects.com

CANNONDESIGN

A-401