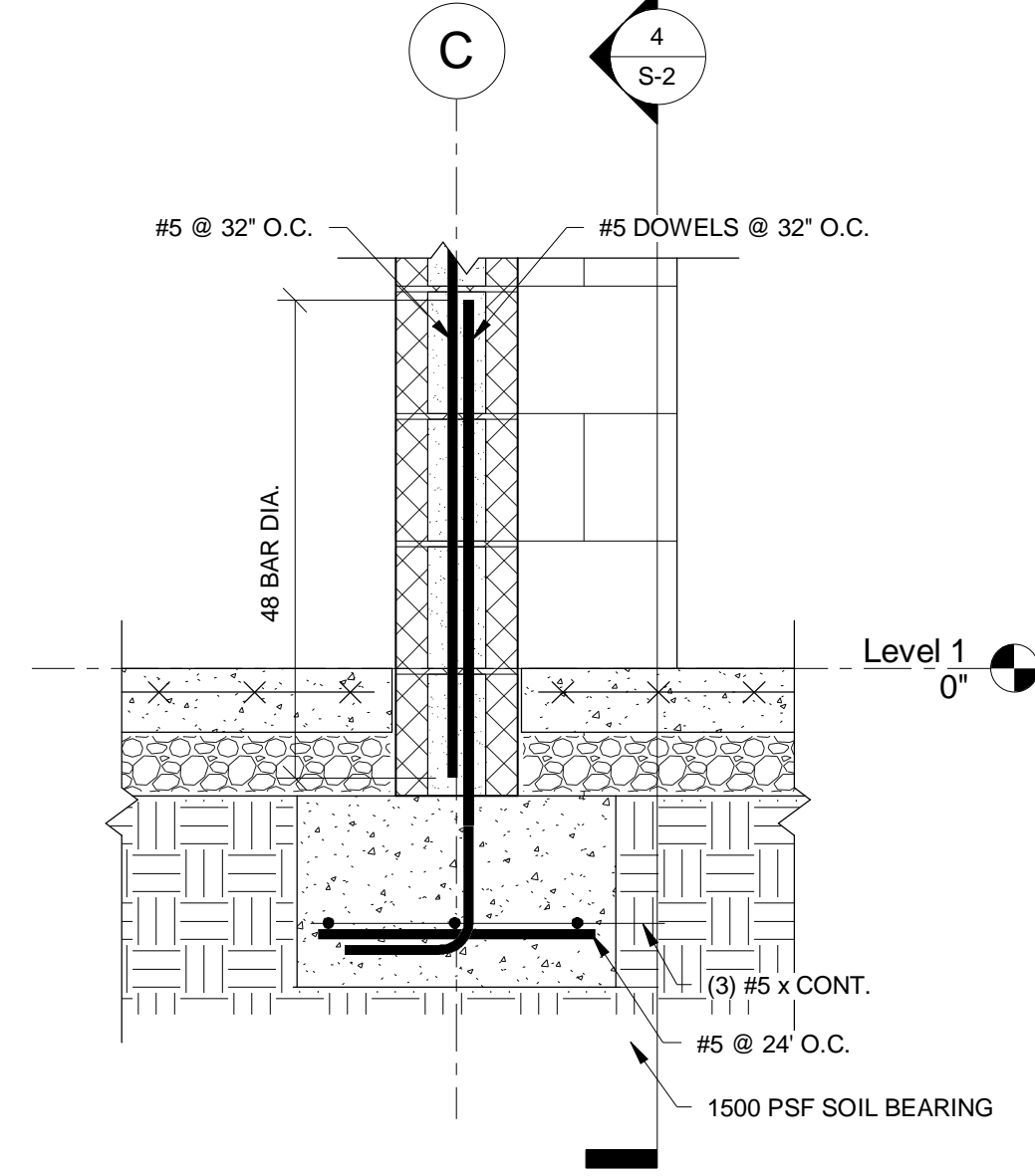
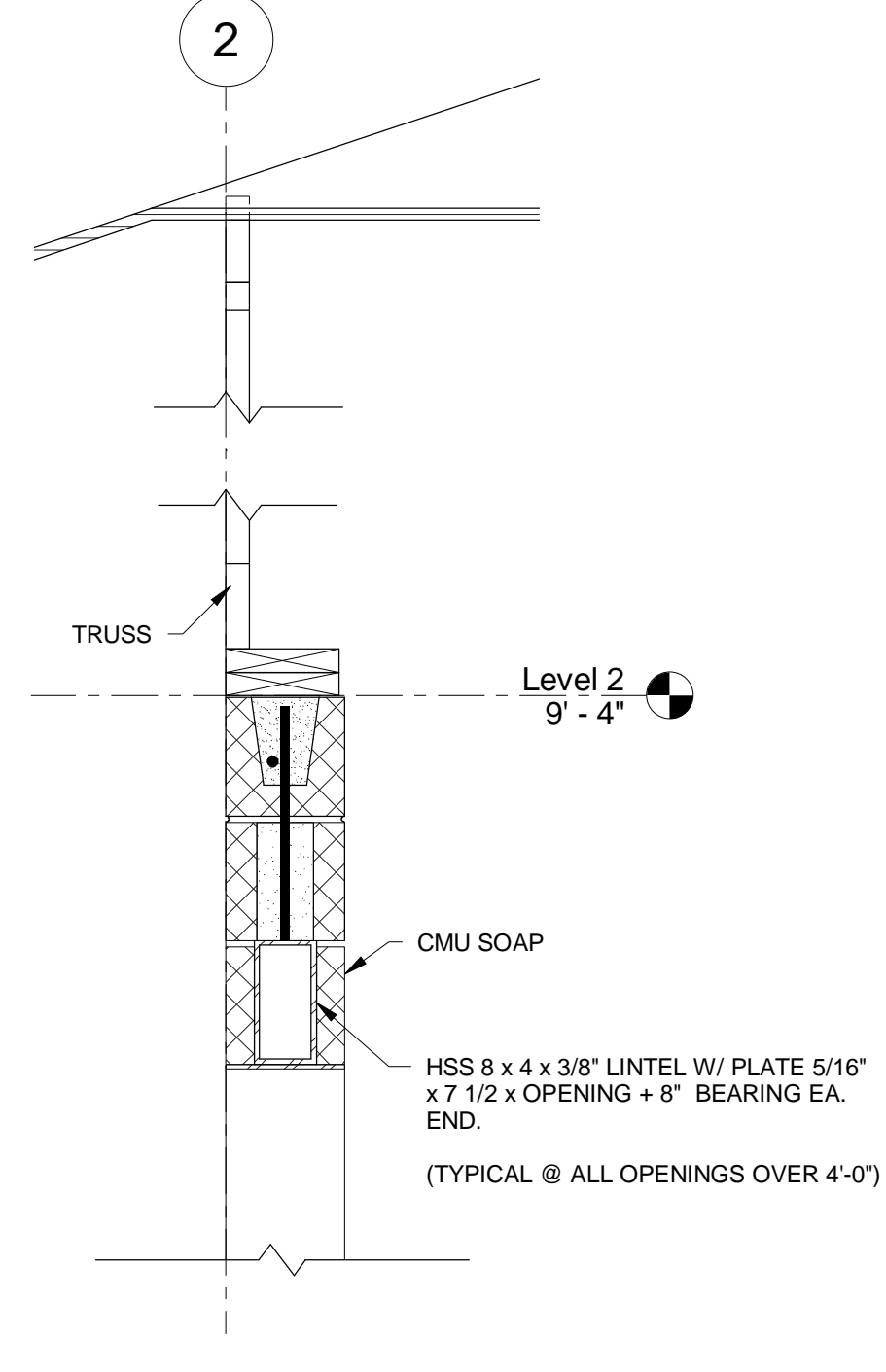


1 SECTION
S-3
1" = 1'-0"



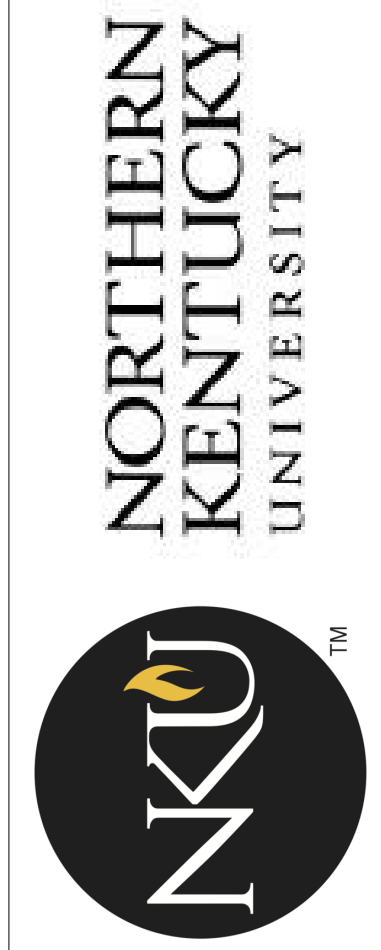
2 SECTION
S-3
1" = 1'-0"



3 SECTION
S-3
1" = 1'-0"

Northern Kentucky University - Intramural Field and Support Building

DETAILS	#	Revision Date
	11107	
	7-11-12	
Author	Checked By:	Checker



Omni
ARCHITECTS
212 North Upper Street
Lexington, Kentucky 40507-1001
P 859.252.6664 F 859.253.2358
www.omniarchitects.com

bfmj
Basil Fryer, M.S., P.E., J.D.
Consulting Structural Engineers
LEXINGTON, KY 40502
TEL: 859.253.8800
FAX: 859.253.8800
LIC.# 11107

