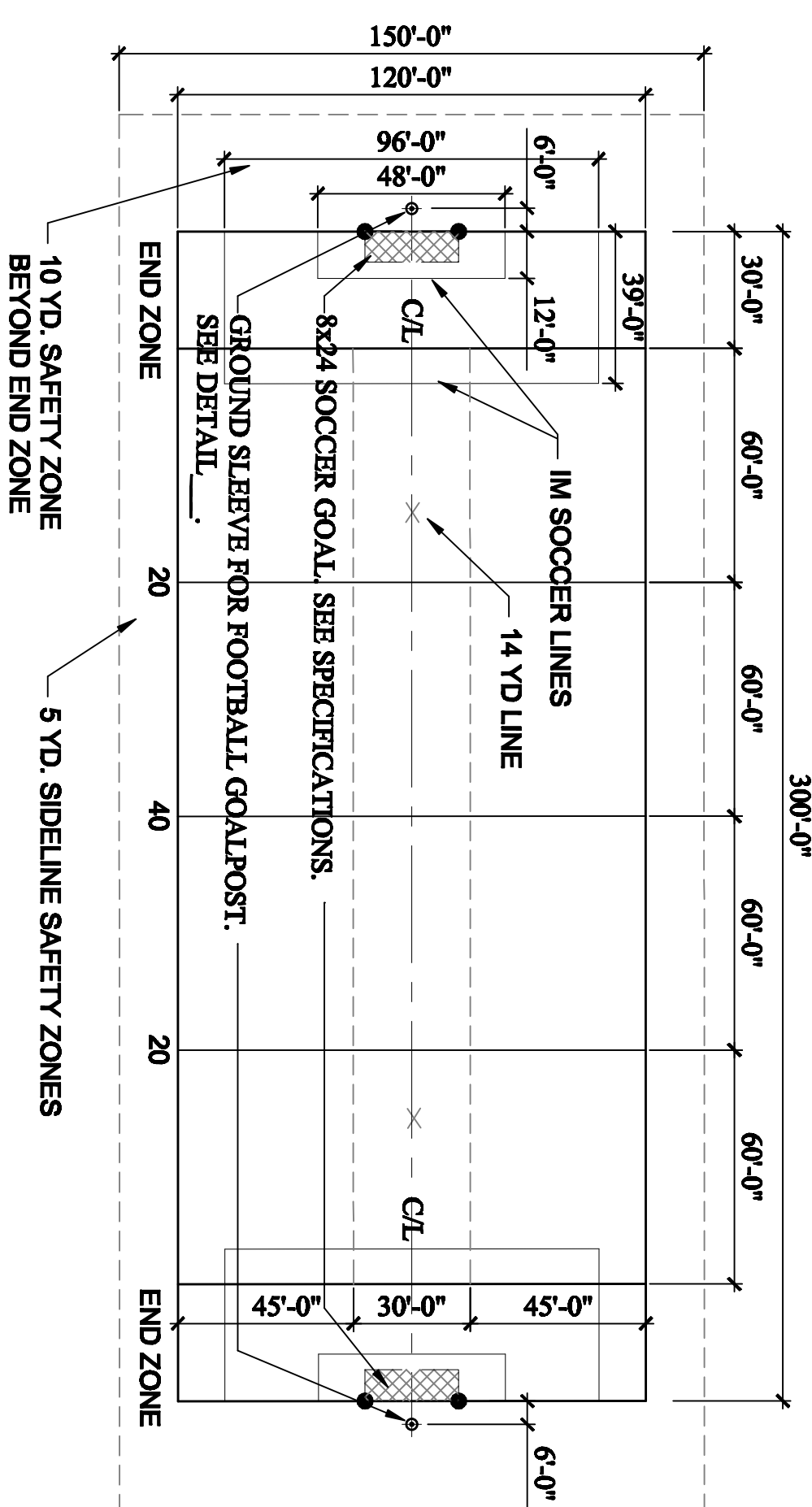
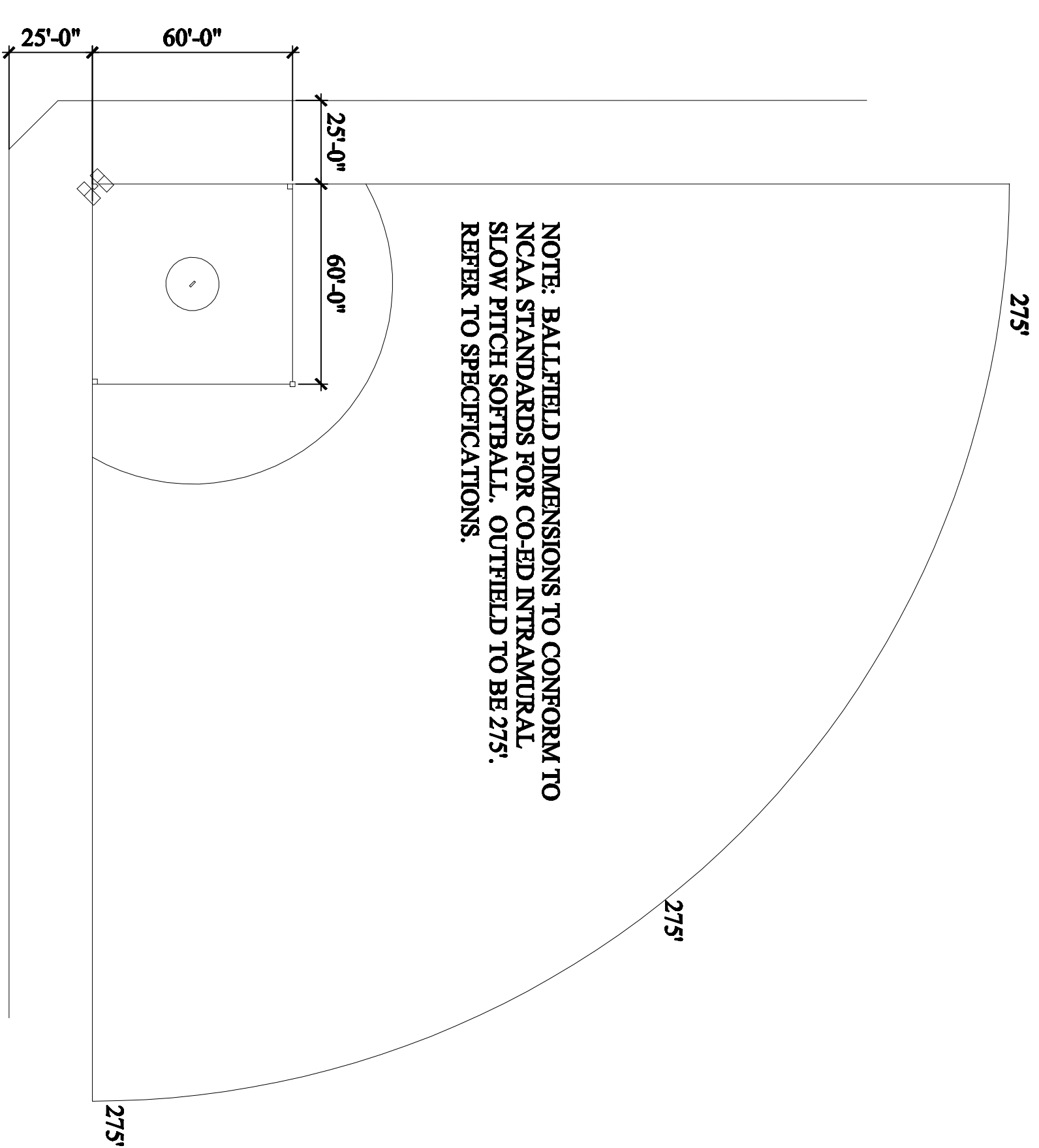


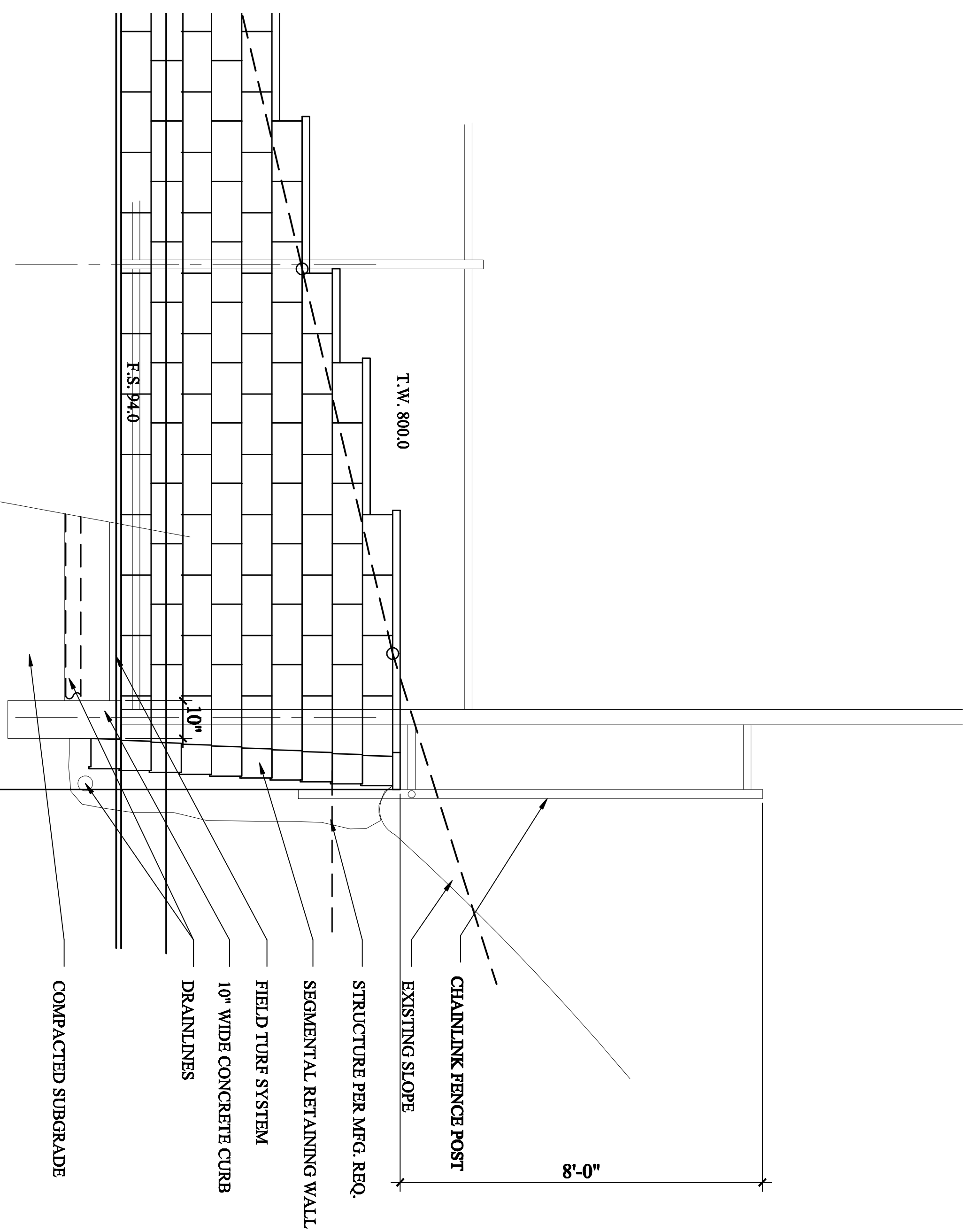
1 CLUB SOCCER & FLAG FOOTBALL
SCALE: NTS



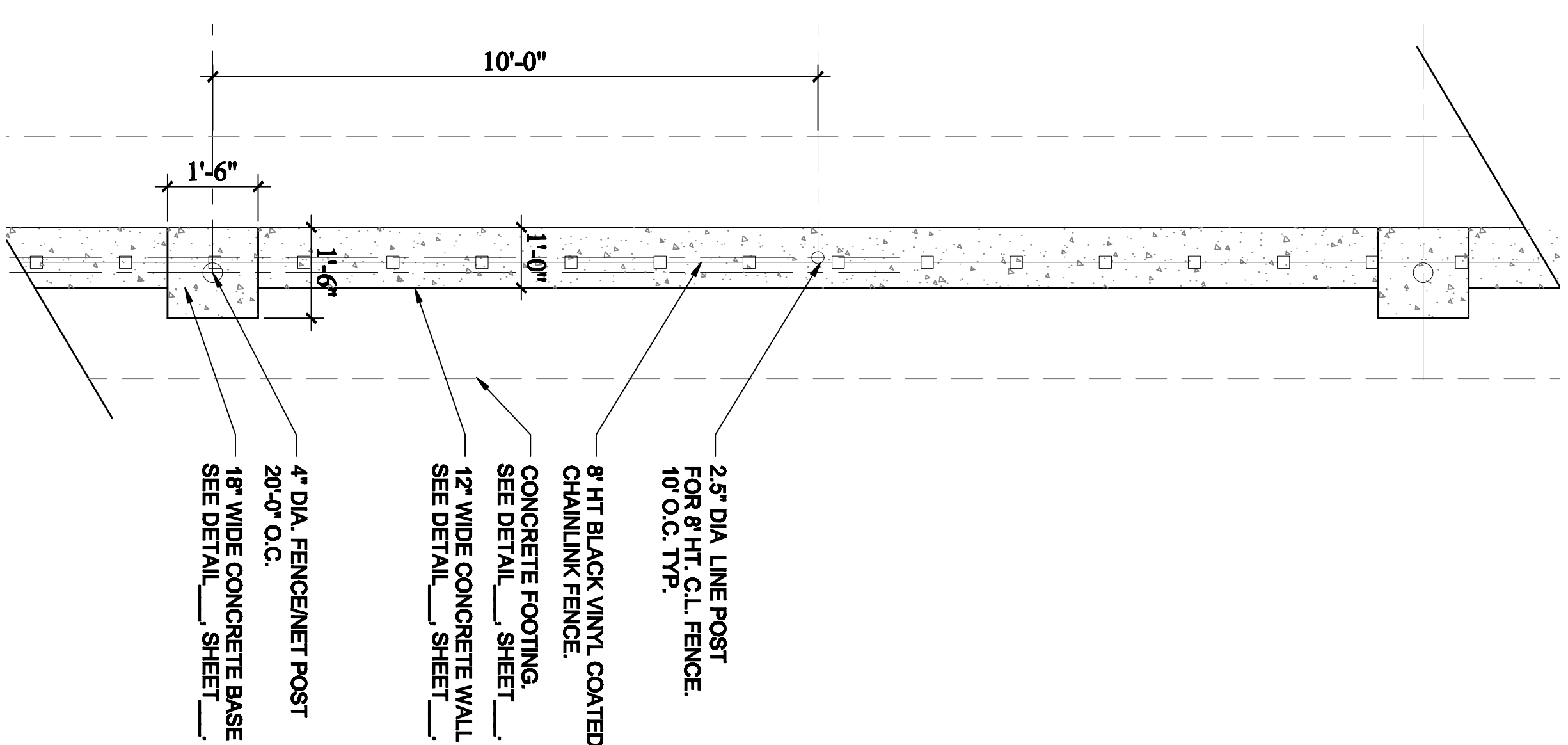
1 FLAG FOOTBALL AND IM SOCCER
SCALE: NTS



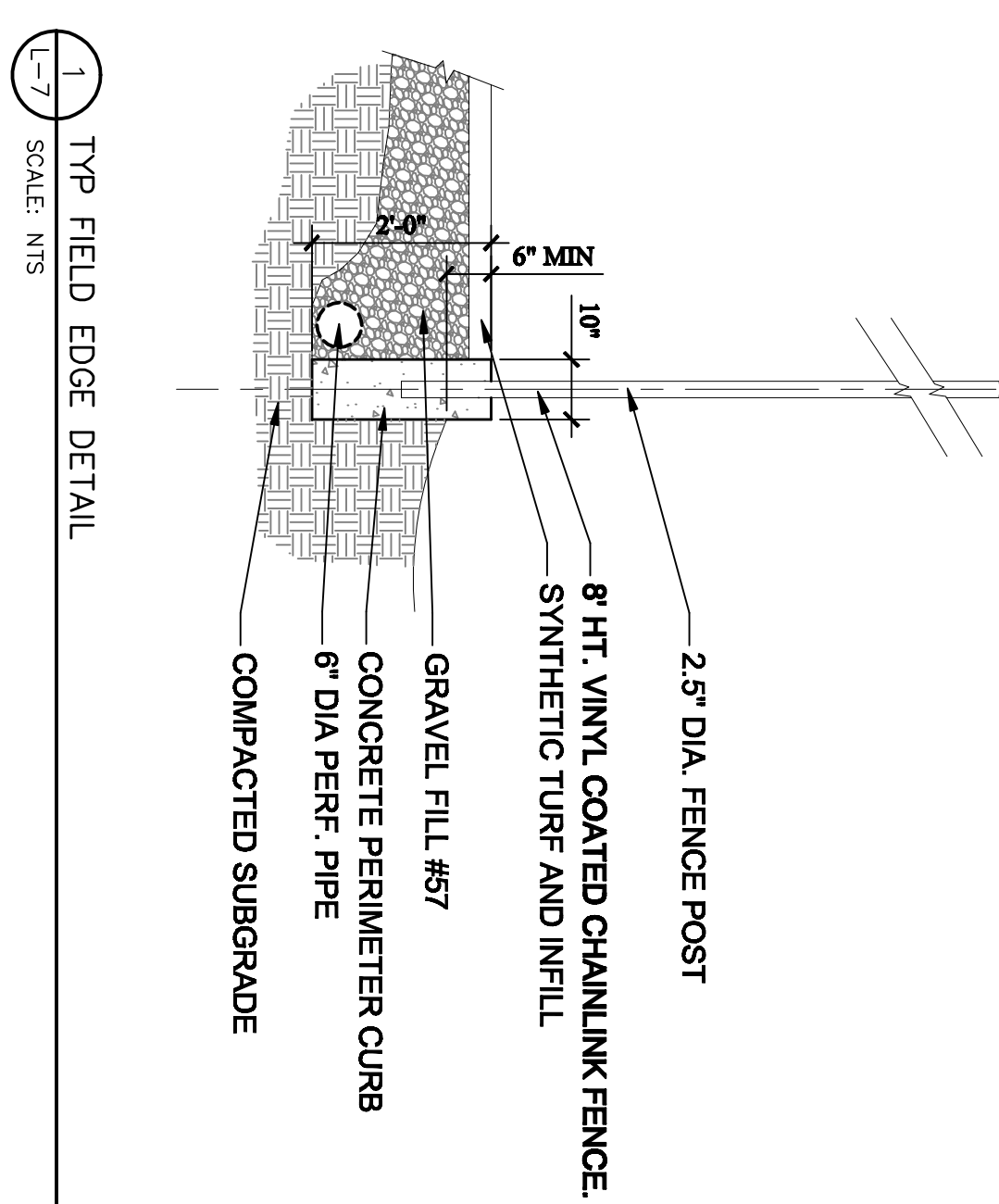
1 COED SLOW PITCH SOFTBALL
SCALE: NTS



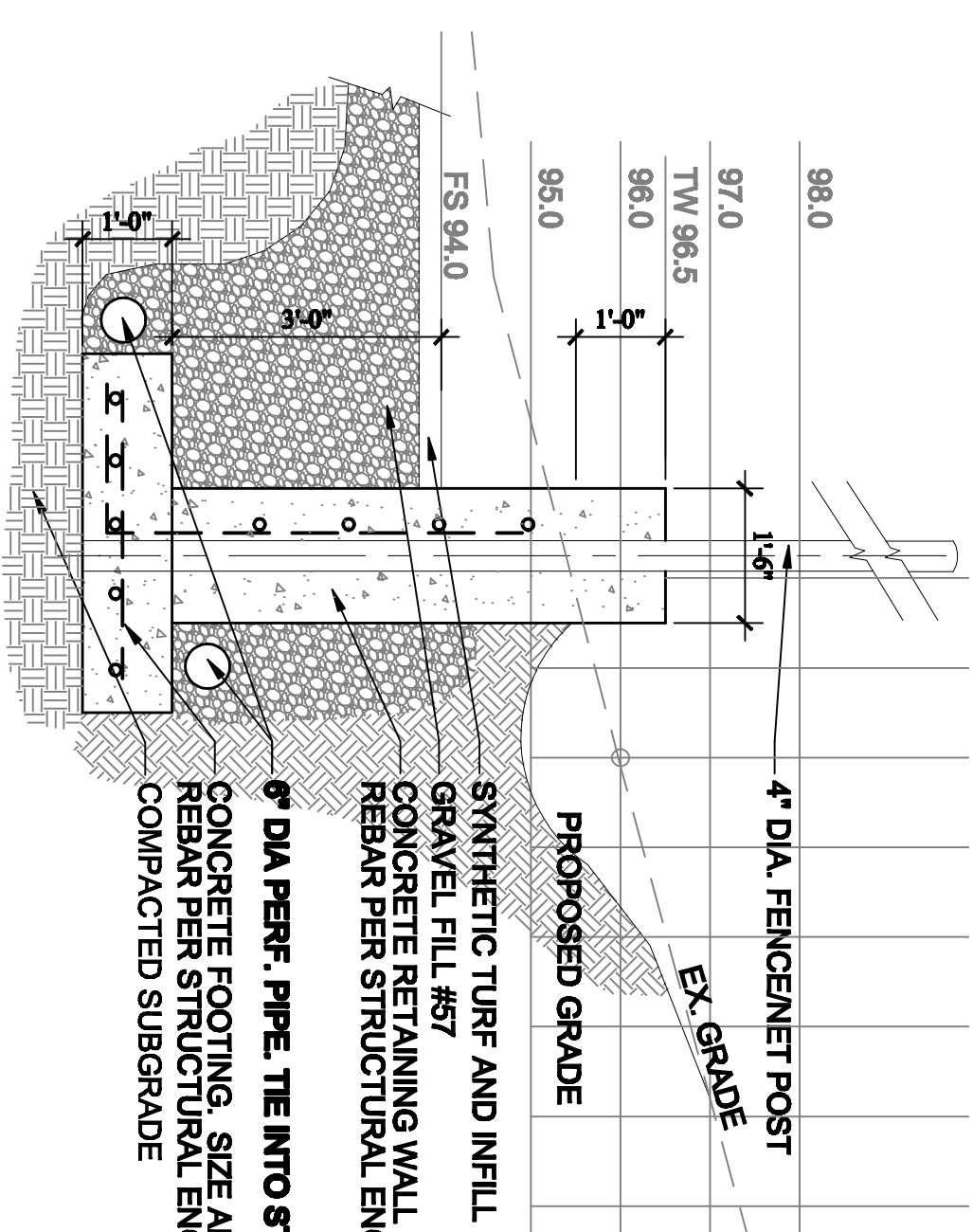
2 FIELDEDGE W/RETAINING WALL ELEVATION
SCALE: NTS



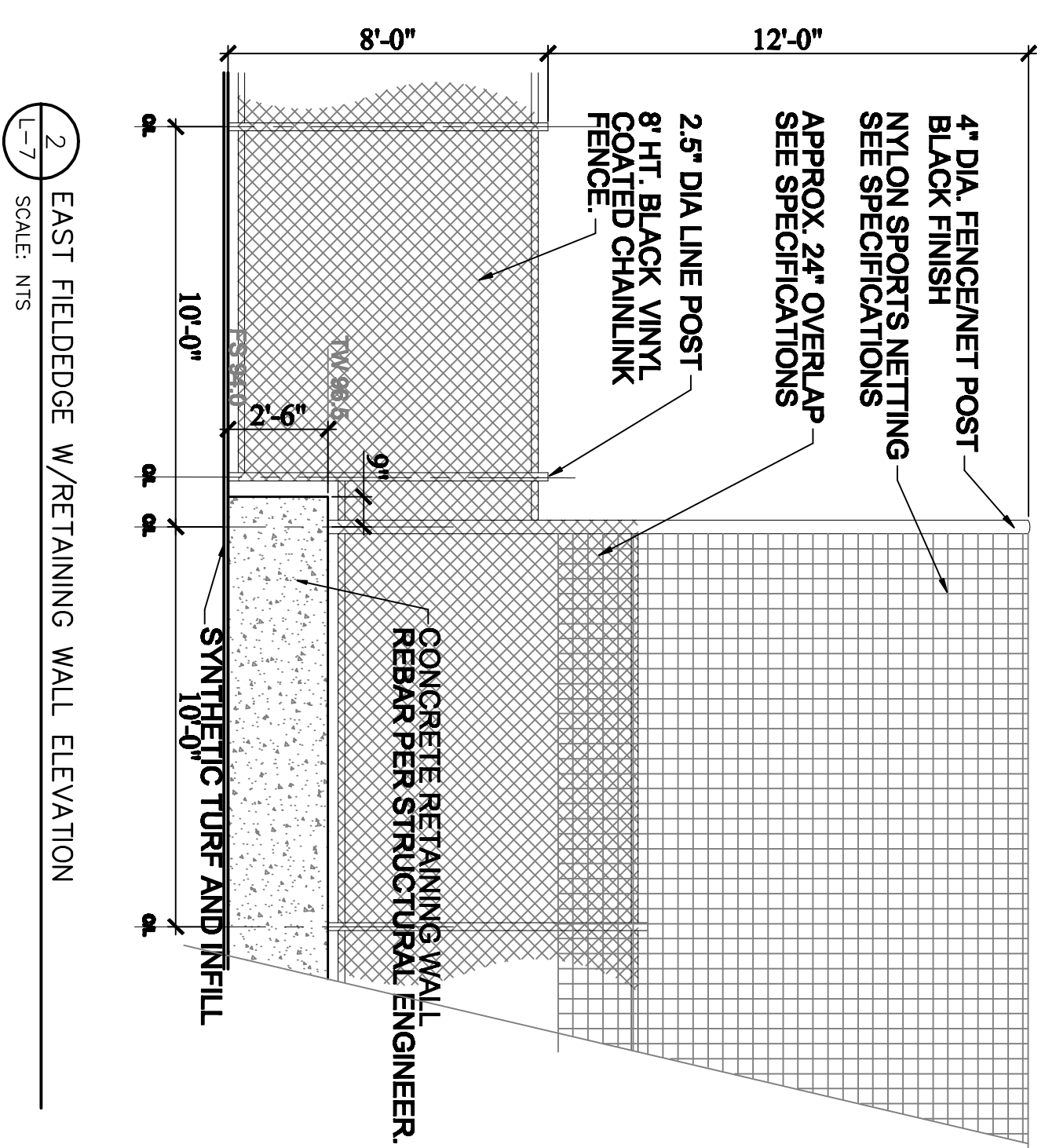
2 RETAINING WALL EDGE W/NETTING
SCALE: NTS



1 TYP FIELD EDGE DETAIL
SCALE: NTS



2 FIELDEDGE W/RETAINING WALL
SCALE: NTS



2 EAST FIELDEDGE W/RETAINING WALL ELEVATION
SCALE: NTS

1 SITE LAYOUT AND MATERIALS PLAN
SCALE: 1"=30'-0"

PRELIMINARY
NOT FOR CONSTRUCTION

Northern Kentucky University - Intramural Fields & Support Building

Drawing Name:	Sheet Name	#	Revision Date
Construction Details			
NKU Project Number:	Project Number		
Date: 7/11/2012	MM/DD/YEAR		
Drawn By: FCB	DRW	Checked By:	CHK



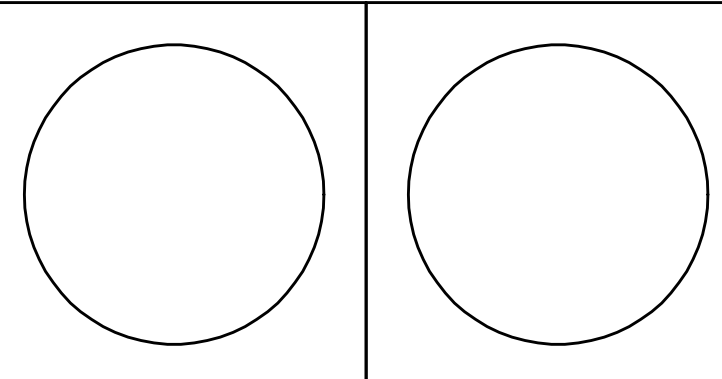
NORTHERN KENTUCKY UNIVERSITY



212 North Upper Street
Lexington, Kentucky 40507-1001
p 859.252.6864 f 859.253.2358
www.omniarchitects.com



VIVIAN LLAMBI & ASSOCIATES, INC.
LANDSCAPE ARCHITECTS+CMIL ENGINEERS+PLANNERS
2312 Park Avenue, Cincinnati, Ohio 45206
(513) 559-9444 (Phone), (513) 559-0164 (Fax)



L-4.0