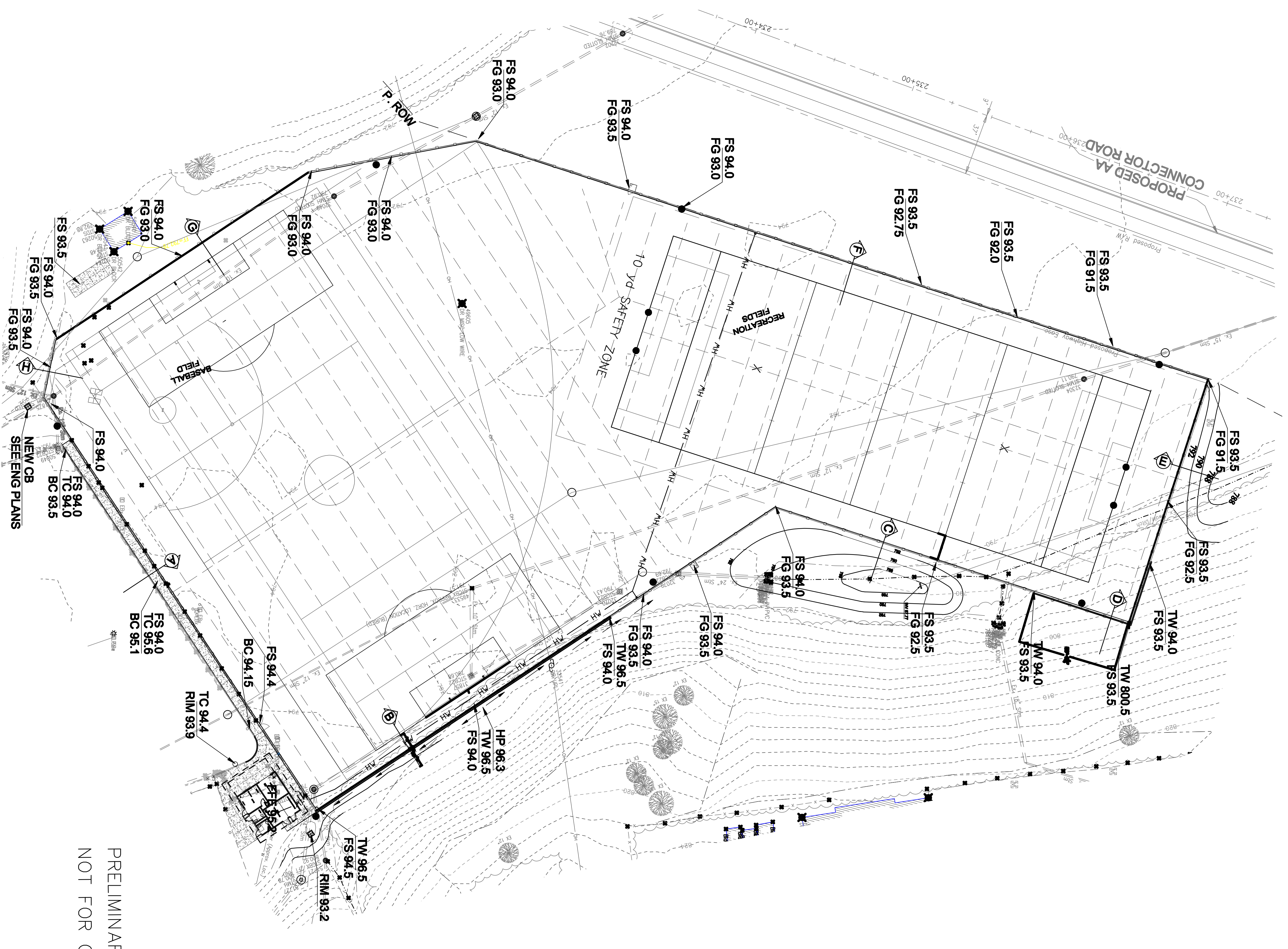
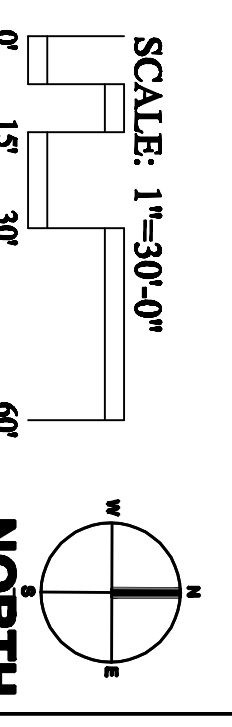
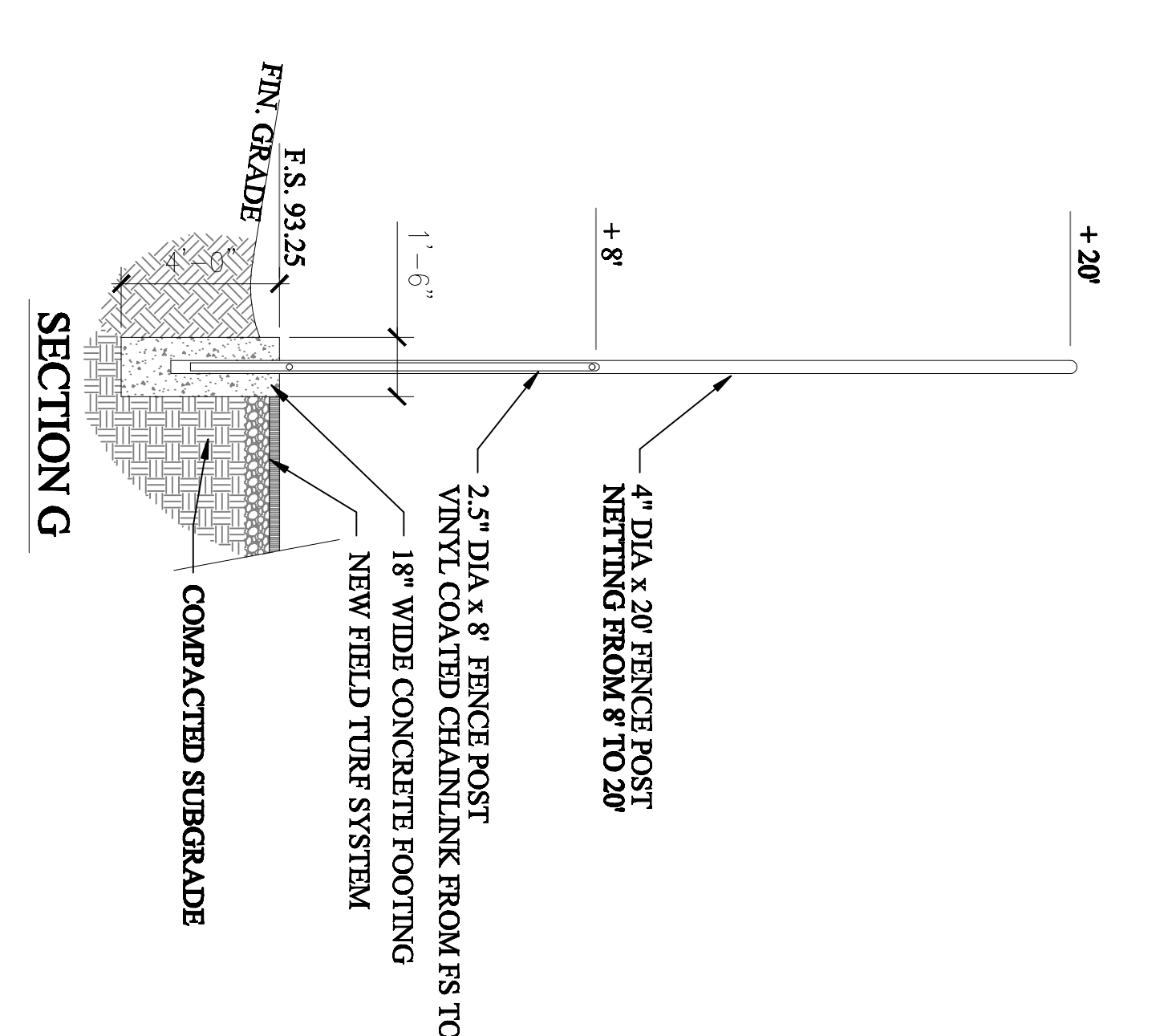
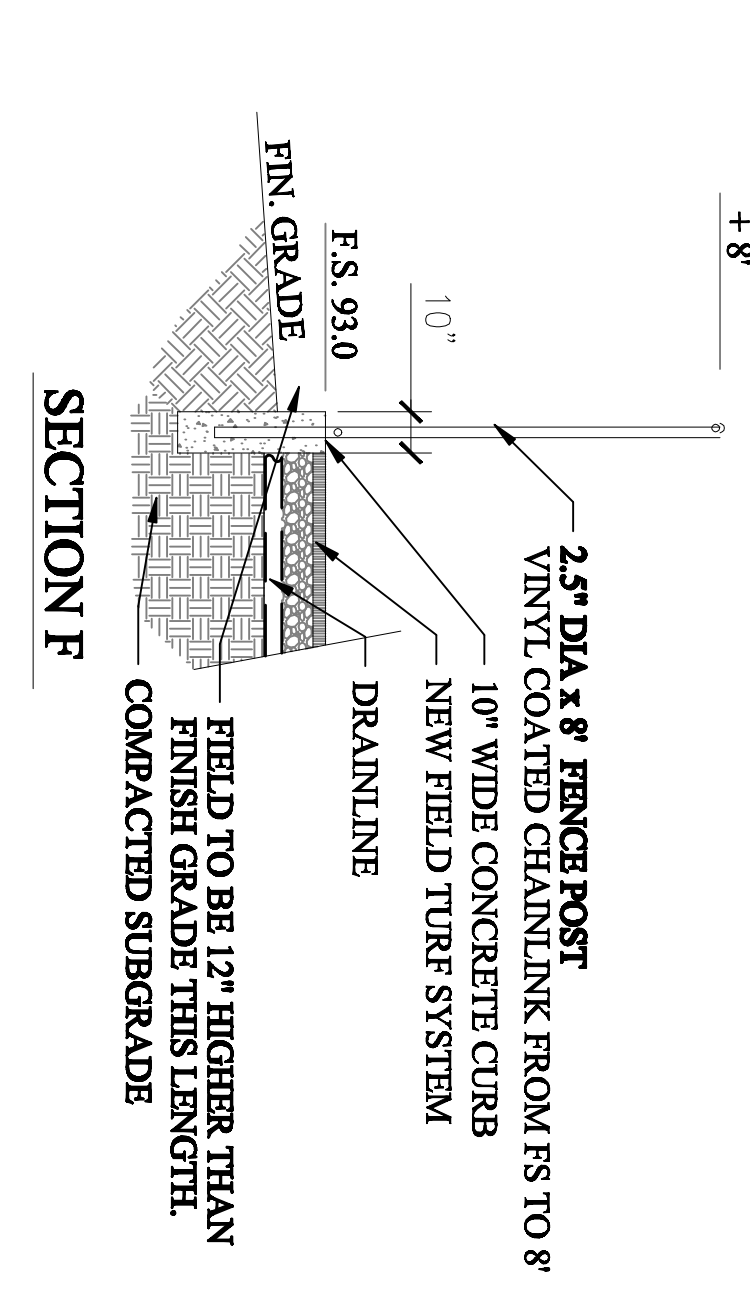
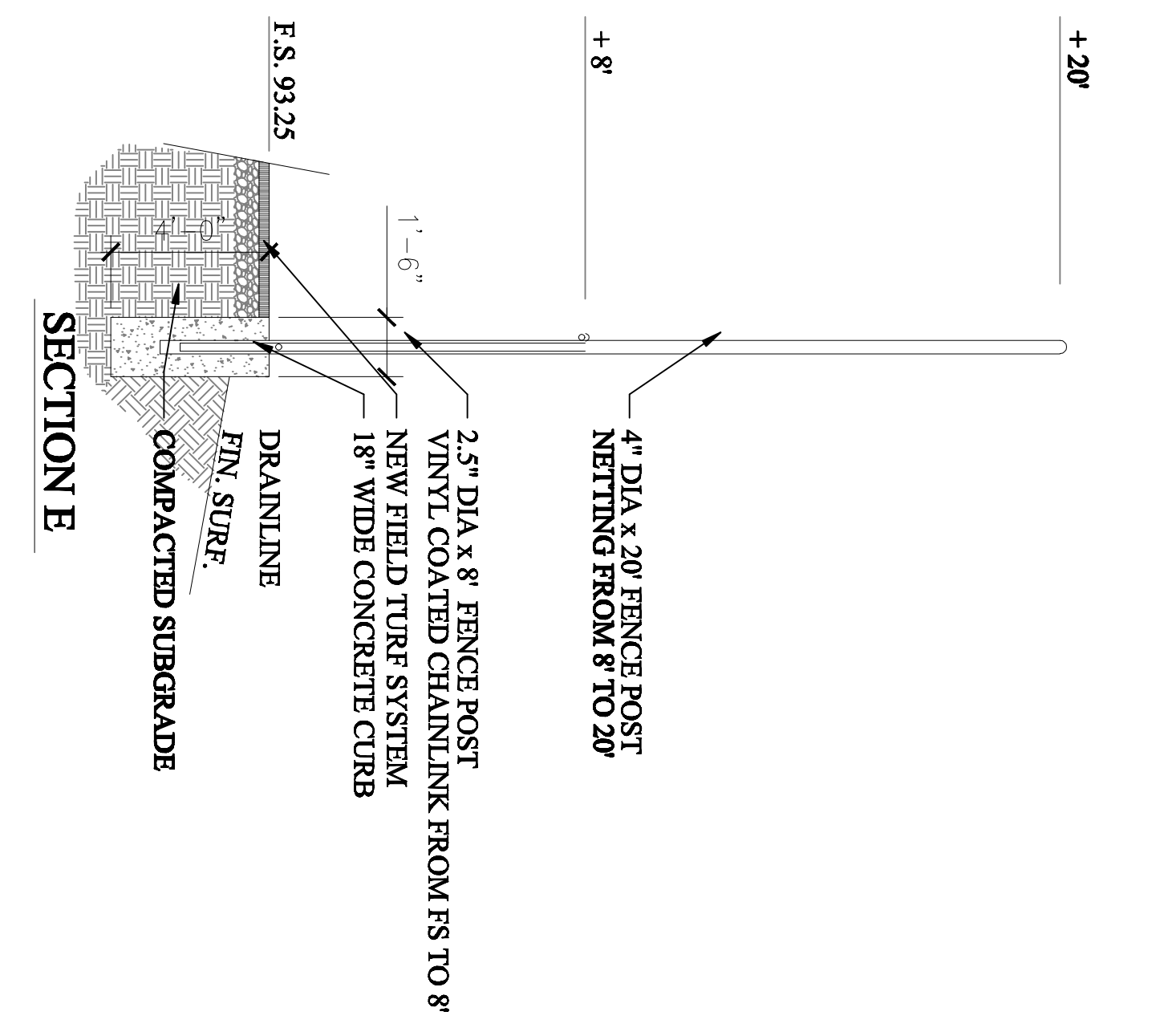


- GENERAL NOTES:**
1. ALL PROPOSED UTILITY ELEVATIONS ARE TO BE ADJUSTED ON SITE TO MATCH THE PROPOSED GRADE.
 2. CONTRACTOR SHALL VERIFY EXISTING ELEVATIONS AND REPORT ANY DISCREPANCIES TO THE LANDSCAPE ARCHITECT PRIOR TO CONSTRUCTION.
 3. ALL GRADING IS BASED ON SURVEY PROVIDED BY BAYER BECKER ENGINEERING. VERIFY ALL INFORMATION PRIOR TO PROCEEDING.
 4. REFER TO CIVIL ENGINEERING PLANS FOR ADDITIONAL INFORMATION.

- ABBREVIATIONS:**
- FG FINISH GRADE
 - FW FINISH GRADE
 - TW TOP OF WALL
 - TC TOP OF CURB
 - BC BOTTOM OF CURB
 - HP HIGH POINT
 - RIM RIM ELEVATION
 - CB CATCH BASIN
 - DIR DIRECTION OF FLOW
 - EXC EXISTING CONTOUR
 - PRO PROPOSED CONTOUR

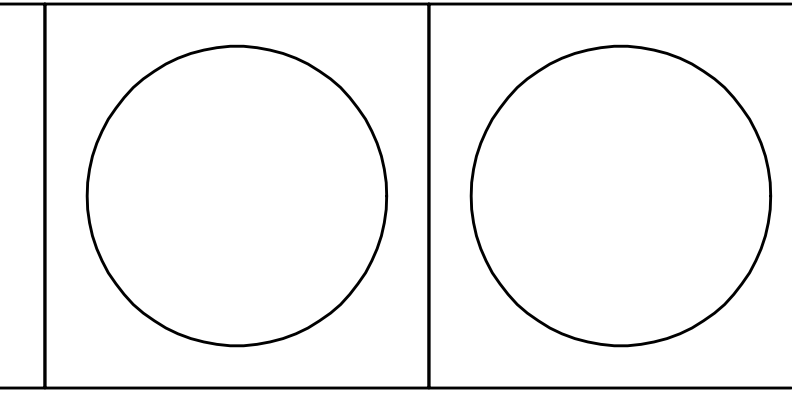


PRELIMINARY
NOT FOR CONSTRUCTION



Northern Kentucky University -Intramural Fields & Support Building

Drawing Name: Grading Plan	Sheet Name	#	Revision Date
NKU Project Number:			
Project Number: 1203	Project Number		
Date: 7/11/2012	MM/DD/YEAR		
Drawn By: FCB	DRW	Checked By:	CHK



L-2.0