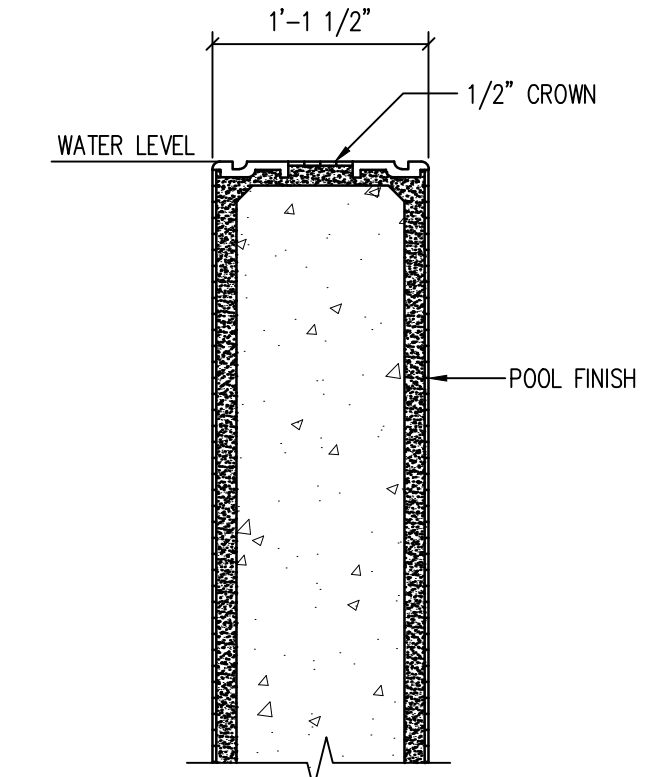
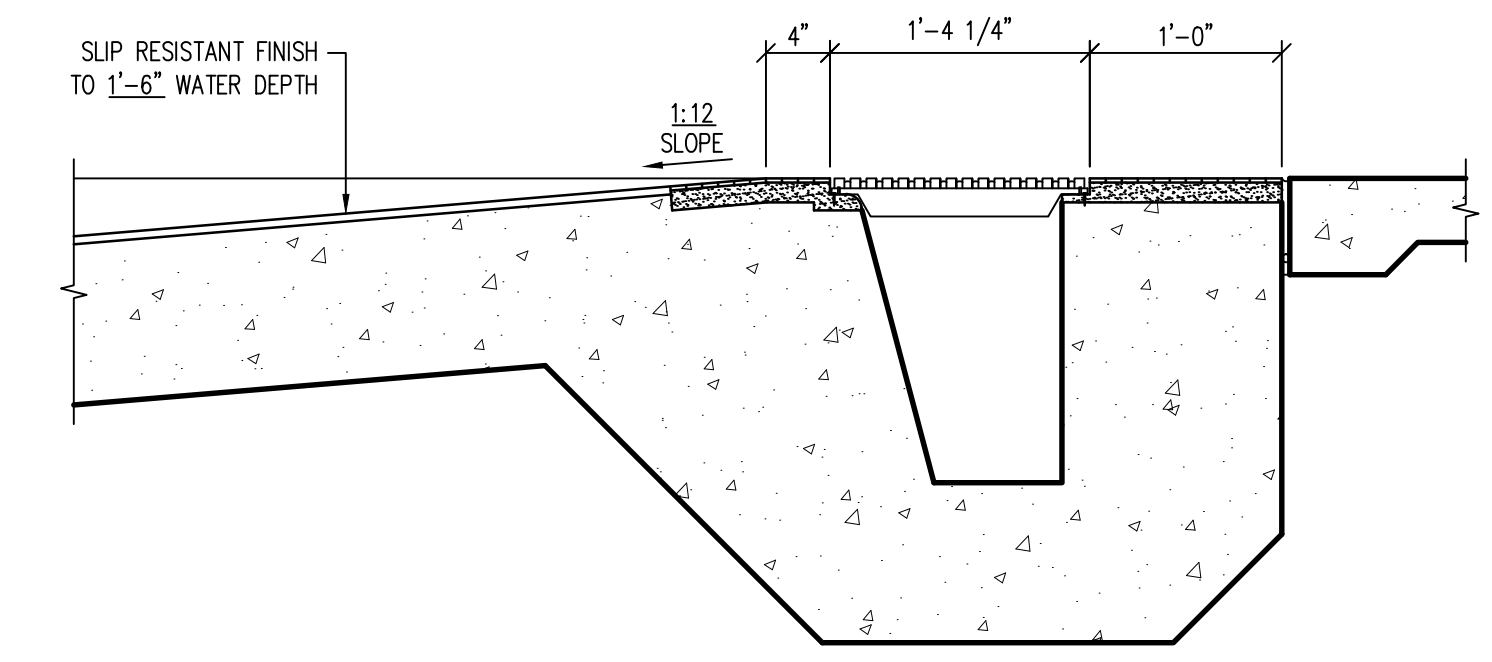


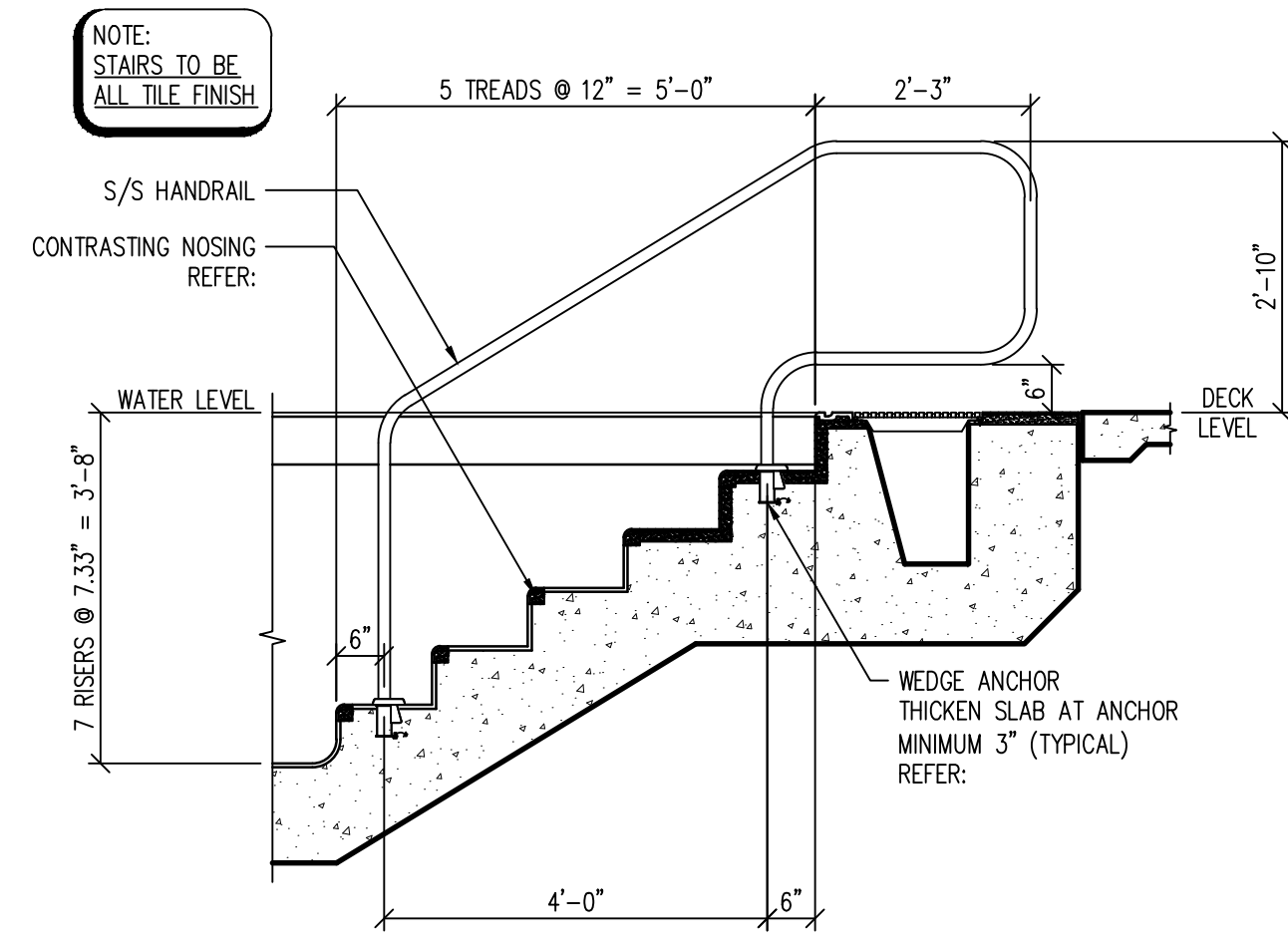
8 UNDERWATER LIGHT
SP-1.3 3/4" = 1'-0" 07/09/12



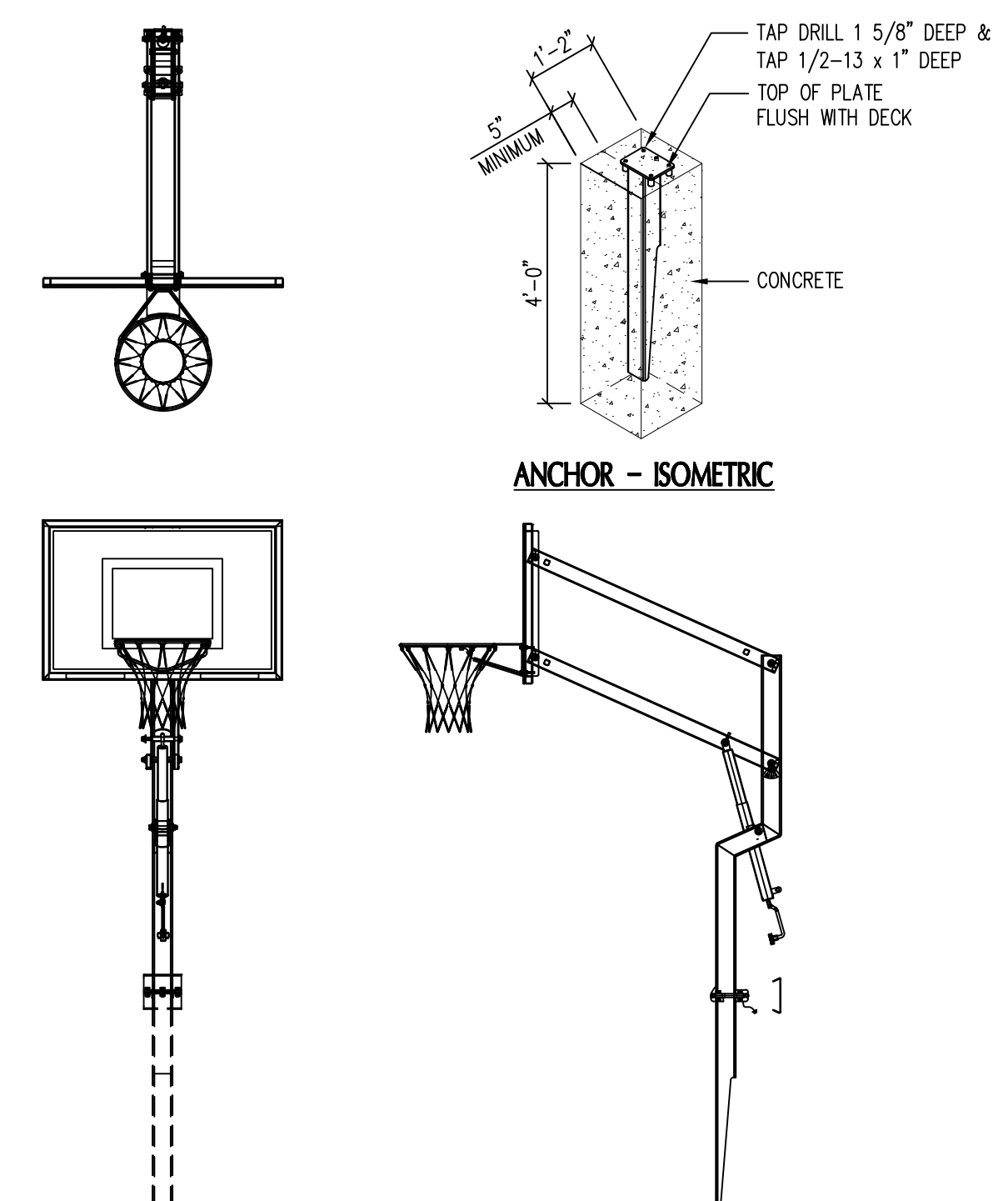
5 WING WALL SECTION
SP-1.3 1" = 1'-0" 07/09/12



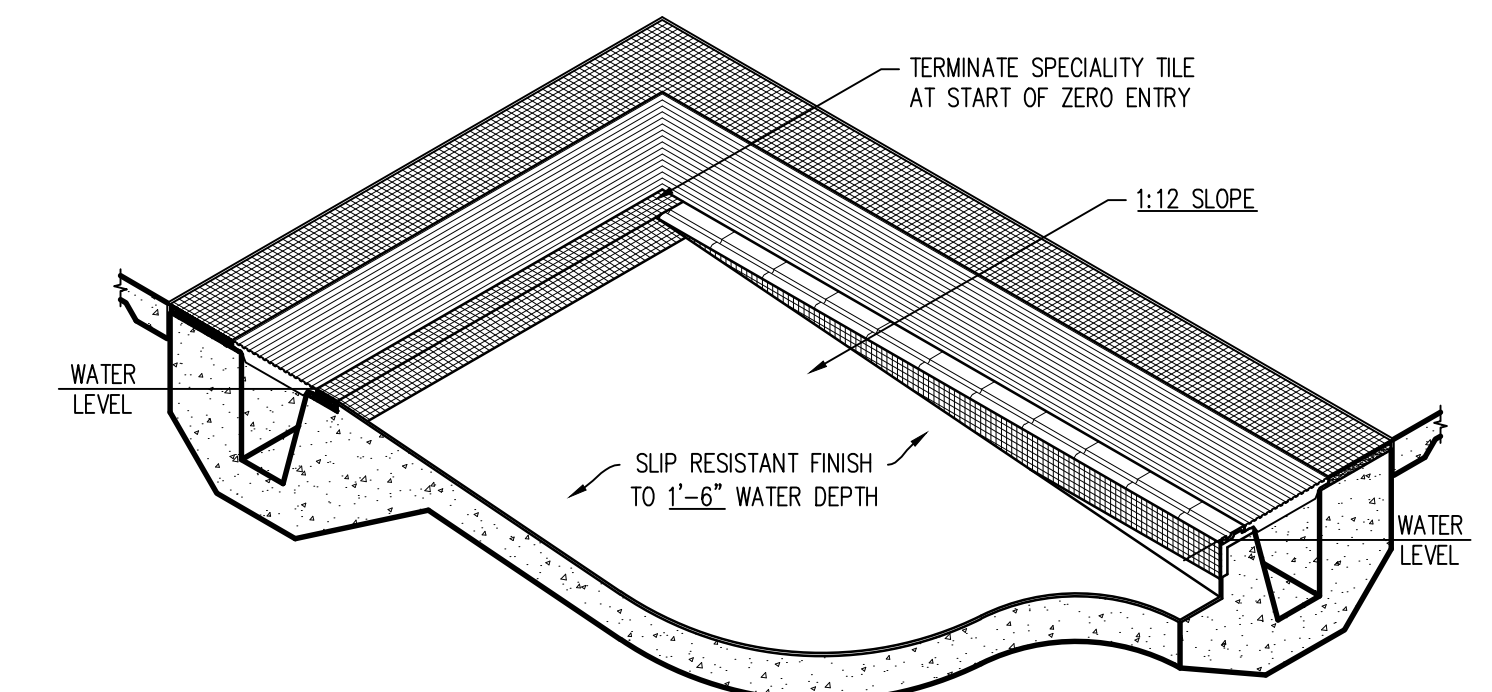
1 ZERO ENTRY SECTION
SP-1.3 1" = 1'-0" 07/09/12



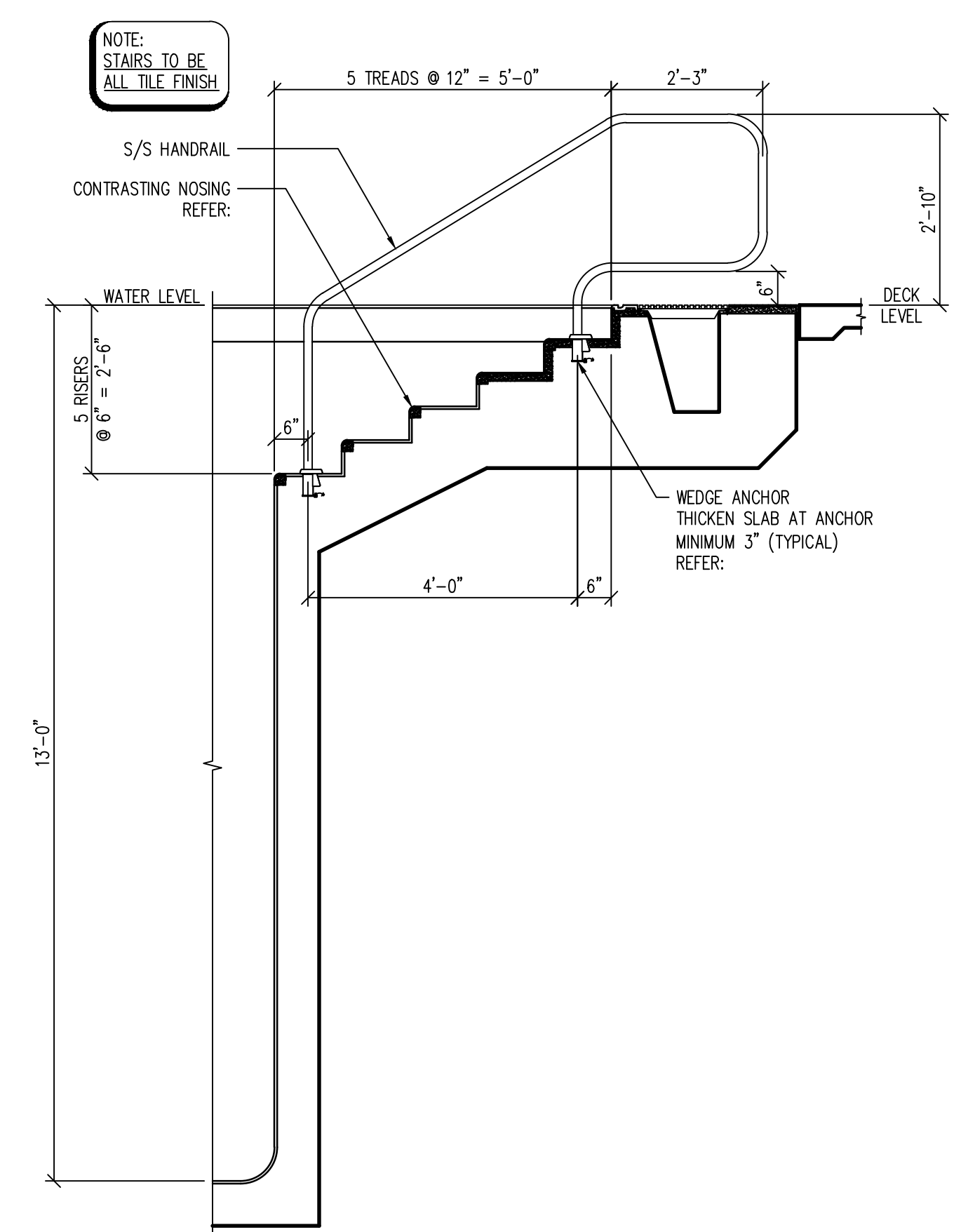
9 TYPICAL STAIR SECTION
SP-1.3 1/2" = 1'-0" 07/09/12



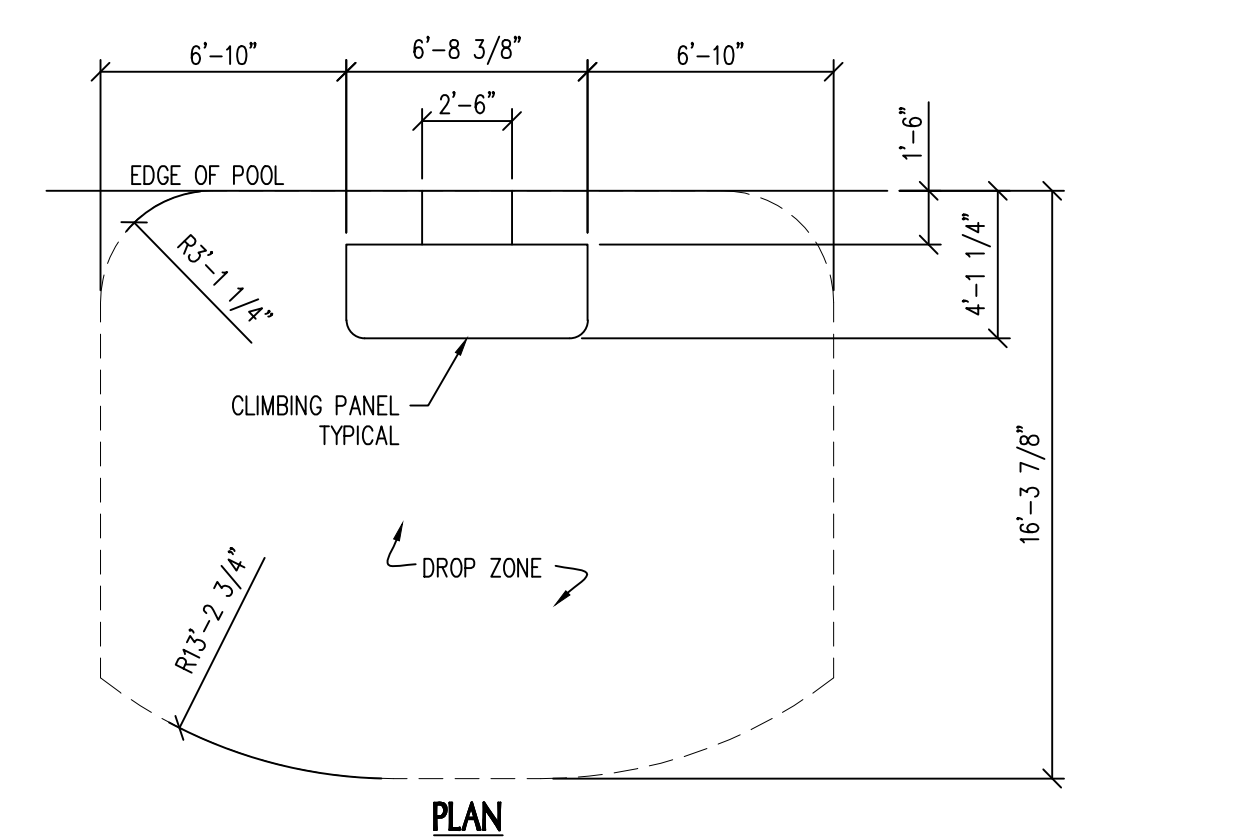
6 WATER BASKETBALL
SP-1.3 3/8" = 1'-0" 07/09/12



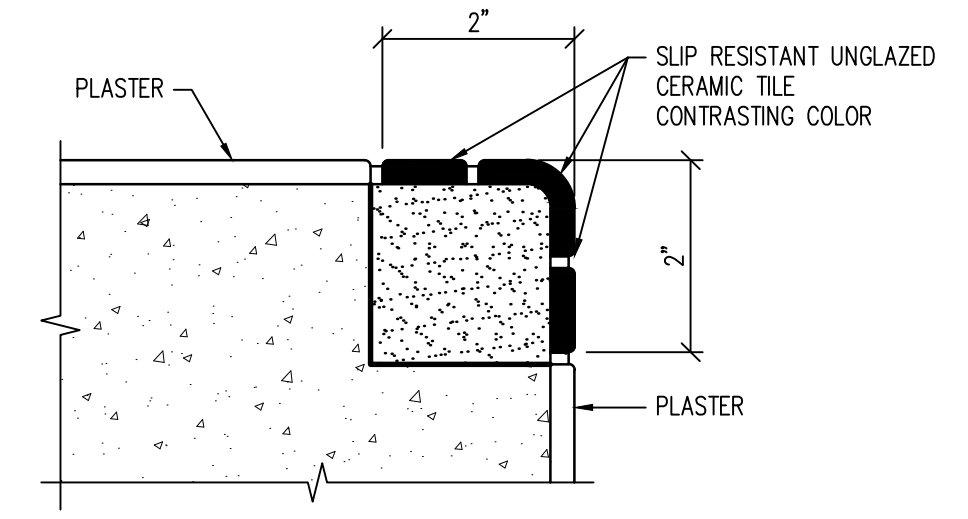
2 ZERO ENTRY ISOMETRIC
SP-1.3 3/8" = 1'-0" 07/09/12



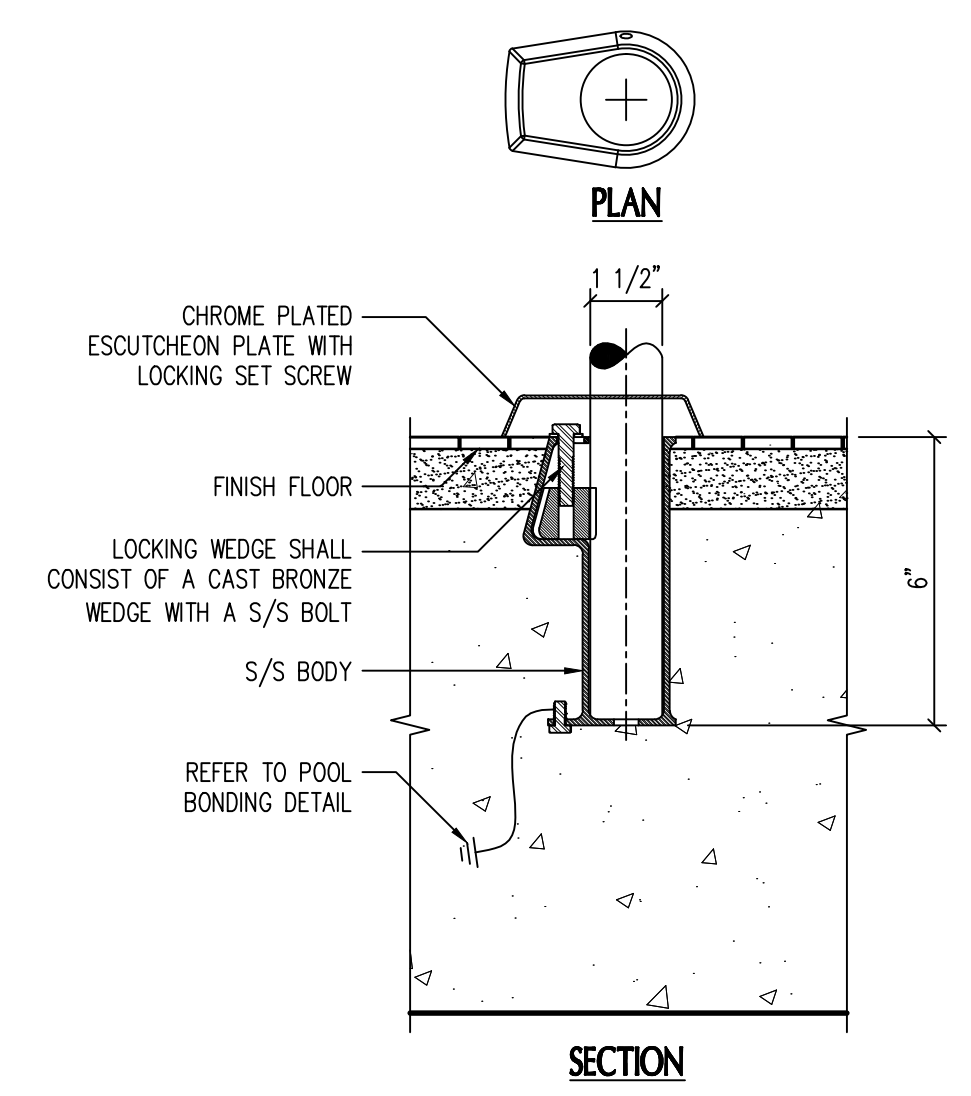
10 STAIR SECTION @ DIVING WELL
SP-1.3 1/2" = 1'-0" 07/09/12



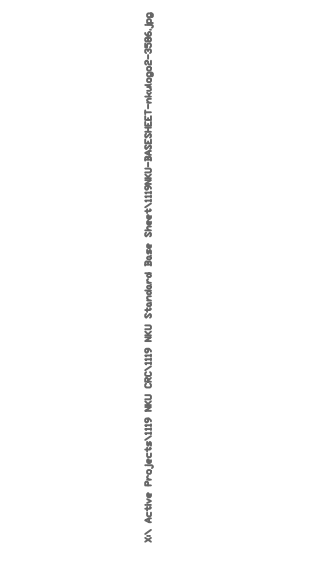
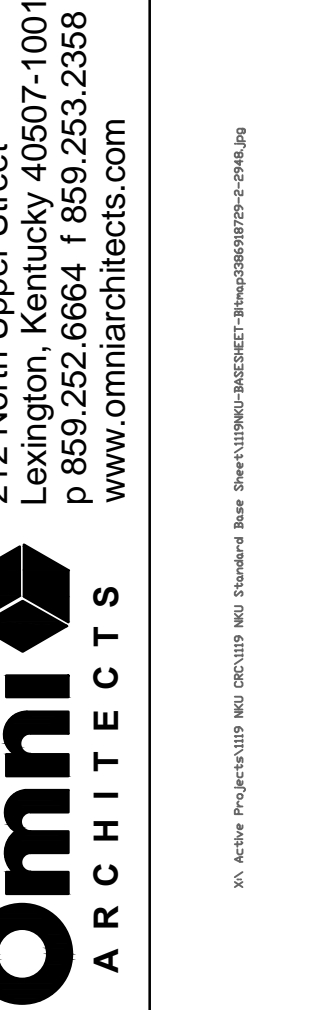
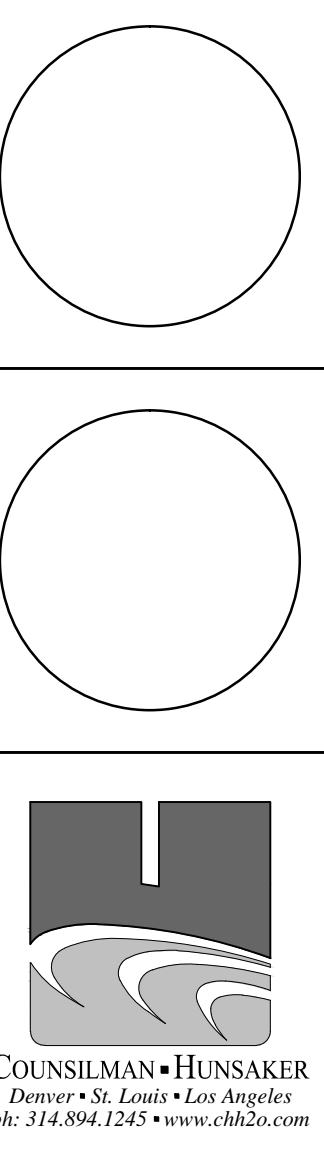
7 CLIMBING WALL
SP-1.3 3/16" = 1'-0" 07/09/12



3 CONTRASTING NOSING
SP-1.3 6" = 1'-0" 07/09/12



4 WEDGE ANCHOR
SP-1.3 3" = 1'-0" 07/09/12



Drawing Name:	Leisure Pool Details	#	Revision Date
NKU Project Number:			
Project Number:			
Date:			
Drawn By:	BMH	Checked By:	SWC