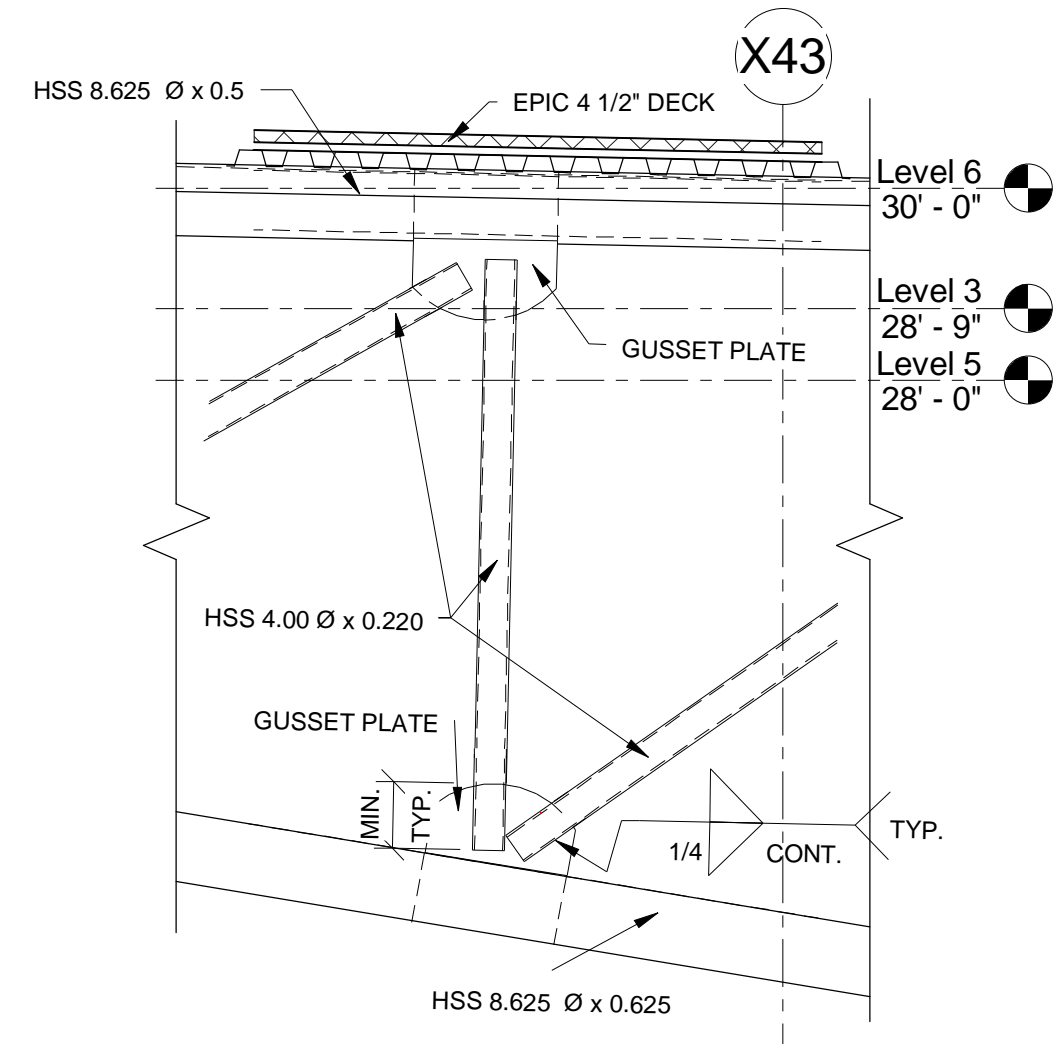
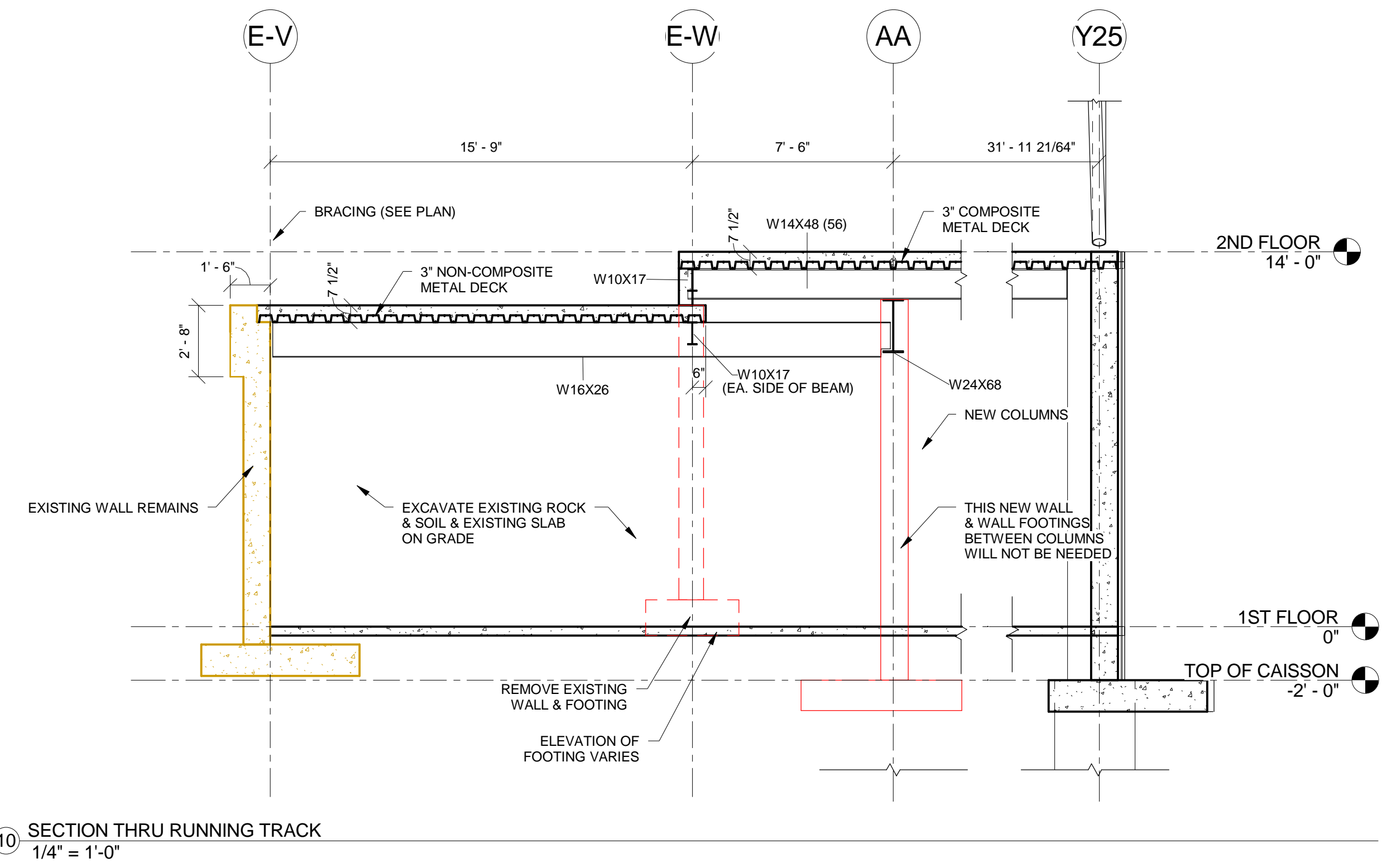


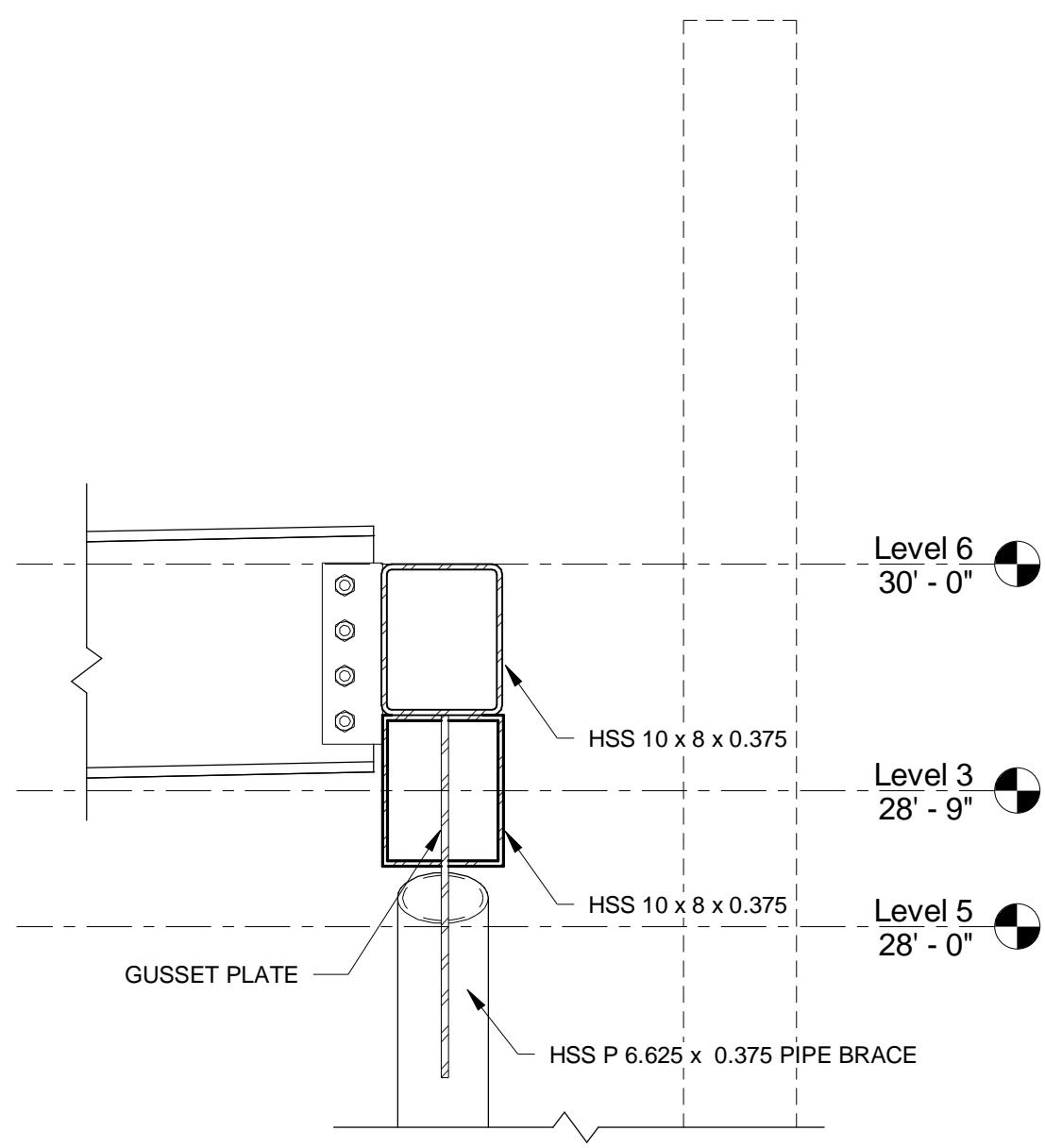
1 TYPE EDGE @ 2ND
1/2" = 1'-0"



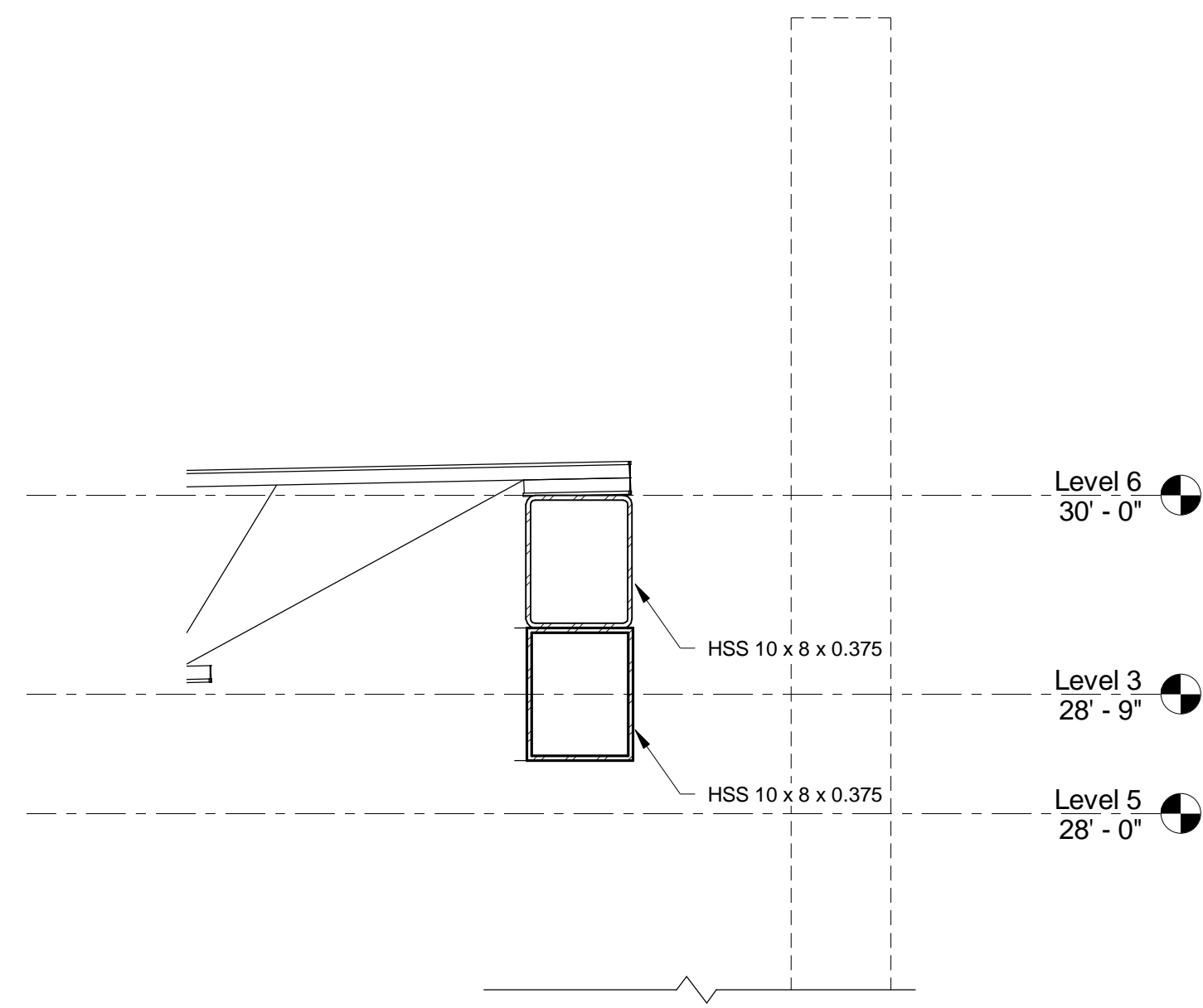
2 CALL OUT OF SPECIAL TRUSS GUSSET
1/2" = 1'-0"



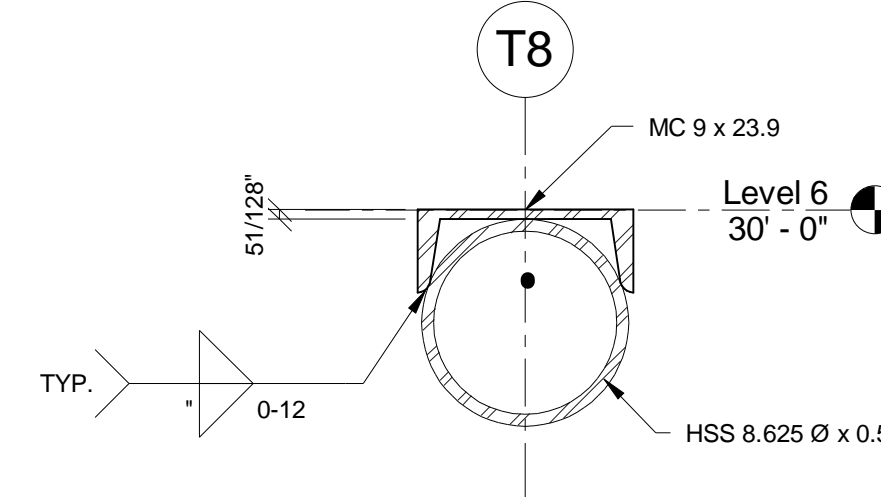
10 SECTION THRU RUNNING TRACK
1/4" = 1'-0"



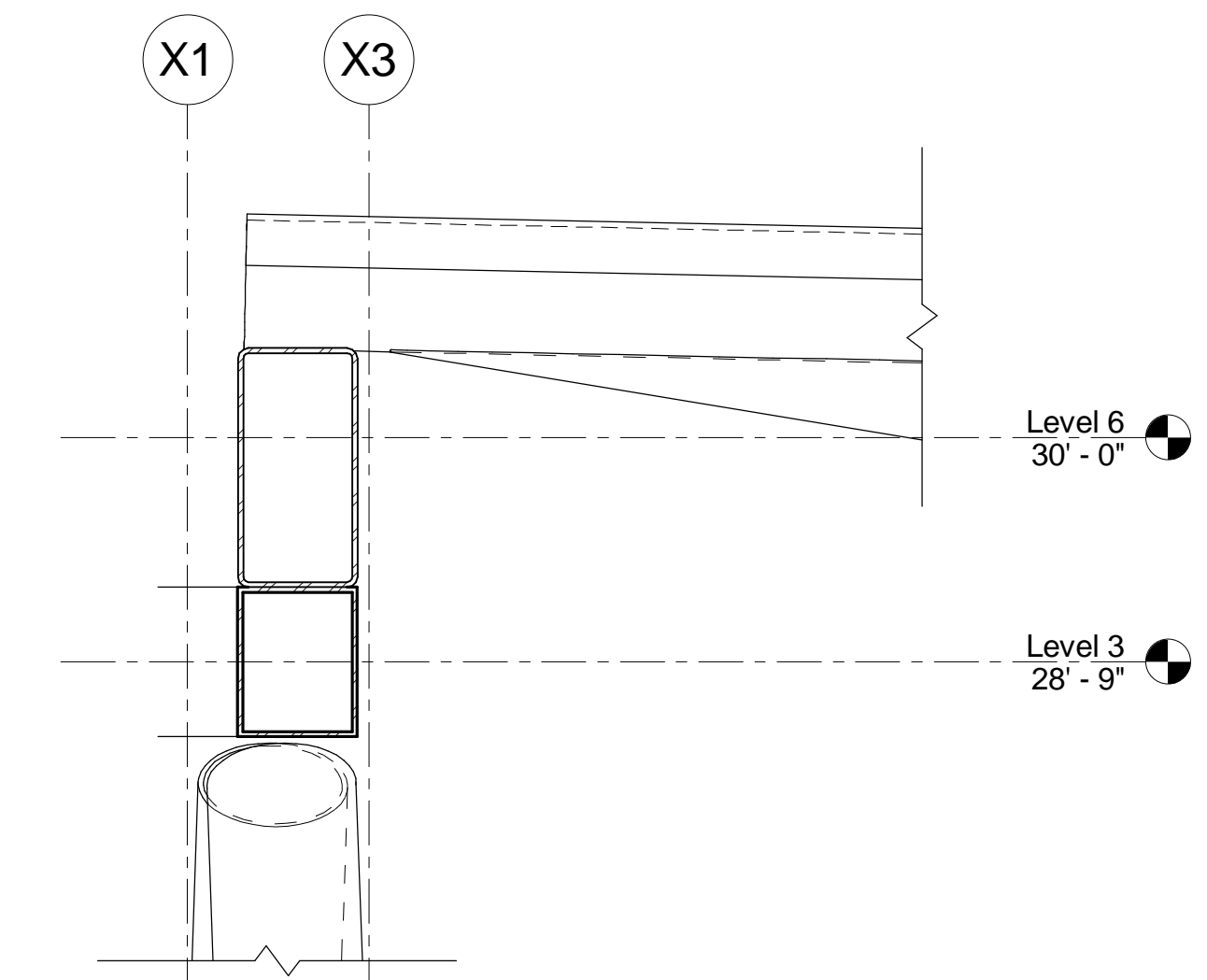
5 SECTION
S.3.1 1" = 1'-0"



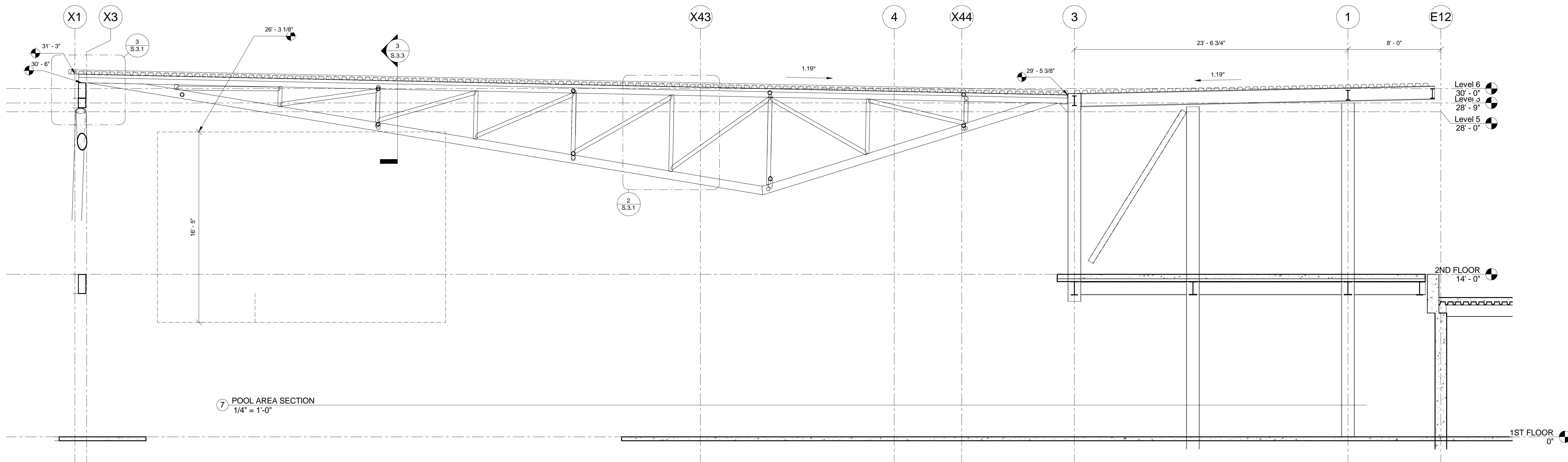
6 SECTION
S.3.1 1" = 1'-0"



12 TOP TRUSS SPECIAL
1 1/2" = 1'-0"



3 Callout of POOL AREA SECTION
1" = 1'-0"



7 POOL AREA SECTION
1/4" = 1'-0"

Northern Kentucky University - Student Recreation Center

NOT FOR CONSTRUCTION



212 North Upper Street
Lexington, Kentucky 40507-1001
p 859.252.6664 f 859.253.2358
www.omniarchitects.com



Drawing Name:	SECTIONS & DETAILS	#	Revision Date
NKU Project Number:			
Project Number:			
Date:			
Drawn By:	Author	Checked By:	Checker

S.3.1

