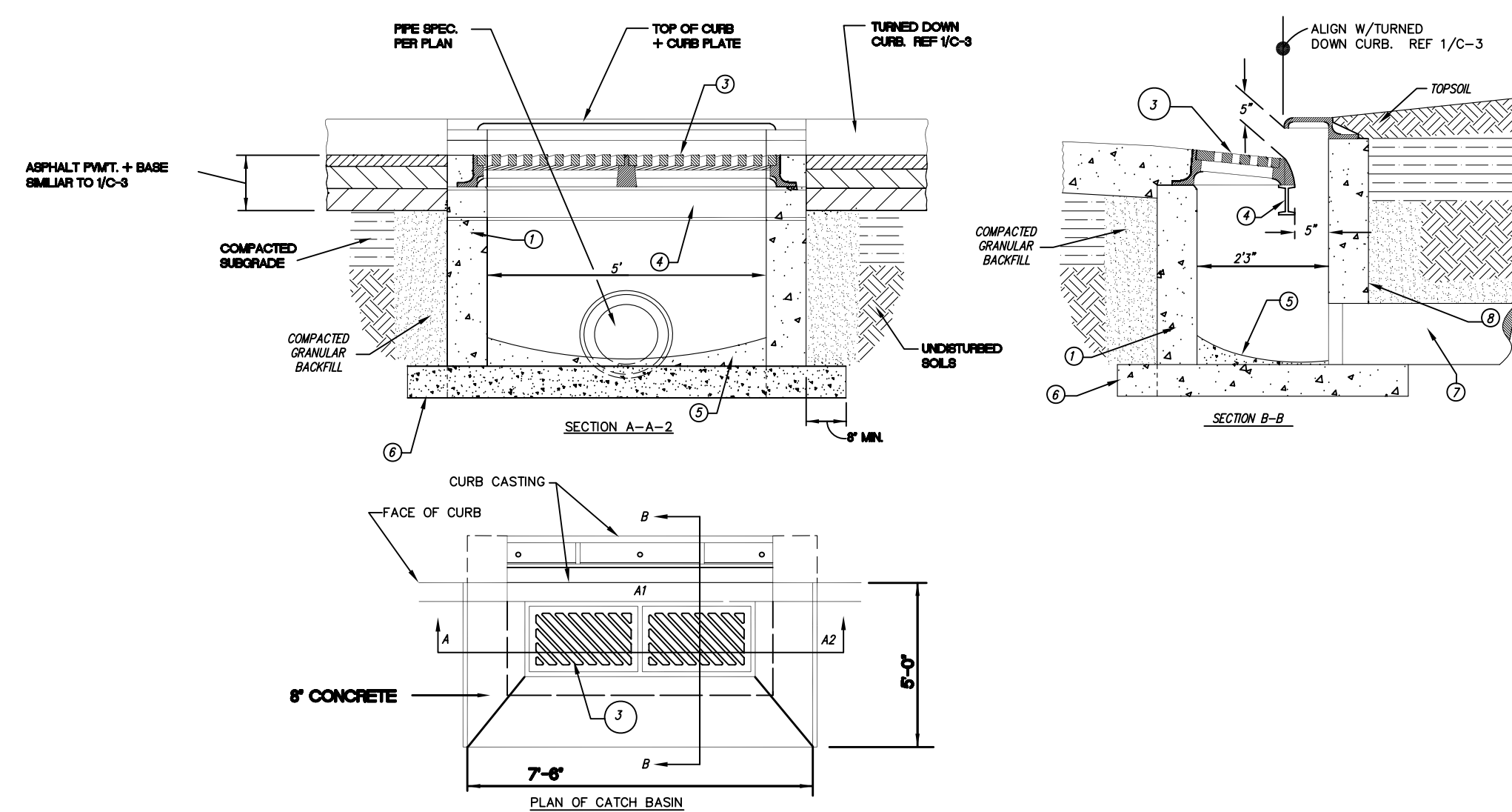
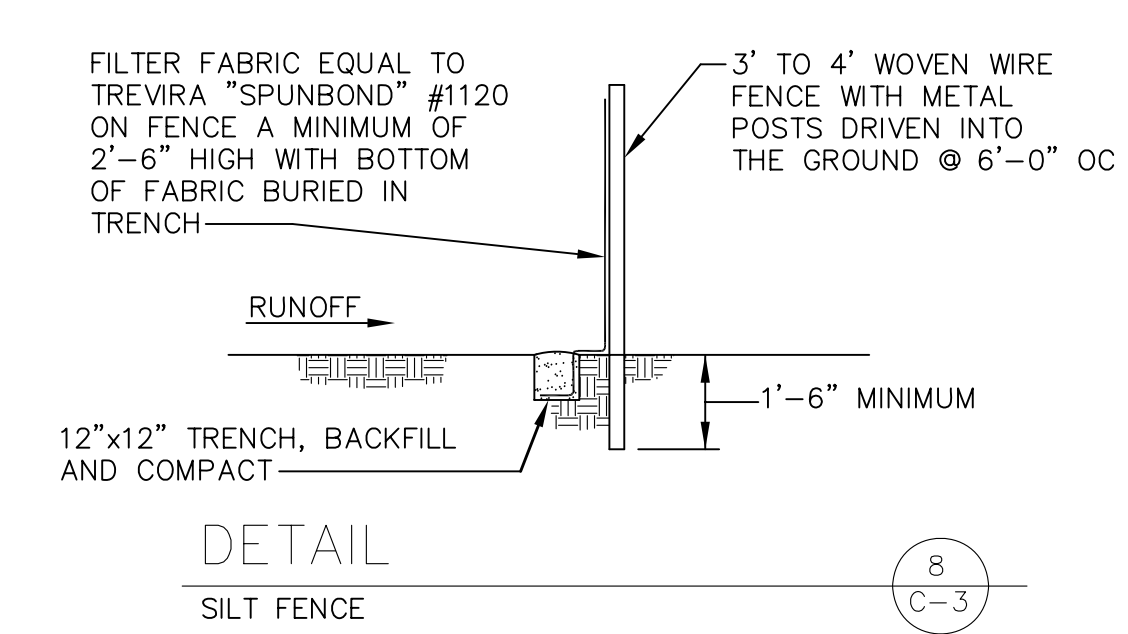


DETAIL  
PIPE GUARD

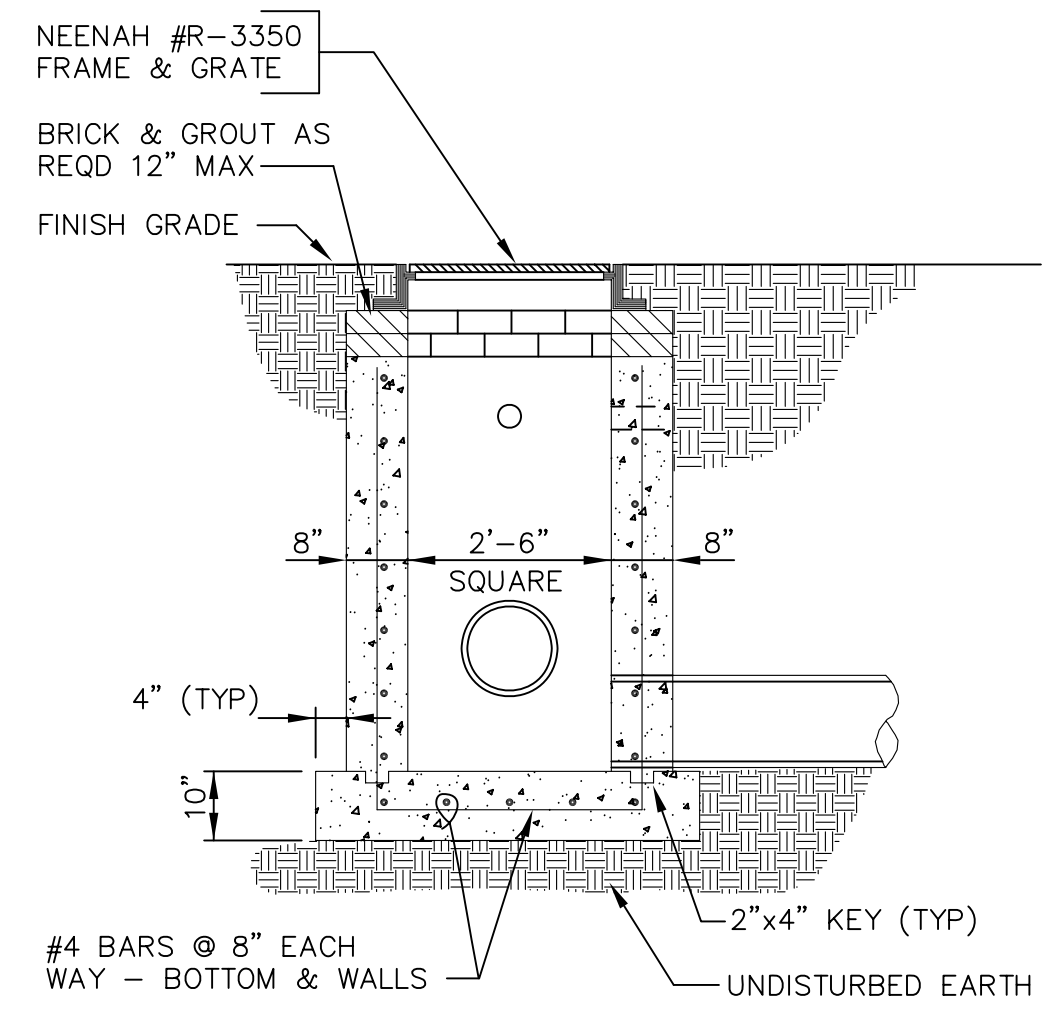


DETAIL  
CURB INLET

- ① CONCRETE BRICK OR SLAB BLOCK MAY BE USED IN PLACE OF PRECAST OR CAST-IN-PLACE CONCRETE. BRICK OR BLOCK SHOULD BE 4" MINIMUM THICKNESS BY HORIZONTAL REINFORCEMENT EVERY 18 INCHES. PAISE WITH 1/2" METAL JOIST AND JOIS.
- ② NOT USED
- ③ DOUBLE INLET FRAME, GRATE AND CURB PLATE - NEENAH R-3288-EZ OR APPROVED EQUAL
- ④ 3/4" X 1/2" X 1/4" STEEL BEAM (USE WITH SEPARATE OR BUILT-IN INLETS)
- ⑤ 4" MIN. DEPTH 4000 PSI AC CONCRETE WITH SMOOTH INVERT
- ⑥ 6" MIN. DEPTH 4000 PSI AC CONCRETE EXTENDED MIN. 6" BEYOND EXTERIOR OF BOX
- ⑦ 18" MINIMUM DIAMETER PIPE
- ⑧ SEAL ALL LIFTING HOLES AND JOINTS (INSIDE & OUT)

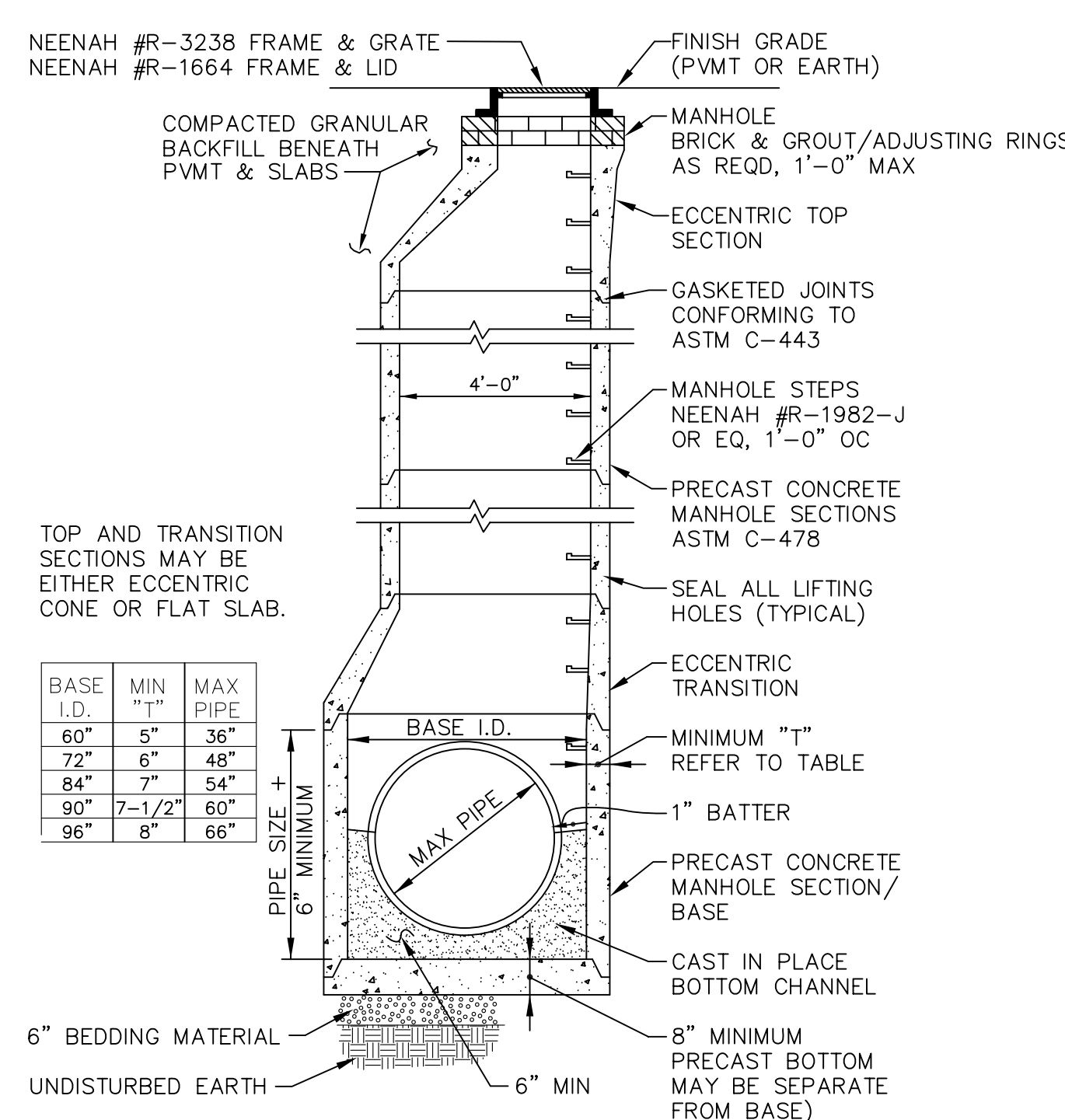


DETAIL  
SILT FENCE

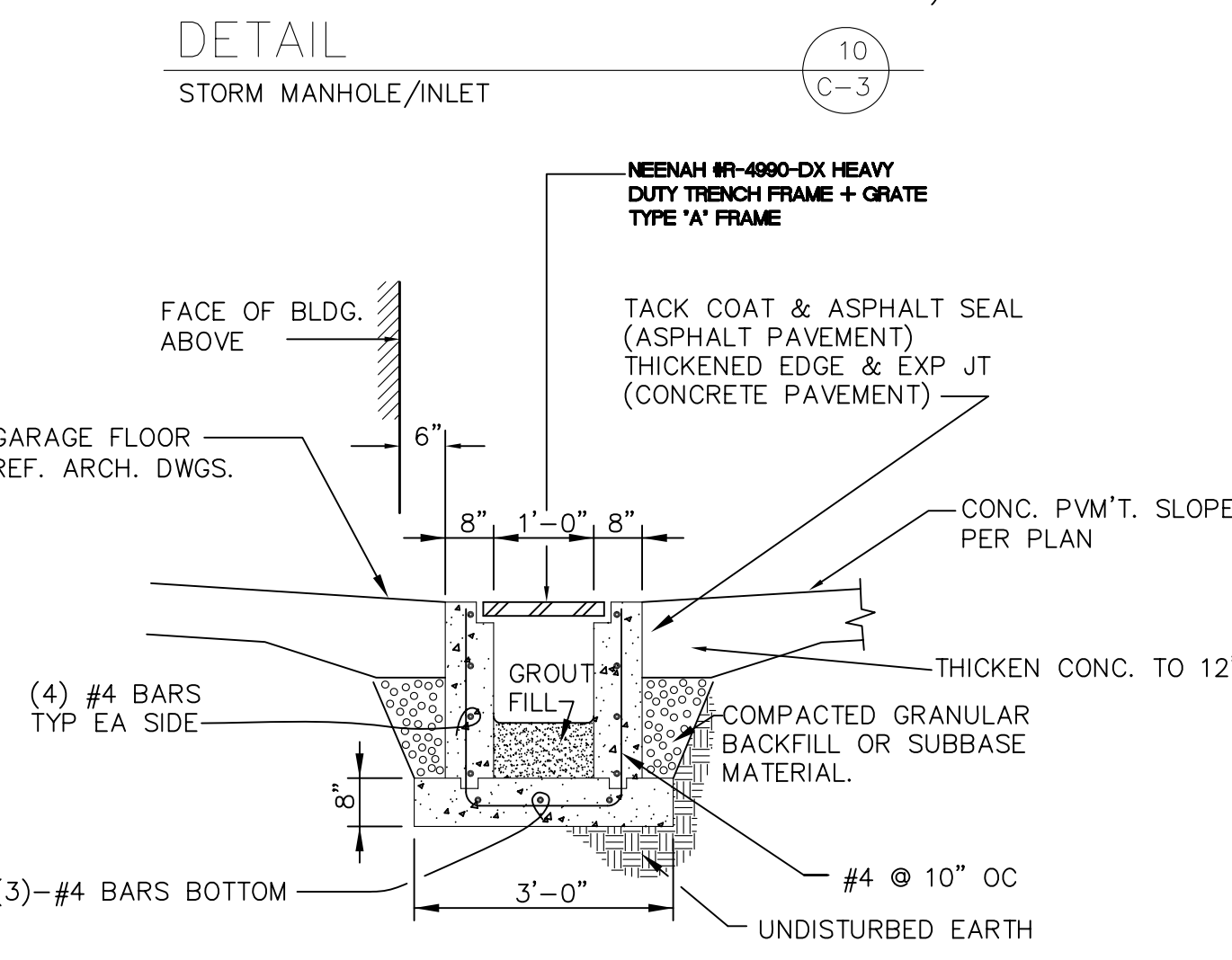


DETAIL  
STORM INLET

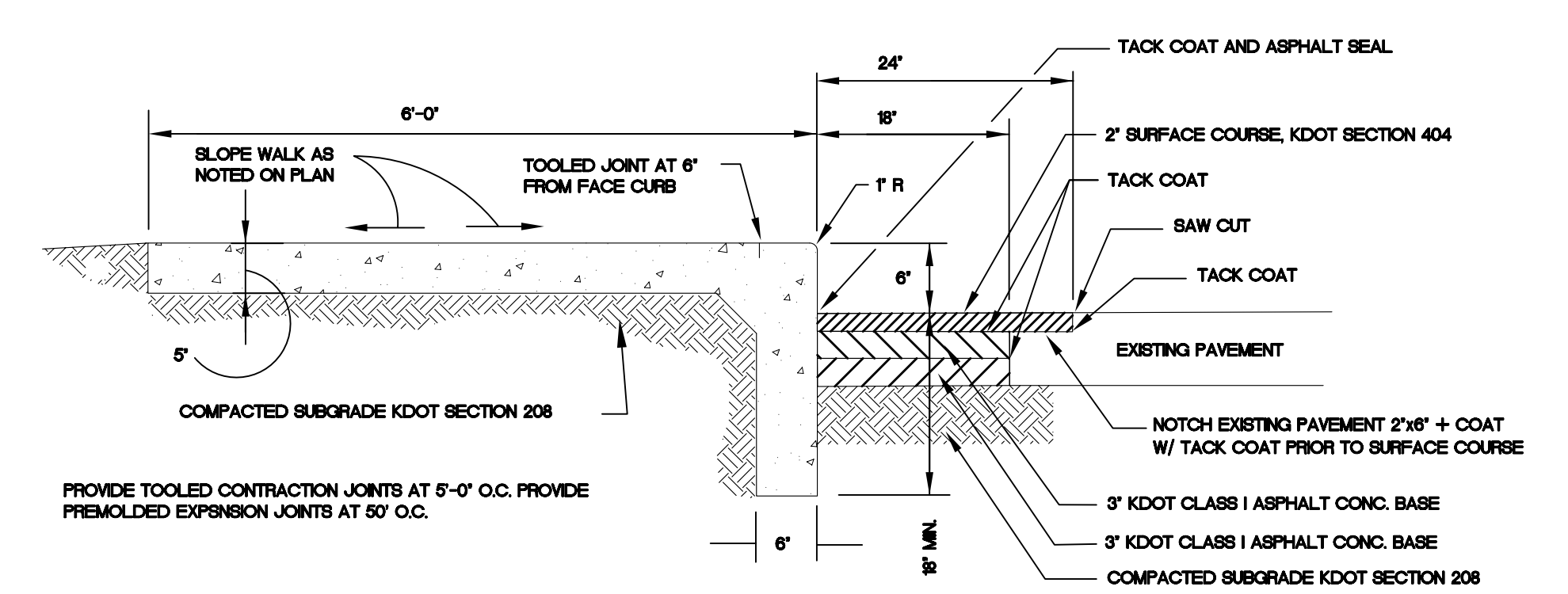
1. SEE PLAN FOR TOP ELEVATION, PIPE SIZE, INVERT, AND ORIENTATION.
2. PRECAST STRUCTURE EQUAL TO LOCAL OR STATE DEPARTMENT OF TRANSPORTATION STANDARDS MAY BE SUBSTITUTED FOR CAST IN PLACE PROVIDED FREE OPEN AREA OF SPECIFIED GRATE IS MAINTAINED.



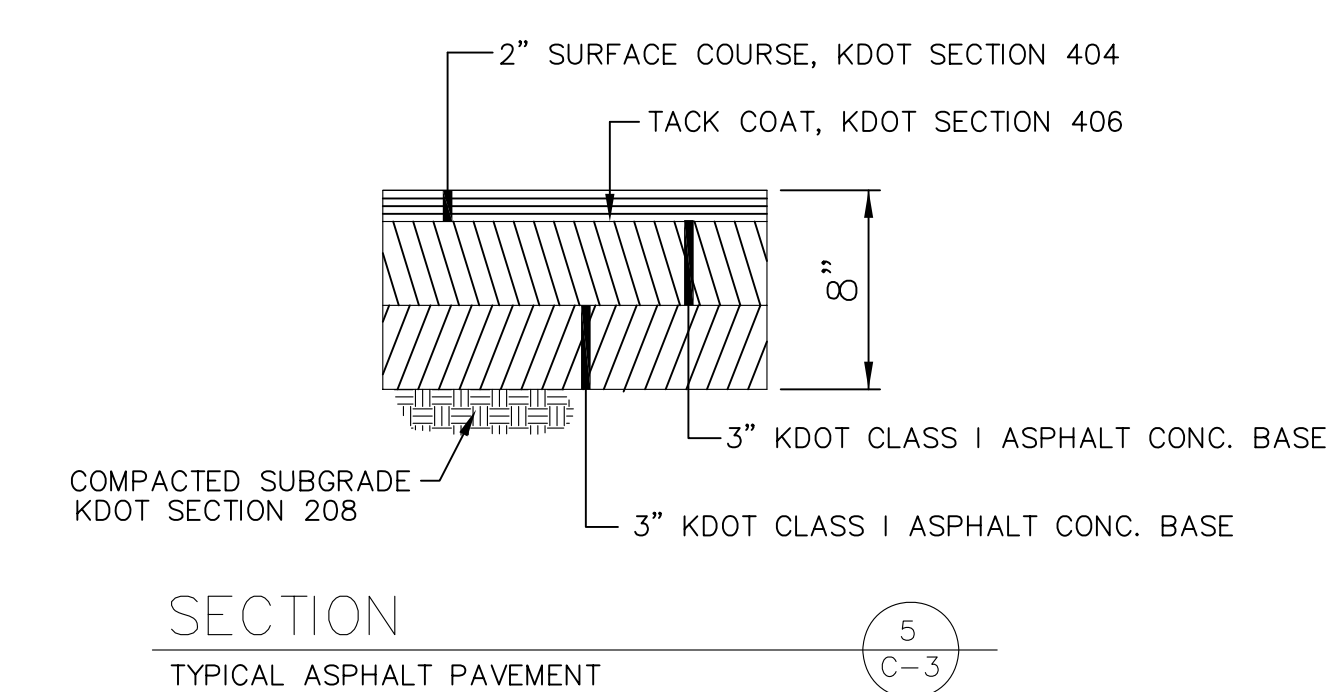
DETAIL  
SHALLOW MANHOLE (NON PAVED AREA)



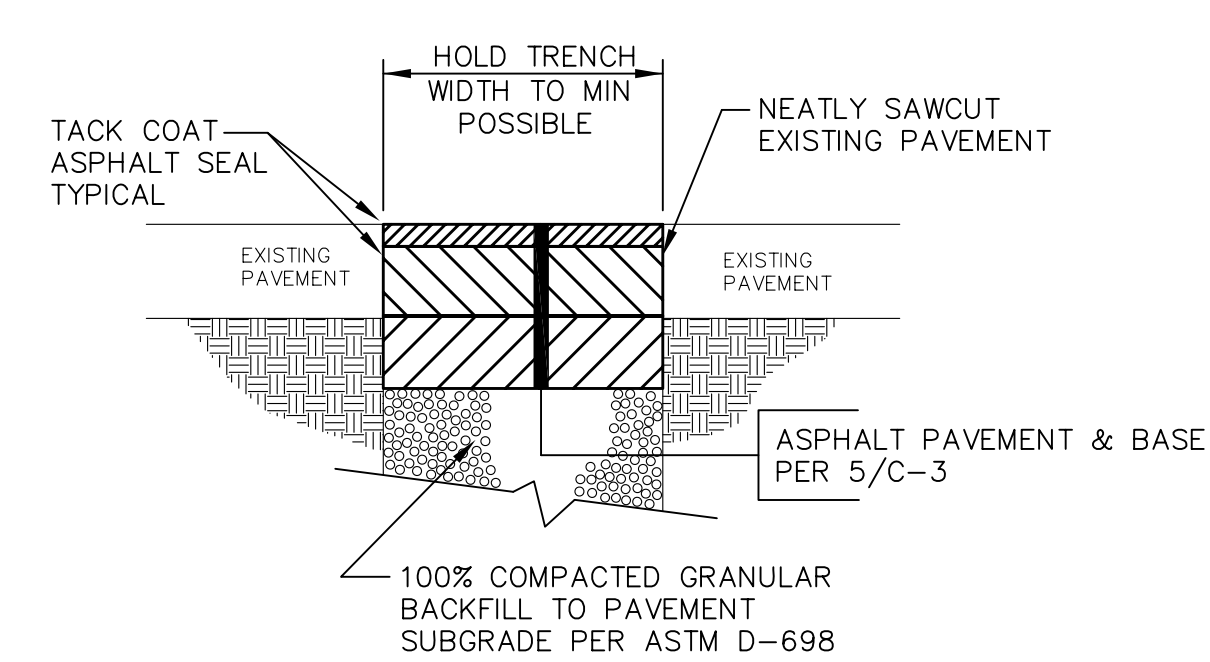
DETAIL  
TRENCH DRAIN



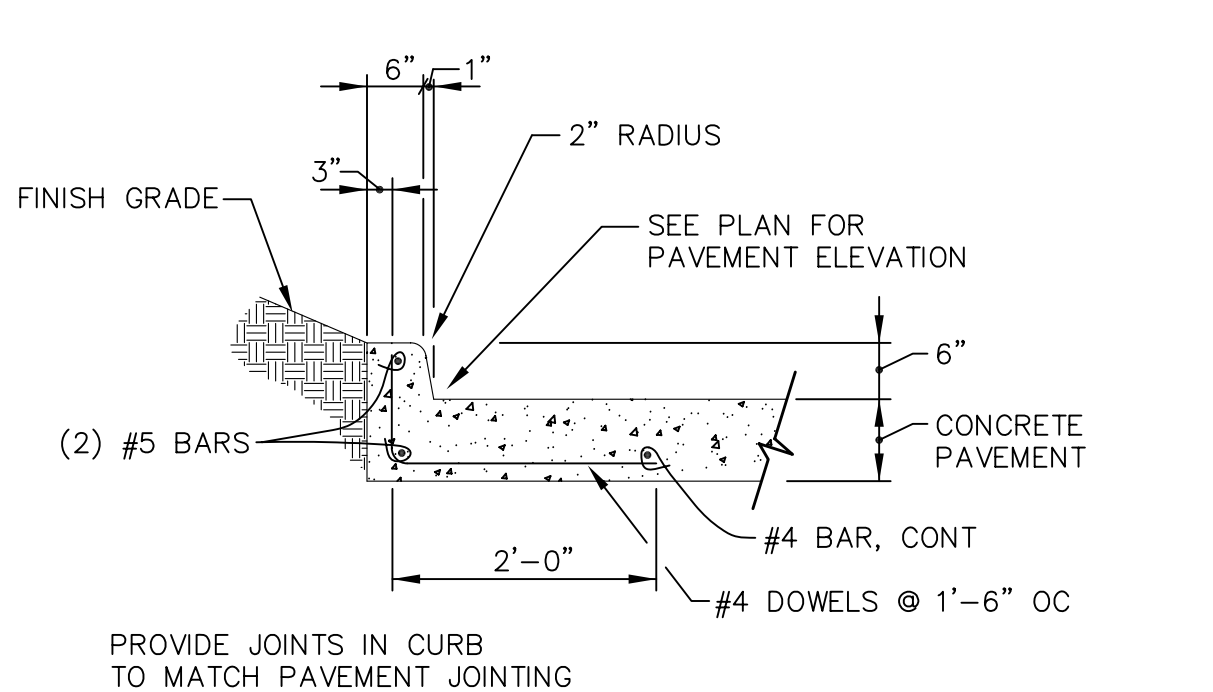
SECTION  
INTEGRAL CURB AND SIDEWALK DETAIL



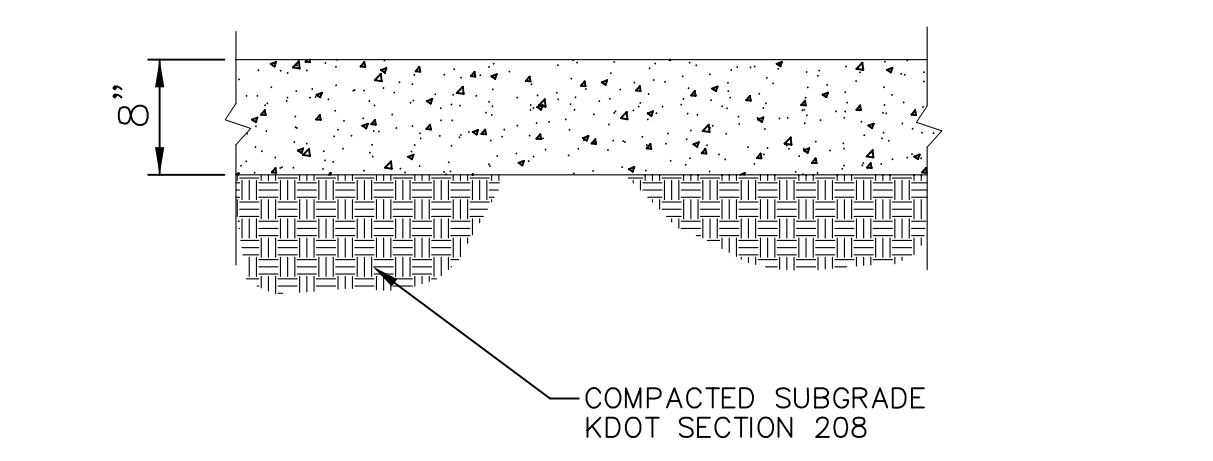
SECTION  
TYPICAL ASPHALT PAVEMENT



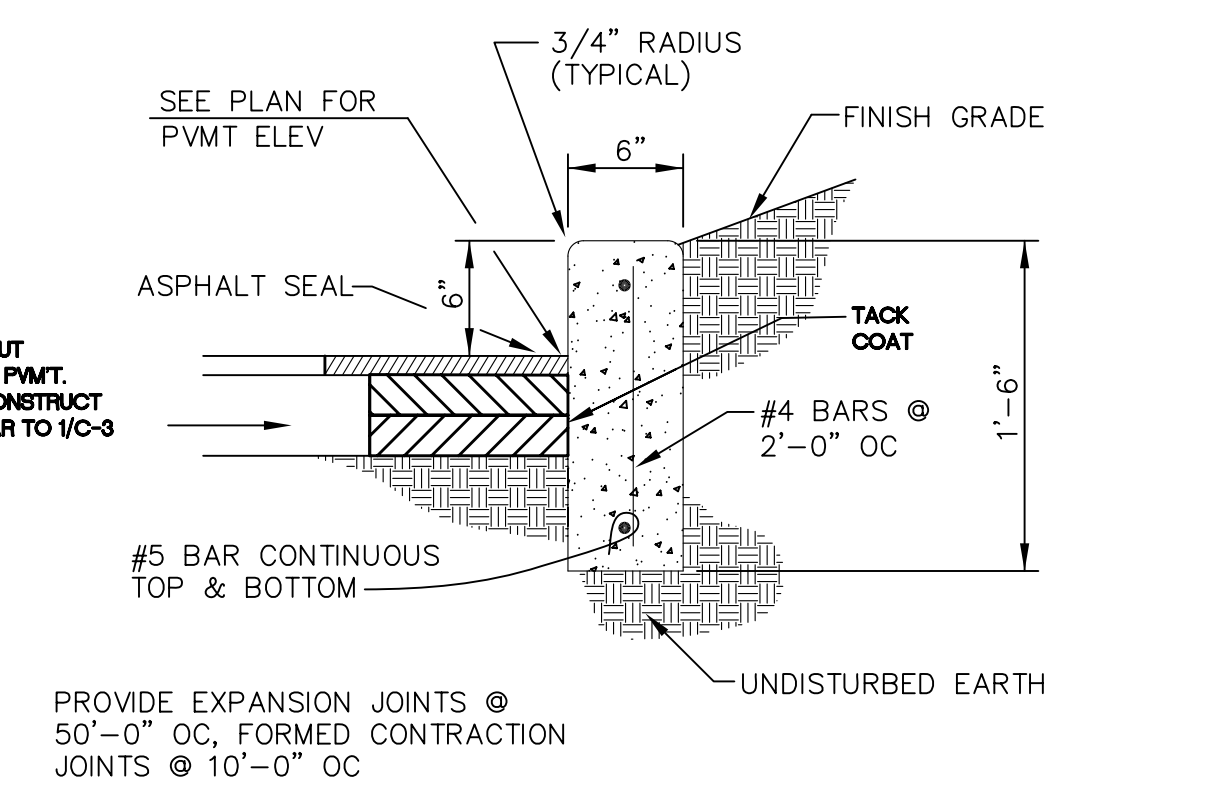
SECTION  
UTILITY TRENCH PAVEMENT RESTORATION



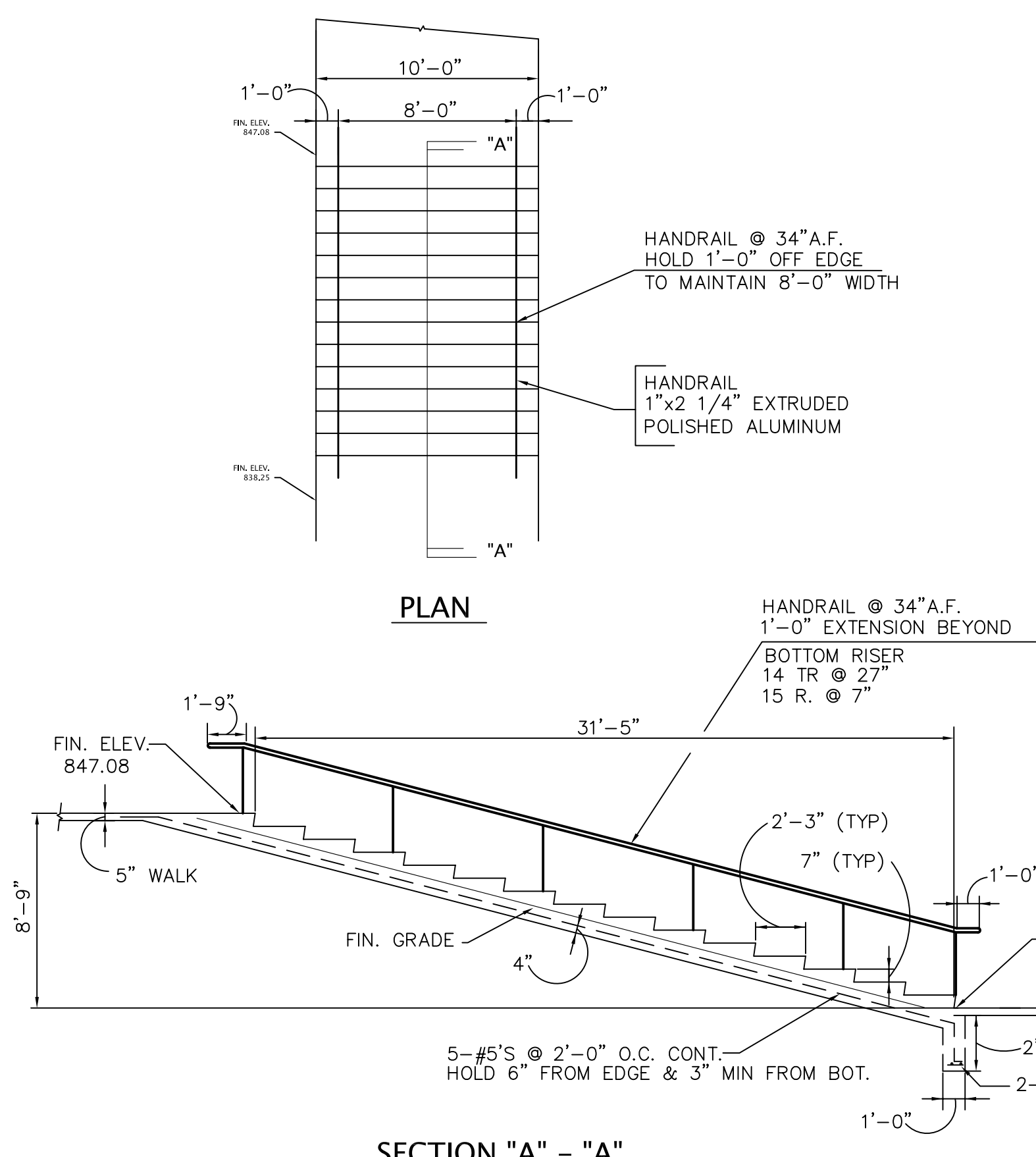
SECTION  
INTEGRAL CONCRETE CURB



SECTION  
TYPICAL CONCRETE PAVEMENT

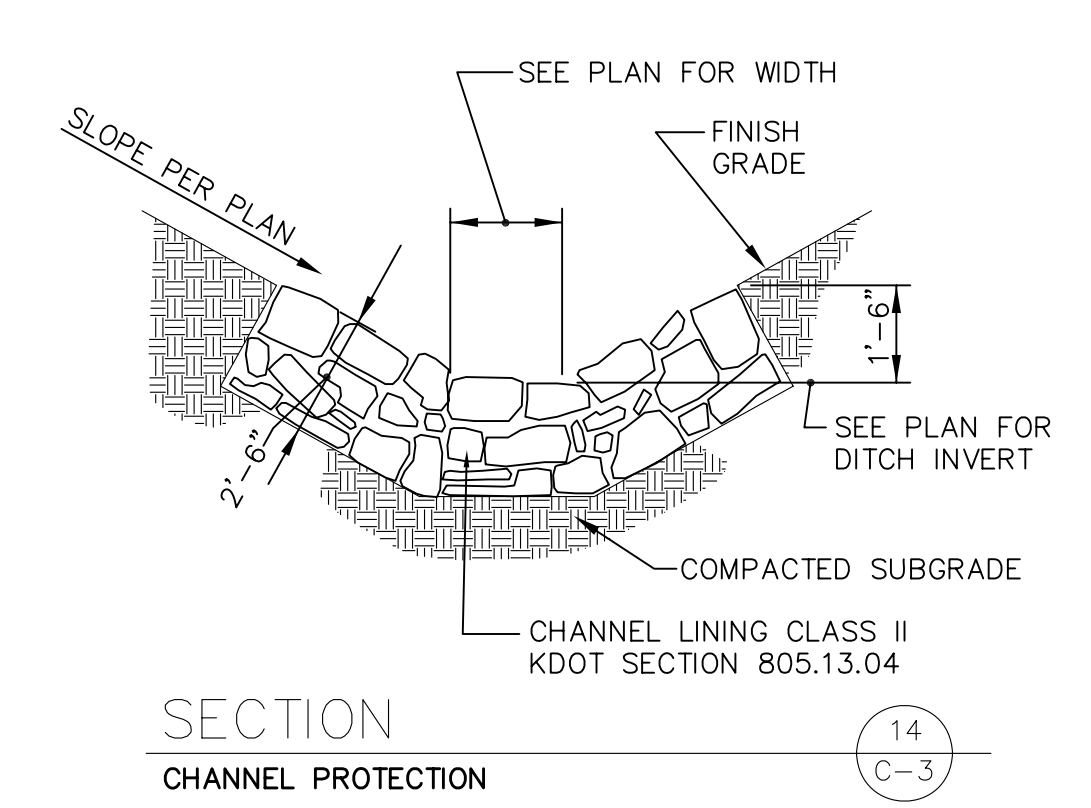


SECTION  
VERTICAL CONCRETE CURB

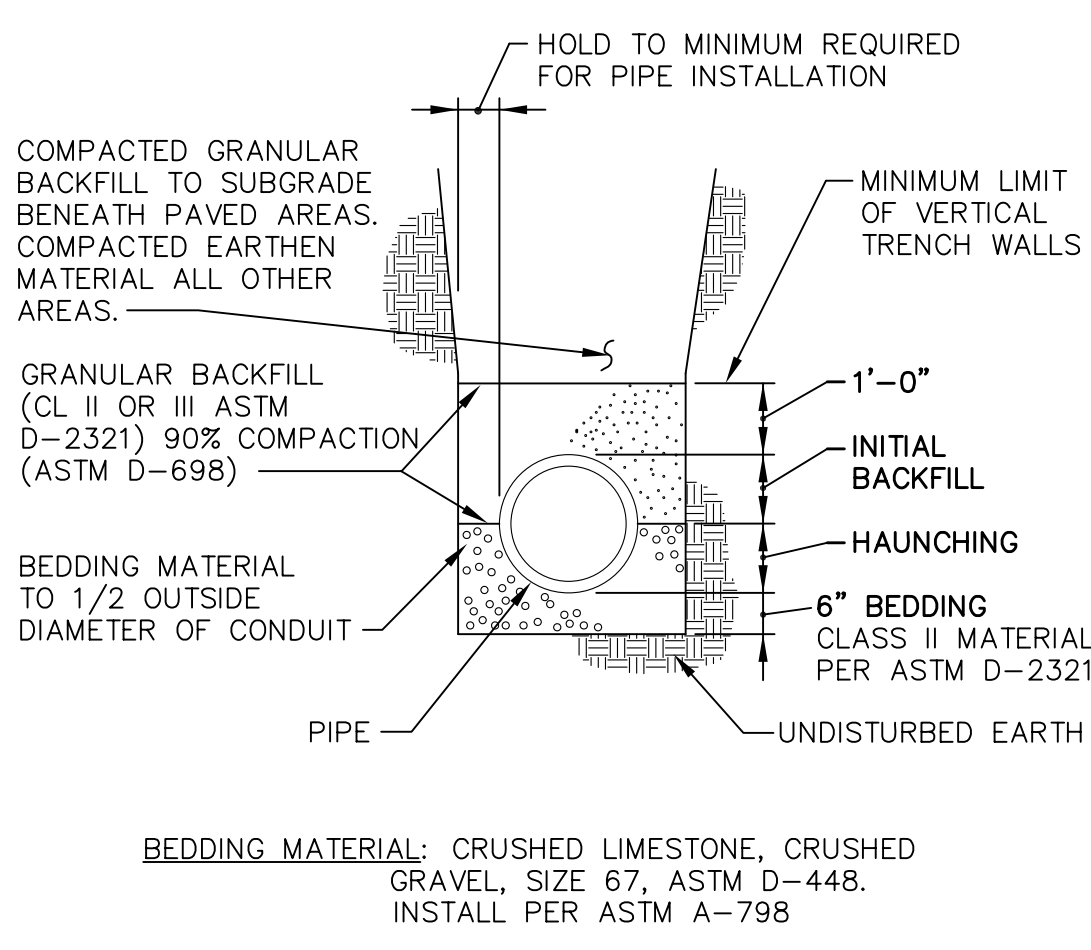


SECTION "A" - "A"

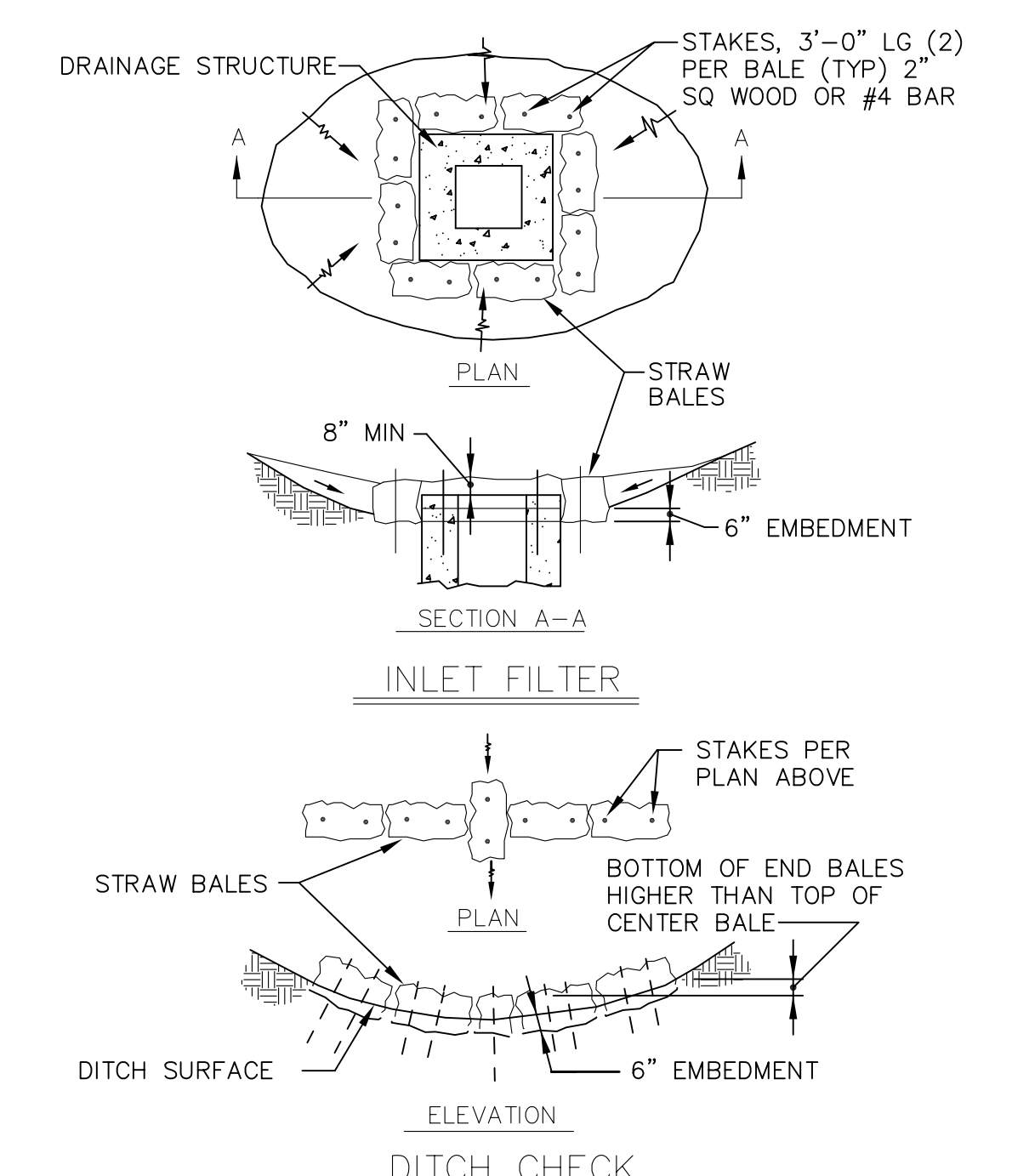
DETAIL  
EXTERIOR STAIRS - KENTON DRIVE



SECTION  
CHANNEL PROTECTION



SECTION  
FLEXIBLE PIPE BEDDING & BACKFILL



DETAIL  
DITCH CHECK



DETAIL  
STRAW BALE SEDIMENT CONTROL

**RECORD DRAWING**

REVISIONS	DATE	BID PACKAGE	ISSUED
1	ADDENDUM NO. 1	12/22/02	
2	RECORD DWG.	4/05/06	
3			
4			
5			
6			
7			
8			

<b>PARKING GARAGE NO. 2</b> <b>NORTHERN KENTUCKY UNIVERSITY</b> HIGHLAND HEIGHTS, KENTUCKY		RECORD DATE 4/05/06	DRAWING NO. <b>C-3</b>
<b>SITE DETAILS</b>		COMMONWEALTH OF KENTUCKY FINANCE AND ADMINISTRATION CABINET DEPARTMENT FOR FACILITIES MANAGEMENT DIVISION OF ENGINEERING FRANKFORT, KENTUCKY	REVIEWED DIV. OF ENGR.
DRAWN BY GEG		SCALE AS NOTED	ENGR. FILE NO. PNKU0590
CHECKED BY SAJ		AGENCY AUTHORIZED AGENT APPROVED FOR PROGRAM CONCEPT ONLY	DATE
ABE FILE NO. 025		DIVISION OF ENGINEERING APPROVED FOR PROGRAM CONCEPT ONLY	DATE
ARCHITECTS <b>Champlin/Haupt Inc.</b> 302 Farmington Drive, #101 Lexington, KY 40502 Tel: (606) 331-5595 Fax: (606) 331-5596		FOR INTENT ONLY	