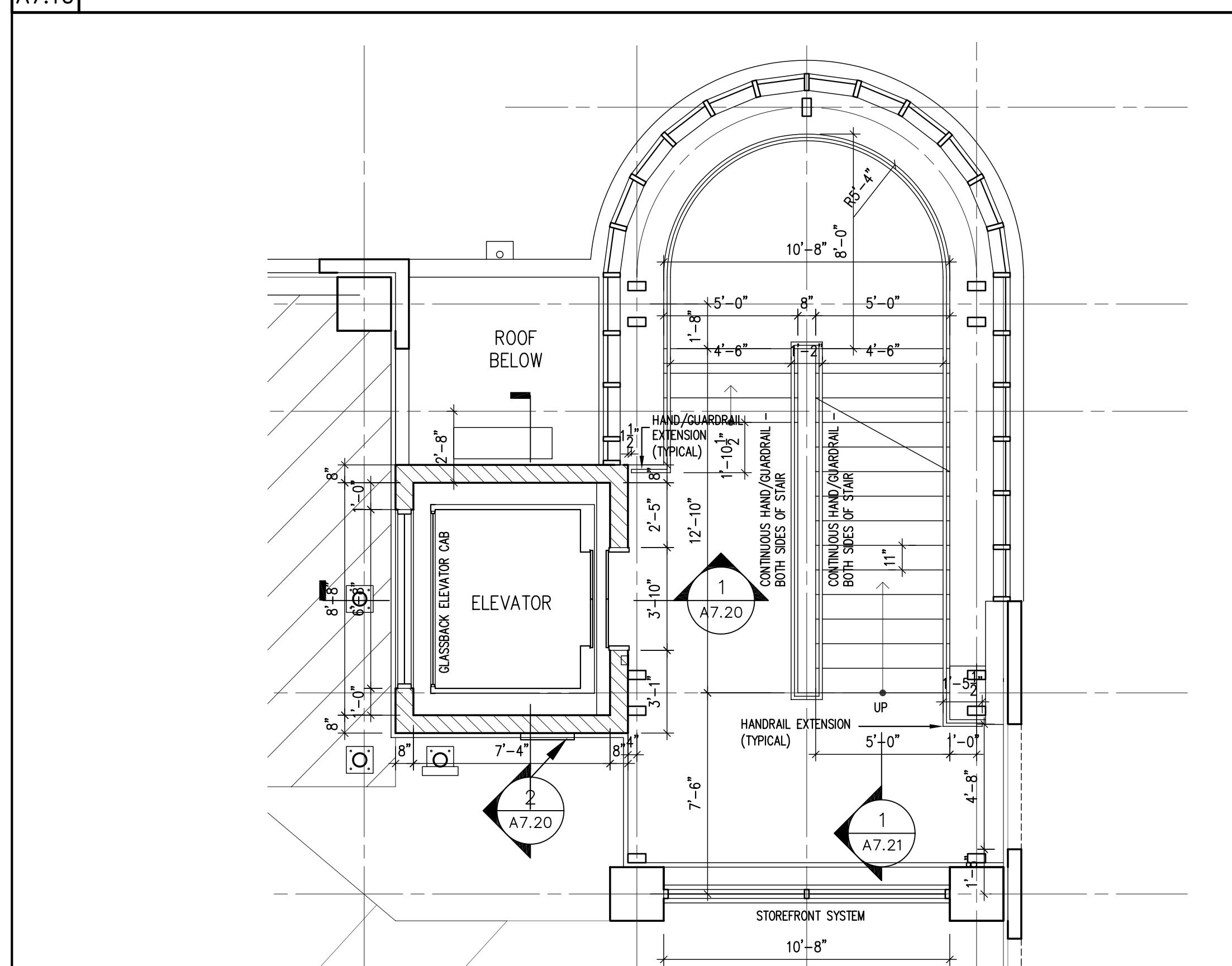
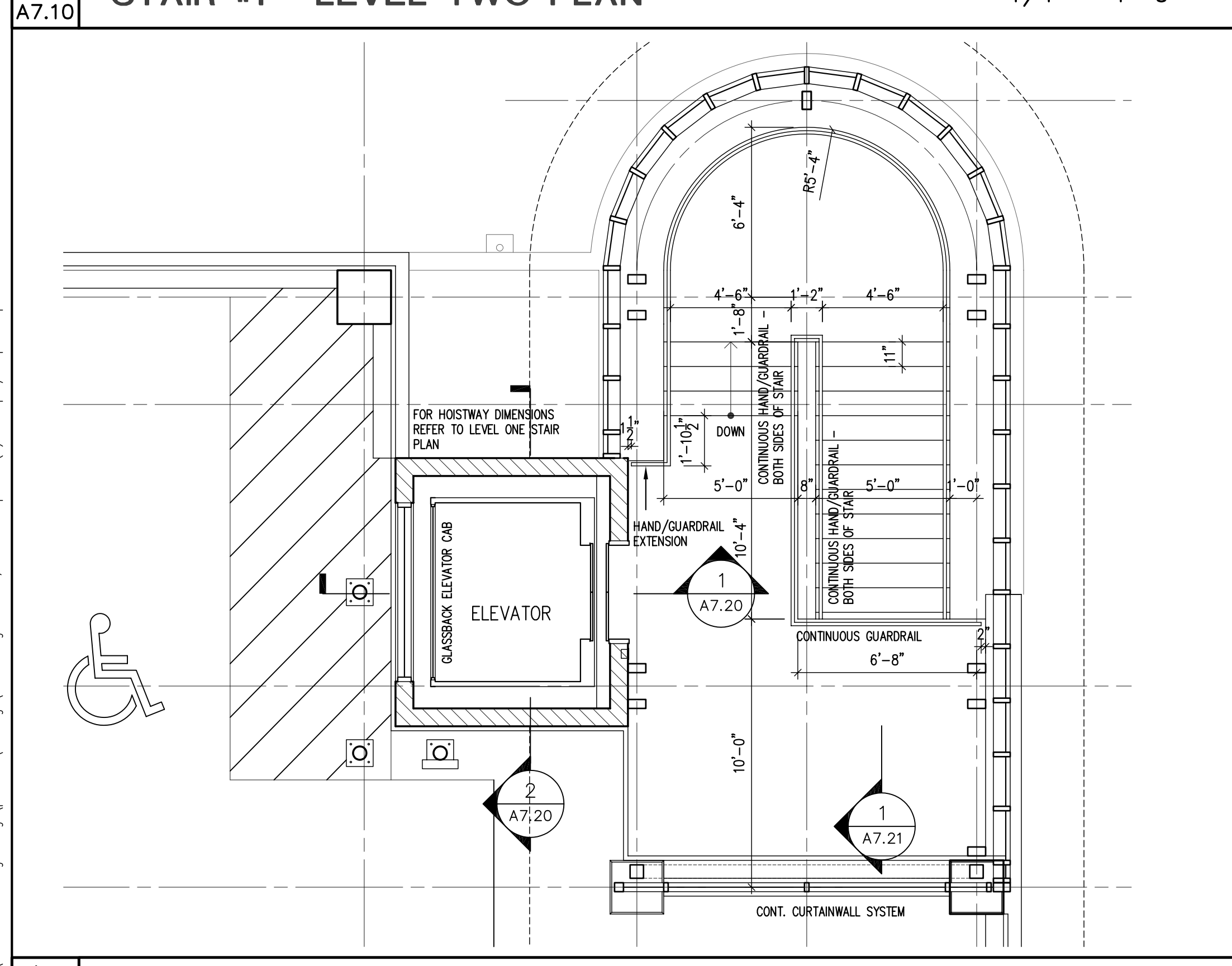


1a STAIR #1 - LEVEL ONE PLAN 1/4" = 1'-0"

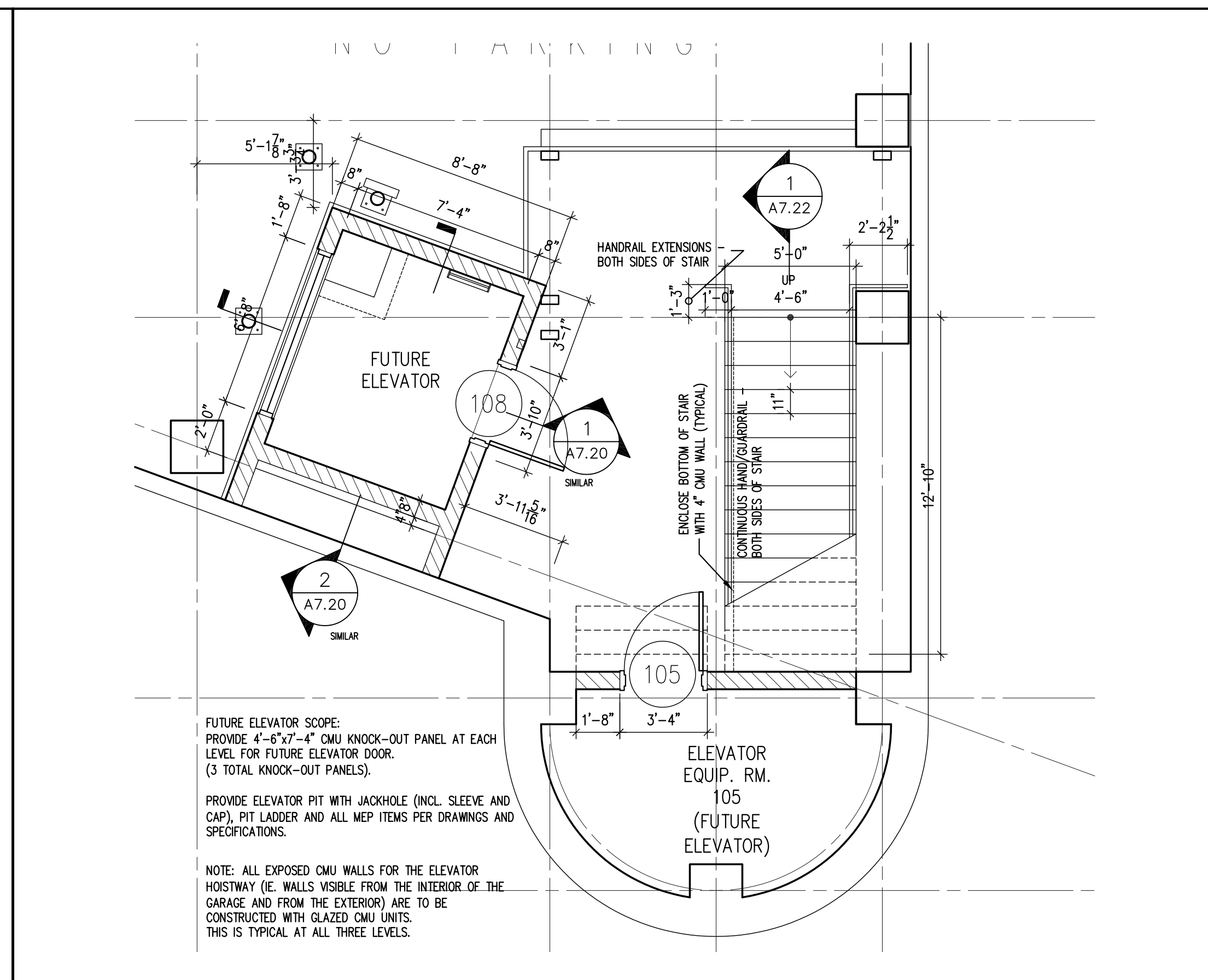


1b STAIR #1 - LEVEL TWO PLAN 1/4" = 1'-0"

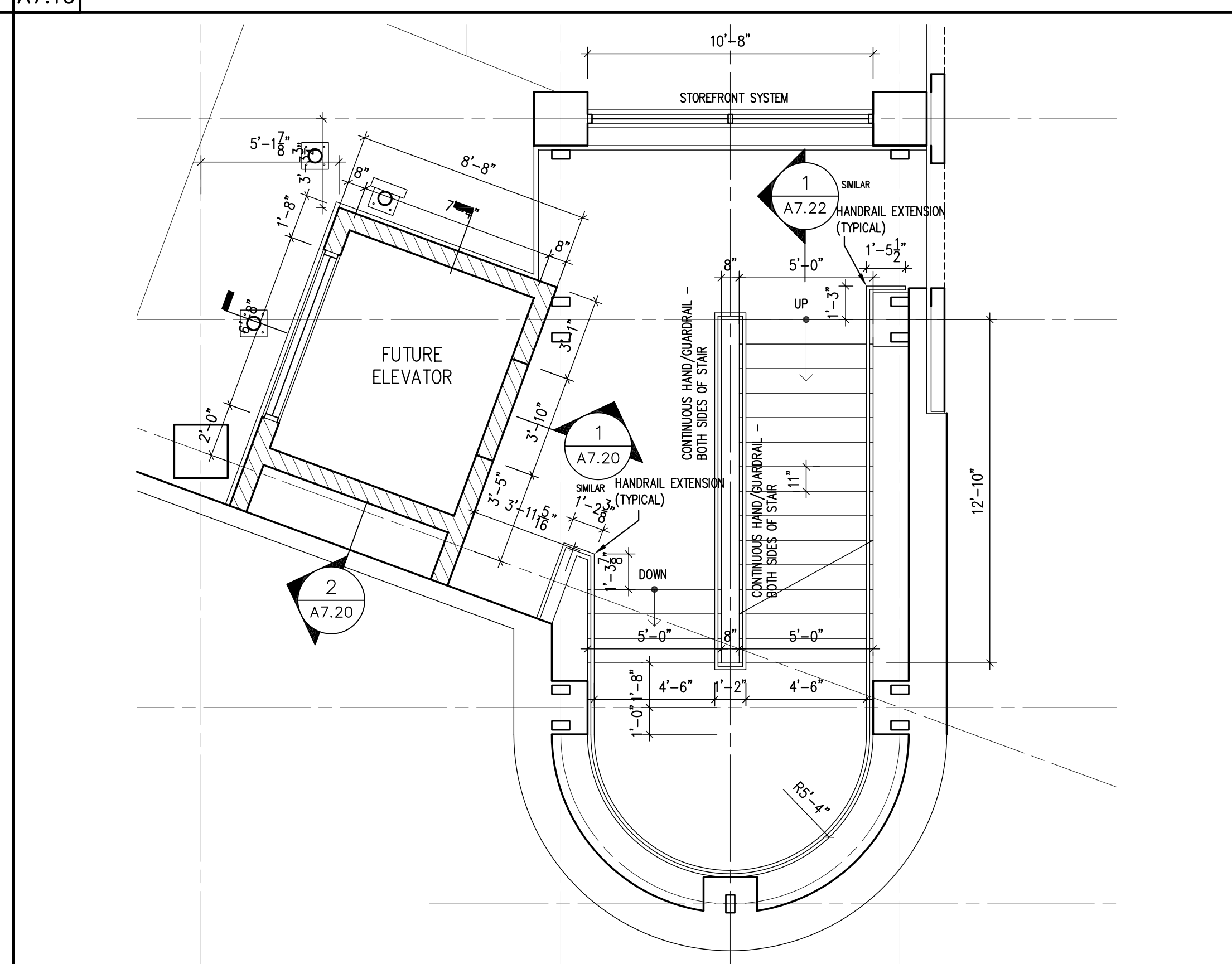


1c STAIR #1 - LEVEL THREE PLAN 1/4" = 1'-0"

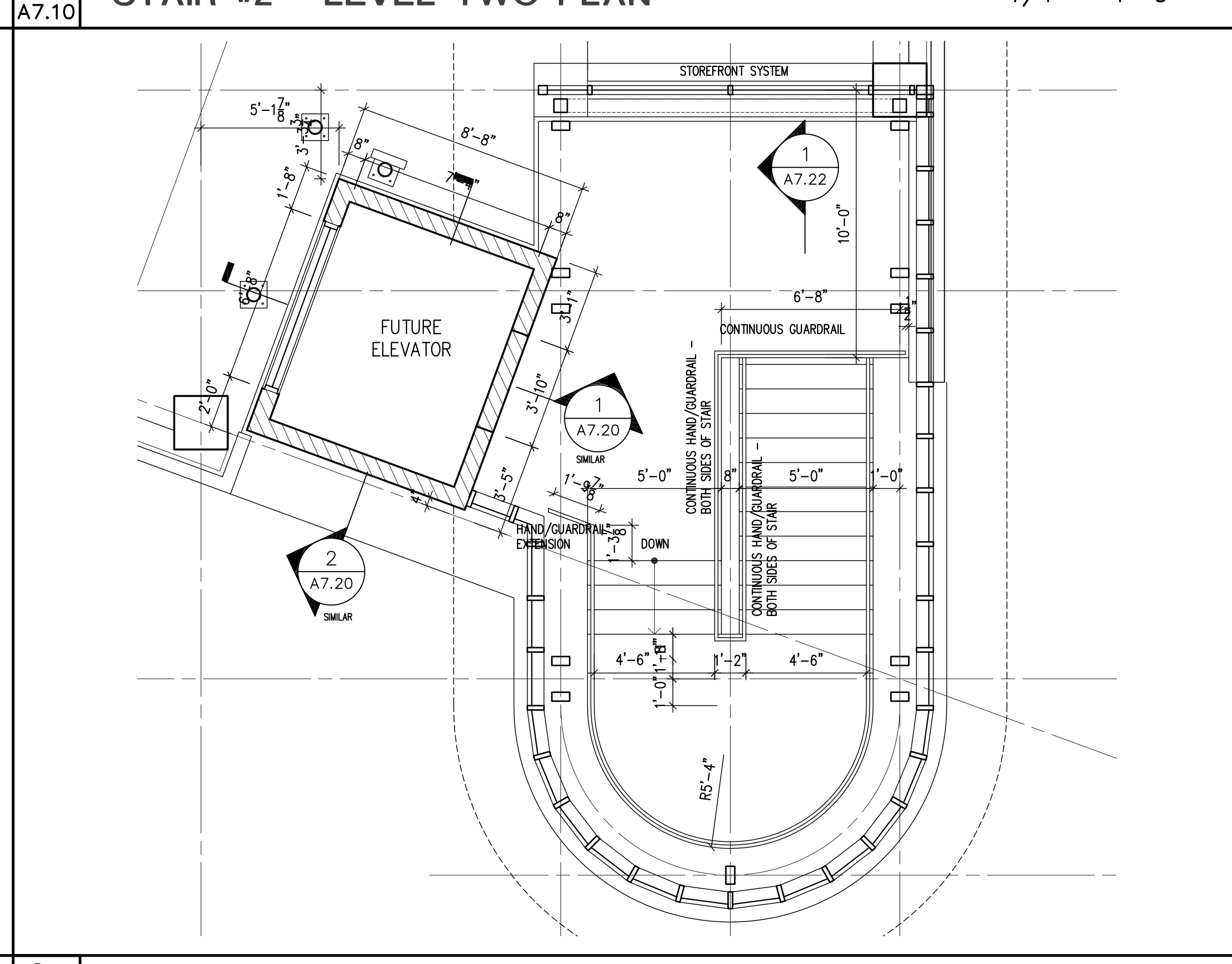
J:\A7\2880-00 Parking Garage\chase\Drawings\A7-10.dwg Jun 05, 2006 - 4:01pm - C:\Champlin\hault - ops



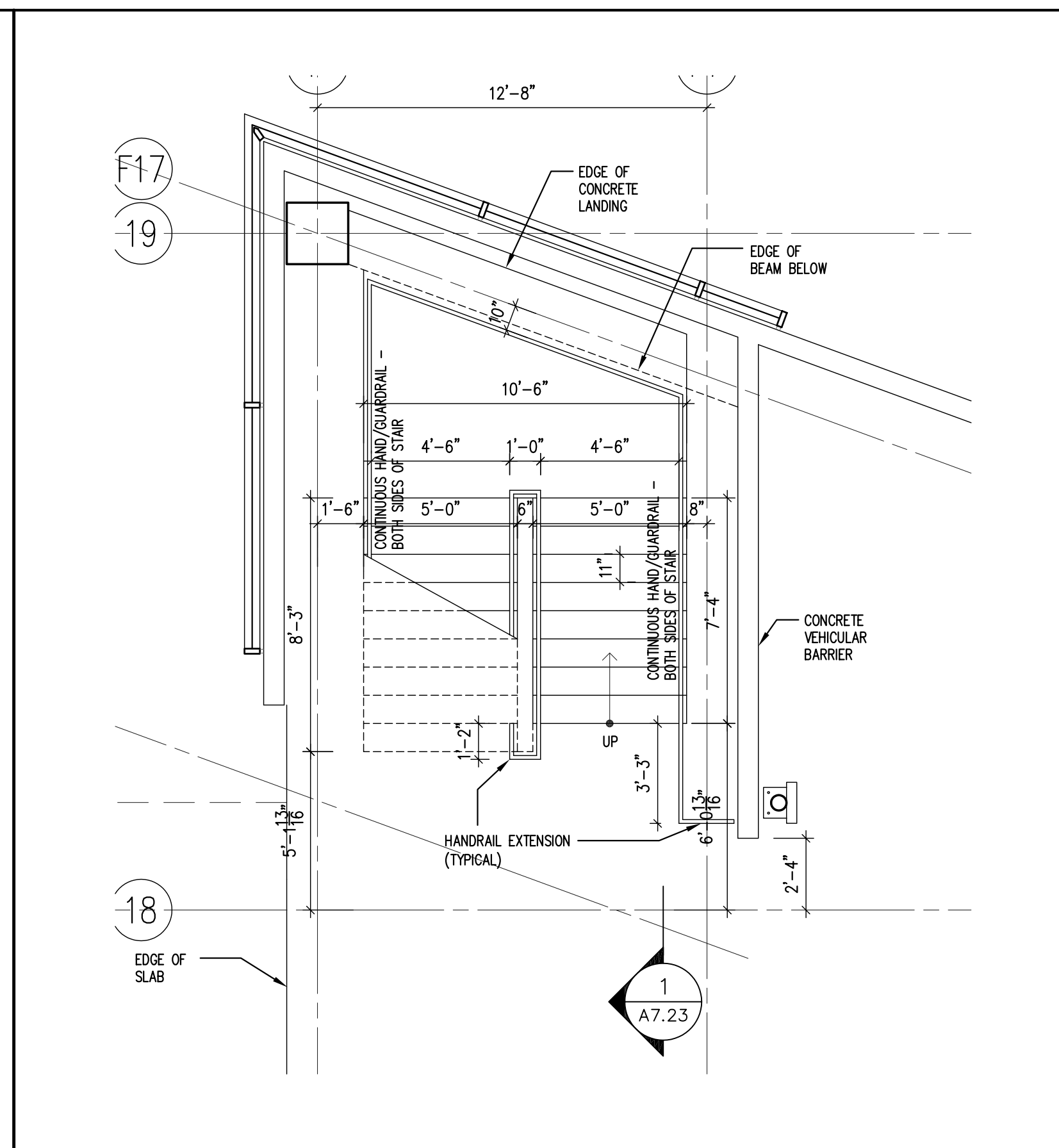
2a STAIR #2 - LEVEL ONE PLAN 1/4" = 1'-0"



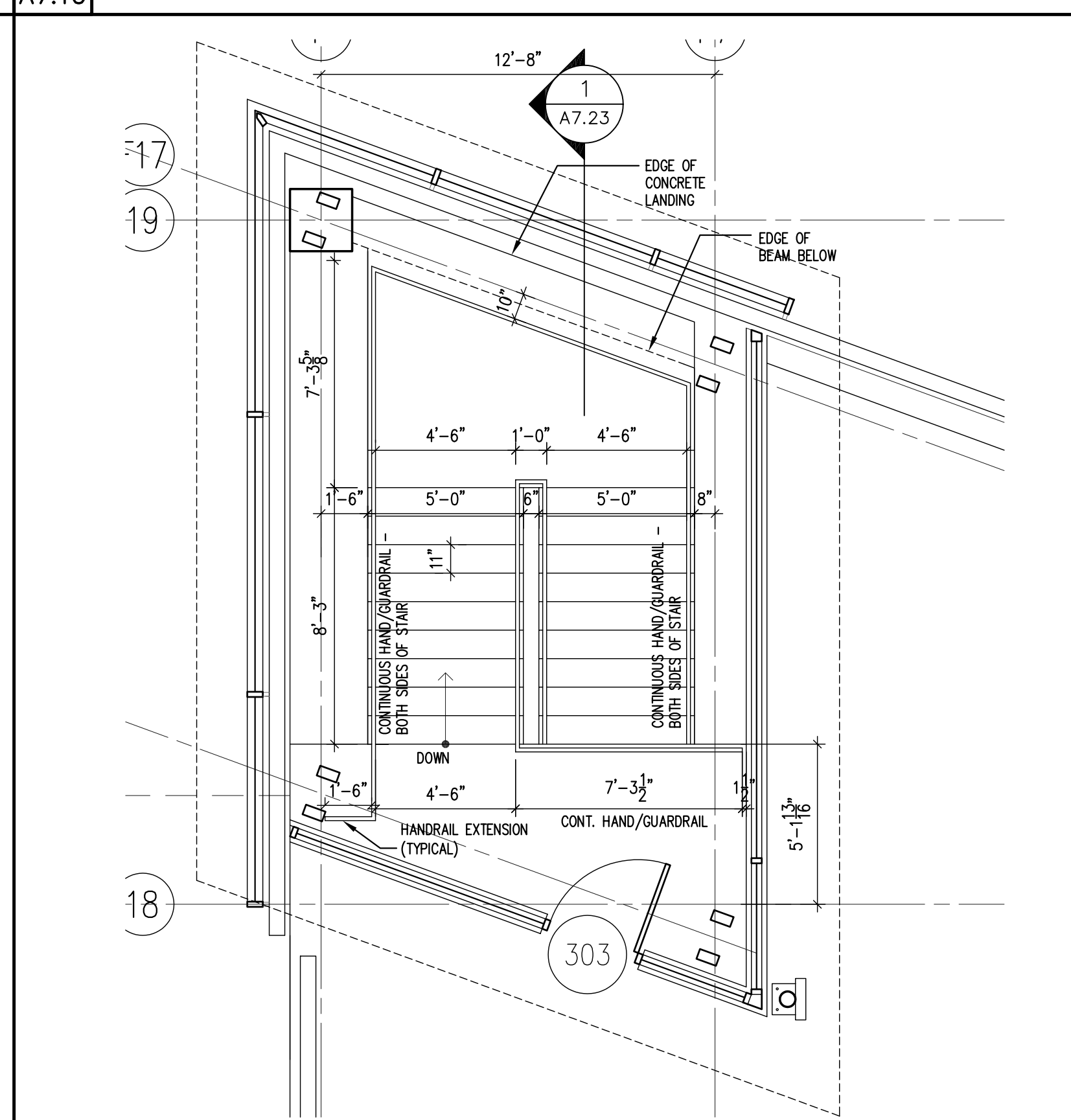
2b STAIR #2 - LEVEL TWO PLAN 1/4" = 1'-0"



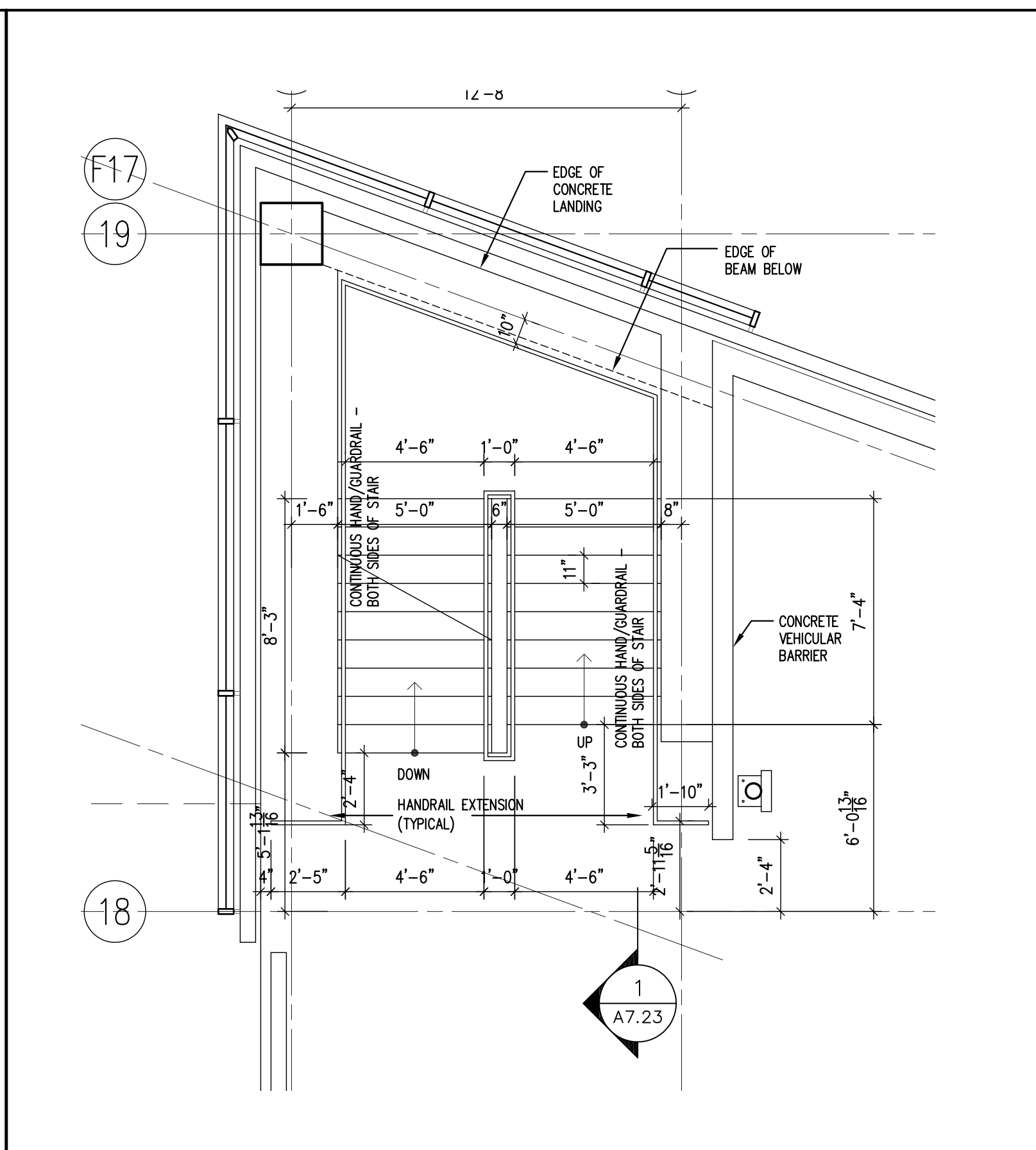
2c STAIR #2 - LEVEL THREE PLAN 1/4" = 1'-0"



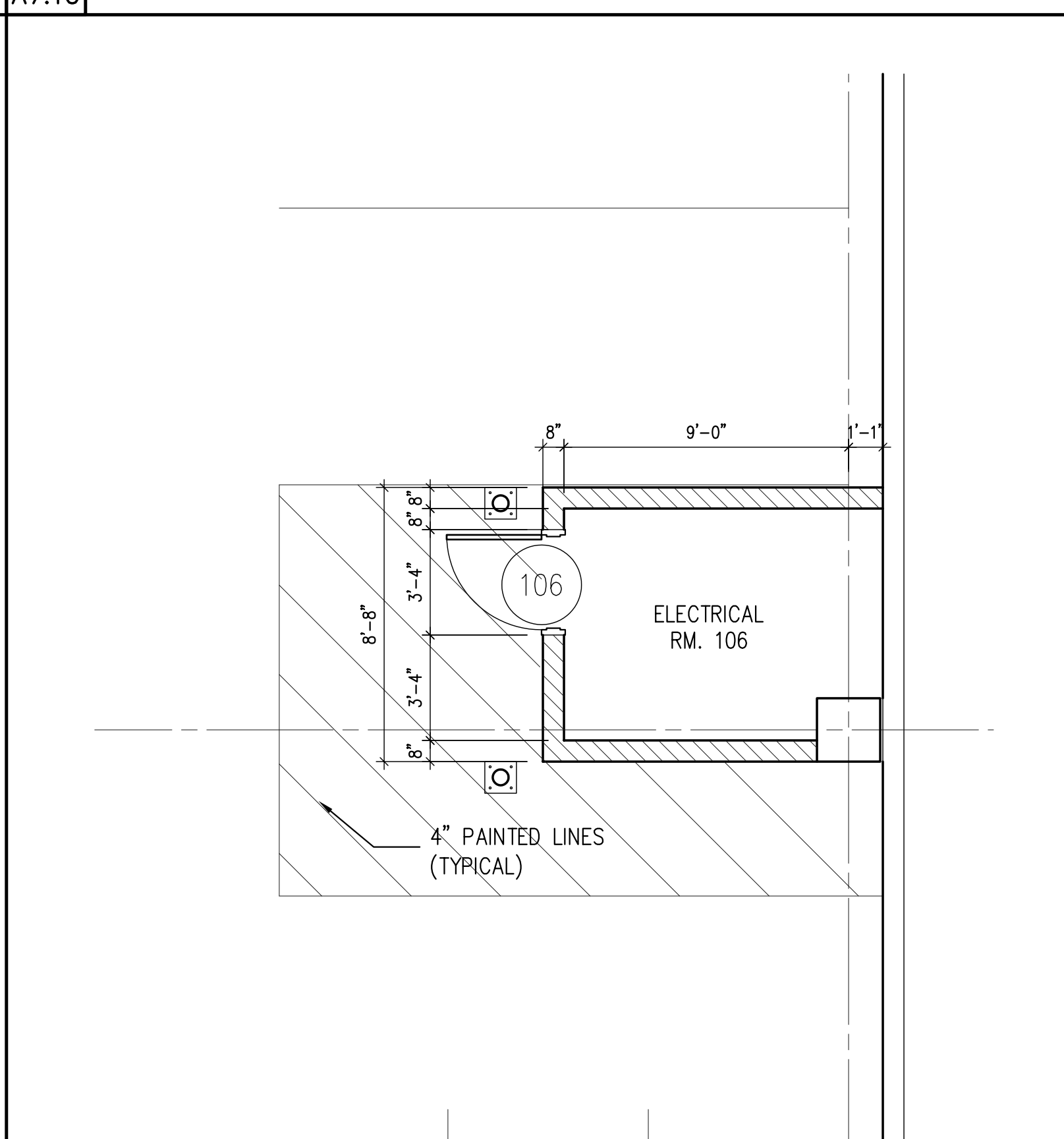
3a STAIR #3 - LEVEL ONE PLAN 1/4" = 1'-0"



3c STAIR #3 - LEVEL THREE PLAN 1/4" = 1'-0"



3b STAIR #3 - LEVEL TWO PLAN 1/4" = 1'-0"



4 ELECTRICAL ROOM 1/4" = 1'-0"

NOTE:  
REFER TO DRAWING A2.20 FOR ADDITIONAL  
PLAN INFORMATION AND DIMENSIONS

		<b>PARKING GARAGE No. 2</b> <b>NORTHERN KENTUCKY UNIVERSITY</b> HIGHLAND HEIGHTS, KENTUCKY	
REVISIONS 1 RECORD DRAWINGS 6/20/05 2 3 4 5 6 7 8		<b>1/4" SCALE STAIR PLANS</b> <b>A7.10</b> COMMONWEALTH OF KENTUCKY FINANCE AND ADMINISTRATION CABINET DEPARTMENT FOR FACILITIES MANAGEMENT DIVISION OF ENGINEERING FRANKFORT, KENTUCKY Champlin/Hault Inc. Architects 202 Farmington Drive, Ste. 101 Louisville, KY 40204 Tel: (502) 331-5999 Fax: (502) 331-5998	
AGENCY AUTHORIZED AGENT DIVISION OF ENGINEERING		APPROVED FOR PROGRAM CONCEPT ONLY DATE _____ APPROVED FOR PROGRAM CONCEPT ONLY DATE _____	